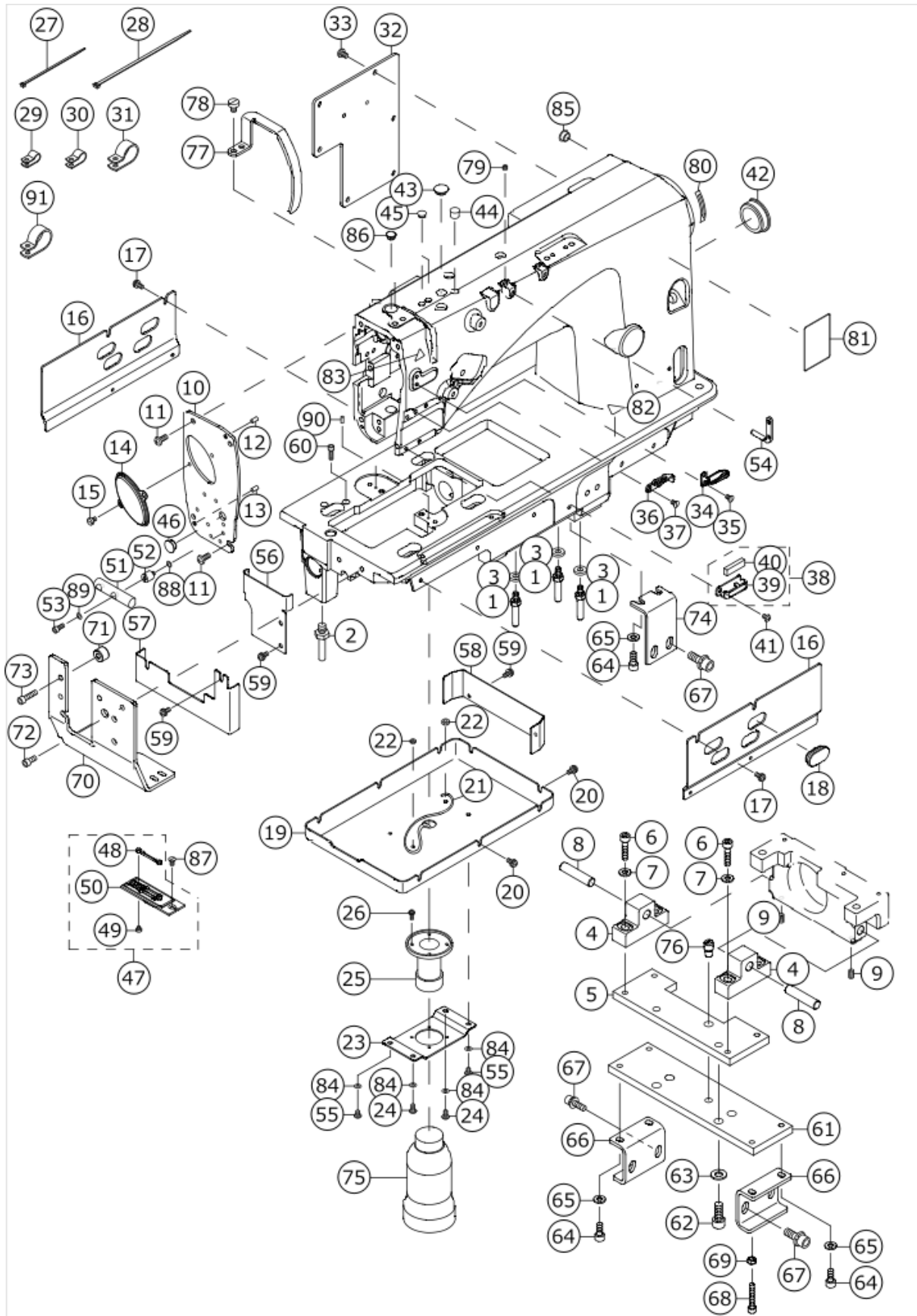


# APW-895N

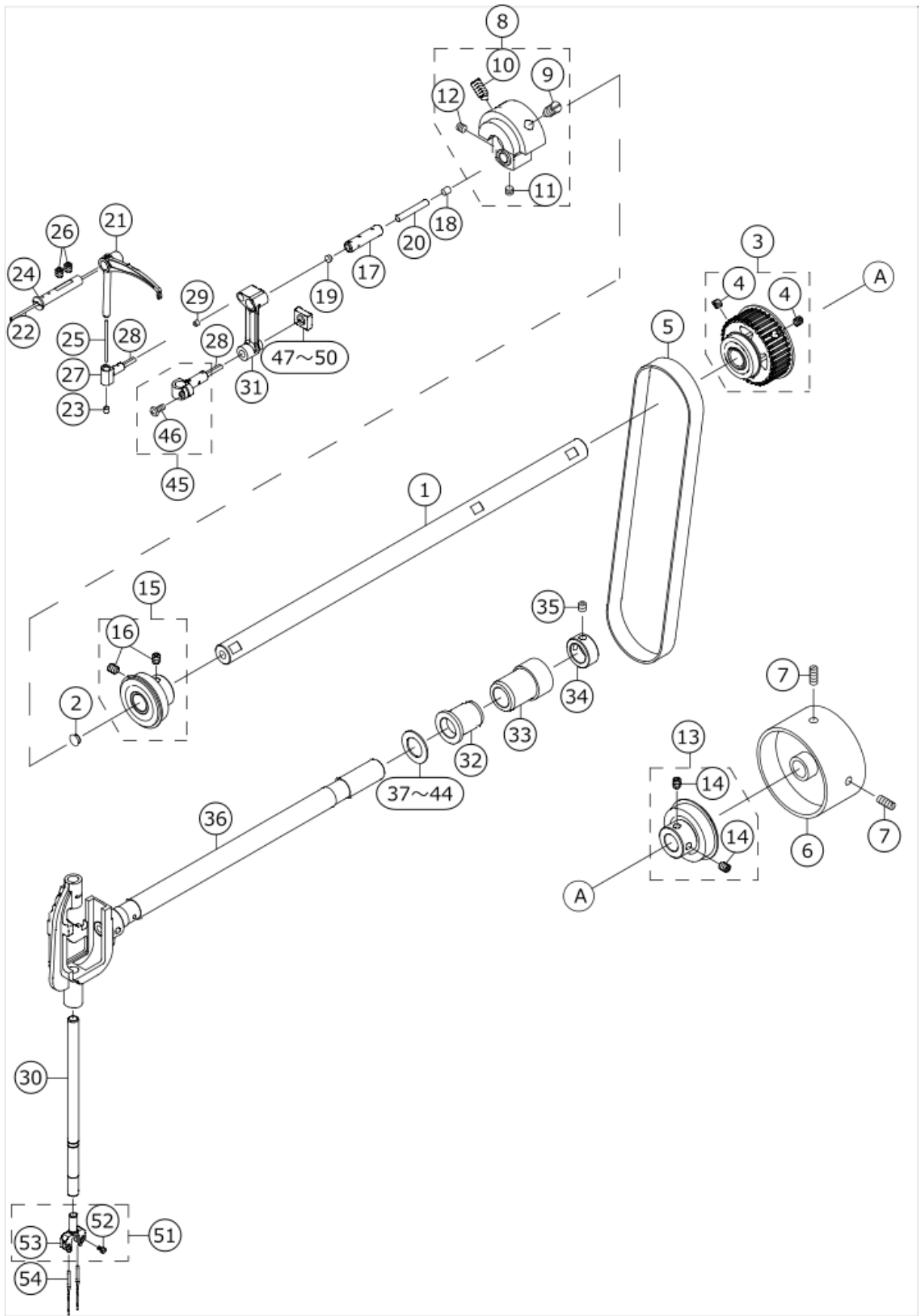
## FRAME & MISCELLANEOUS COVER COMPONENTS



No.	品番	品名	備考	子部品	消耗品	個数
1	40028555	STUD				3.00
2	40035180	BED_SCREW_STUD_B				1.00
3	40036690	WASHER				3.00
4	40033410	HEAD_BASE_A				2.00
5	40034481	HEAD_BASE_PLATE_B				1.00
6	SM6062502TN	HEXAGONAL-HOLE BOLT				4.00
7	WP0641601SC	WASHER				4.00
8	40033825	HEAD_FIXED_SHAFT				2.00
9	SM8051002TP	SCREW M5 L=10				2.00
10	40025640	FACE_PLATE_A				1.00
11	SM4050855SP	SCREW				4.00
12	PS0400082KP	SPRING PIN				1.00
13	PS0400082KP	SPRING PIN				1.00
14	40025641	FACE_PLATE_B				1.00
15	SM6040650TP	SCREW				2.00
16	40033441	OIL_COVER_A				2.00
17	SL4041091SC	SCREW M4 L=10				6.00
18	40028877	FACE_COVER_CAP				4.00
19	40033442	OIL_COVER_B				1.00
20	SL4041091SC	SCREW M4 L=10				6.00
21	CQ202000000	OIL WICK				1.00
22	NM6040003SC	NUT M4				1.00
23	40033443	OIL_MANAGEMENT_BRACKET				1.00
24	SM4040855SP	SCREW				5.00
25	B8202205000	OIL MANAGEMENT				1.00
26	SL4031081SC	SCREW M3 L=10				4.00
27	EA9500B0100	CABLE BAND				15.00
28	EA9500B0200	CABLE BAND 150				5.00
29	HX00150000C	CABLE CLIP				2.00
30	HX00150000D	CABLE CLIP				4.00
31	HX00150000K	CABLE CLIP				2.00
32	40028766	REAR_PLATE				1.00
33	SM4050855SP	SCREW				5.00
34	40029078	THREAD_GUIDE_UPPER				1.00
35	SM1040750TP	SCREW M4 L=7				1.00
36	40039765	THREAD_GUIDE_M				1.00
37	SM1040750TP	SCREW M4 L=7				1.00
38	40031060	THREAD_GUIDE_F_ASM.				1.00
39	40033821	THREAD_GUIDE_F		*		1.00
40	40034444	FELT		*		1.00
41	SM4040655SP	SCREW M4 L=6				1.00
42	22619100	CAP				1.00
43	TA1250406R0	RUBBER PLUG D=12.5 L=4				4.00
44	TA0950806R0	RUBBER PLUG				1.00
45	TA0750704R0	RUBBER PLUG				2.00
46	TA1050504R0	RUBBER PLUG				1.00
47	40046301	NEEDLE_PLATE_10_ASM.				1.00
48	16403008	CONTER KNIFE RIGHT		*		1.00
49	SS6080320SP	SCREW 1/8-44 L=2.5		*		2.00
50	40078201	NEEDLE_PLATE_10		*		1.00

51	40026344	ROCK_SHAFT				1.00
52	40069615	FEED_BASE_SPACER				2.00
53	SM6041002TP	SCREW M4 L=10				2.00
54	22920706	TWO EYELET				2.00
55	SM4040655SP	SCREW M4 L=6				2.00
56	40042292	BED_OIL_COVER_A				1.00
57	40042293	BED_OIL_COVER_B				1.00
58	40042294	BED_OIL_COVER_C				1.00
59	SL4041091SC	SCREW M4 L=10				6.00
60	SM6041402TN	SCREW M4X0.7 L=14				2.00
61	40034482	HEAD_BASE_PLATE_A				1.00
62	SM6082002TN	SCREW M8 L=20				4.00
63	WP0841601SC	WASHER 8.4X17.4X1.6				4.00
64	SM6061402TN	BOLT				6.00
65	WP0641601SC	WASHER				6.00
66	40038253	FIXING_PLATE				2.00
67	SL6082092TN	BOLT				6.00
68	SM6053052TN	SCREW				4.00
69	NM6050001SC	NUT M5				4.00
70	40034480	HEAD_FRONT_BASE				1.00
71	40033444	FRONT_BASE_SPACER				2.00
72	SM6051400SP	SCREW				2.00
73	SM6052010SC	SCREW M5X0.8 L=20				2.00
74	40034479	HEAD_ROCK_PLATE				1.00
75	B9121012000	OIL CAN				1.00
76	40023180	FIXED_PIN				1.00
77	40028245	THREAD_TAKE_UP_LEVER_COVER				1.00
78	SM6060800SP	SCREW M6 L=8				1.00
79	SM8050412TP	SCREW M5 L=4				2.00
80	CM500300001	DIRECTION LABEL				1.00
81	CM301200001	SAFETY LABEL_S				1.00
82	CM300200002	CAUTION LABEL(25)				1.00
83	CM300200001	ATTENTION SEAL				1.00
84	WP0430800SD	WASHER M4				4.00
85	TA1050504R0	RUBBER PLUG				1.00
86	TA0800504R0	PLUG D=8 L=4.5				1.00
87	SM1040870TP	SCREW				2.00
88	WP0501016SD	WASHER 5X10.5X1				2.00
89	WP0450846SP	WASHER				2.00
90	PH0300085S0	PIN				2.00
91	HX00150000L	CABLE CLIP				2.00

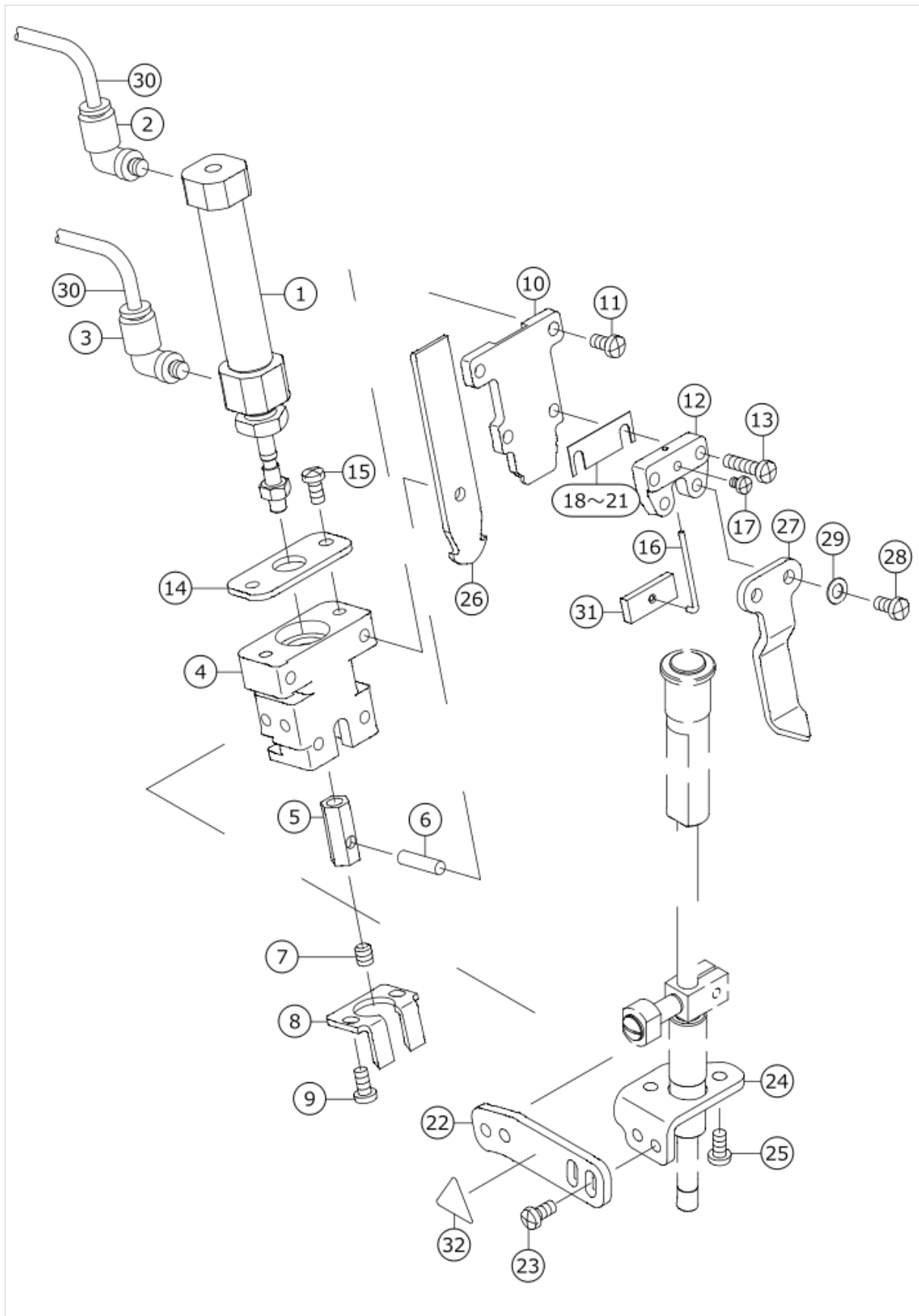
# MAIN SHAFT & THREAD TAKE-UP LEVER COMPONENTS



No.	品番	品名	備考	子部品	消耗品	個数
1	40024436	MAINSHAFT				1.00
2	TA0750404R0	PLUG D=7.5 L=3.5				1.00
3	40029048	ASSY_MAINSHAFT_BEARING_2				1.00
4	SM8060612TP	SCREW M6 L=6		*		4.00
5	40028652	TIMING_BELT				1.00
6	40050540	HAND_WHEEL				1.00
7	SM8061550TP	SCREW M6 L=15				2.00
8	40031864	ASSY_COUNTER_WEIGHT				1.00
9	40004171	COUNTER_WEIGHT_SCREW		*		1.00
10	SM8081652TP	SCREW M8 L=16		*		1.00
11	SM8060552TP	SCREW M6 L=5		*		1.00
12	SM8060612TP	SCREW M6 L=6		*		1.00
13	40029049	ASSY_MAINSHAFT_BEARING_3				1.00
14	SM8060812TP	SCREW M6 L=8		*		2.00
15	40029047	ASSY_MAINSHAFT_BEARING				1.00
16	40010417	BEARING_BUSH_SCREW		*		2.00
17	40029964	NEEDLE_BAR_CRANK_PIN				1.00
18	TA0490601R0	PLUG D=4.9X5.5 L=6				1.00
19	TA0500301R0	PLUG 5X5.8 L=3				1.00
20	CQ303000000	OIL WICK				0.02
21	40041107	TAKE_UP_LEVER_E				1.00
22	CQ202000000	OIL WICK				0.04
23	22810907	RUBBER PLUG				1.00
24	22605307	THREAD TAKE-UP LEVER PIN				1.00
25	CQ202000000	OIL WICK				0.15
26	SM8060612TP	SCREW M6 L=6				2.00
27	40027951	TAKE_UP_LEVER_THRUST_PIN				1.00
28	CQ252000000	OIL WICK				0.02
29	TA0370301R0	PLUG D=3.7X4.4 L=3				1.00
30	40033463	NEEDLE_BAR				1.00
31	40022110	NEEDLE_BAR_CRANK_ROD				1.00
32	40023568	BUSHING				1.00
33	40023569	BUSHING				1.00
34	CS1701181TP	THRUST COLLAR D=17 W=11				1.00
35	SM8060612TP	SCREW M6 L=6				2.00
36	40026395	NEEDLE_BAR_ROCKING_BASE_ASM.				1.00
37	B1438512B00	WASHER 17.1X28X1.5	SELECTIVE PARTS			1.00
38	22606206	SPACER Y	SELECTIVE PARTS			1.00
39	22606305	SPACER Z	SELECTIVE PARTS			1.00
40	22607600	SPACER A	SELECTIVE PARTS			1.00
41	22607709	SPACER B	SELECTIVE PARTS			1.00
42	22607808	SPACER D	SELECTIVE PARTS			1.00
43	22607907	SPACER E	SELECTIVE PARTS			1.00

44	22606404	SPACER F	SELECTIVE PARTS			1.00
45	40031862	ASSY_NEEDLE_BAR_CONNECTION				1.00
46	SM4041055SP	SCREW		*		1.00
47	23204506	ROCKING ROD SQUARE BLOCK A	SELECTIVE PARTS			1.00
48	23204605	ROCKING ROD SQUARE BLOCK B	SELECTIVE PARTS			1.00
49	23204704	ROCKING ROD SQUARE BLOCK C	SELECTIVE PARTS			1.00
50	40065056	ROCKING ROD SQUARE BLOCK Z	SELECTIVE PARTS			1.00
51	40046314	NEEDLE_BAR_CLAMP_10_ASM.				1.00
52	SM6850400SP	SCREW M2.5 L=4		*		2.00
53	40033451	NEEDLE_BAR_CLAMP_10		*		1.00
54	MDP170B1600	NEEDLE DPX17 #16				2.00

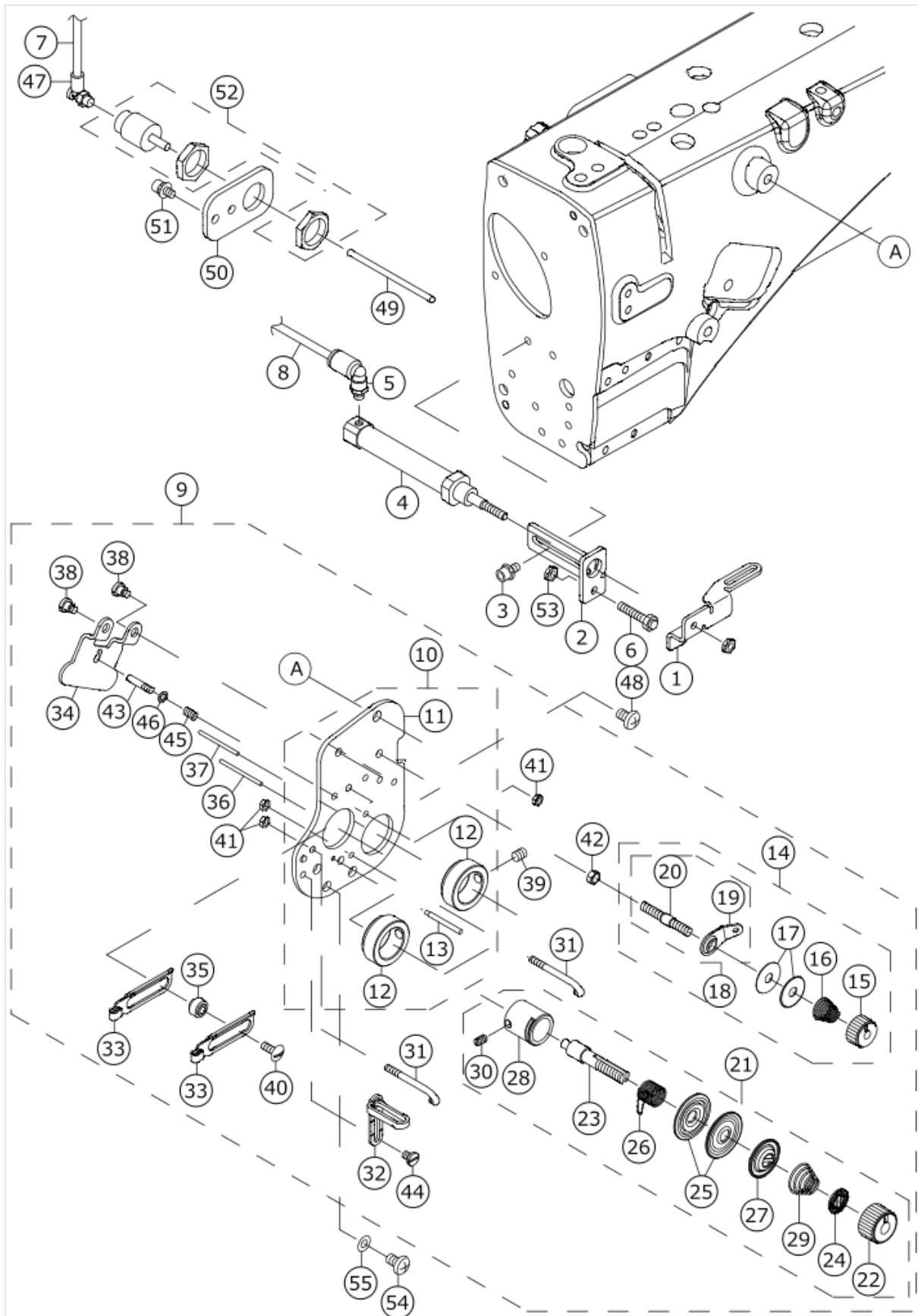
# NEEDLE THREAD TRIMMER COMPONENTS



No.	品番	品名	備考	子部品	消耗品	個数
1	PA1604005B0	ARI CYLINDER				1.00
2	PJ304040504	ELBOW UNION				1.00
3	PJ304040506	ELBOW UNION				1.00
4	40023016	UPPER_KNIFE_BASE				1.00
5	40033537	UPPER_KNIFE_JOINT				1.00
6	B1505804000	HINGE SHAFT				1.00
7	SM8050612TP	SCREW M5X6				1.00
8	16409906	NEEDLE THREAD COUNTER KNIFE				1.00
9	SM4040855SP	SCREW				2.00
10	40023019	UPPER_KNIFE_GUIDE				1.00
11	SM4040855SP	SCREW				2.00
12	40023017	UPPER_KNIFE_CLAMP_BASE				1.00
13	SM4041655SP	SCREW M4 L=16				2.00
14	40023018	UPPER_KNIFE_PLATE				1.00
15	SM4040855SP	SCREW				2.00
16	40033816	CLAMP_SPRING				1.00
17	SM4030455SP	SCREW				1.00
18	16410607	SPACER 0.2	SELECTIVE PARTS			1.00
19	16410706	SPACER 0.4	SELECTIVE PARTS			1.00
20	16410805	SPACER 0.6	SELECTIVE PARTS			1.00
21	16410904	SPACER 0.8	SELECTIVE PARTS			1.00
22	40026152	UPPER_THREAD_TRIMMER_PLATE				1.00
23	SM4040855SP	SCREW				4.00
24	40026153	UPPER_THREAD_TRIMMER_BASE				1.00
25	SM4040855SP	SCREW				2.00
26	40023020	UPPER_KNIFE_10_12				1.00
27	40026151	CLOTH_SPREADER				1.00
28	SM4040855SP	SCREW				2.00
29	WP0450000SD	WASHER 4.5X8X0.5				2.00
30	BT0400251EB	URETHANE HOSE BLACK				2.00
31	40033815	CLAMP_PLATE				1.00
32	CM300200001	ATTENTION SEAL				1.00



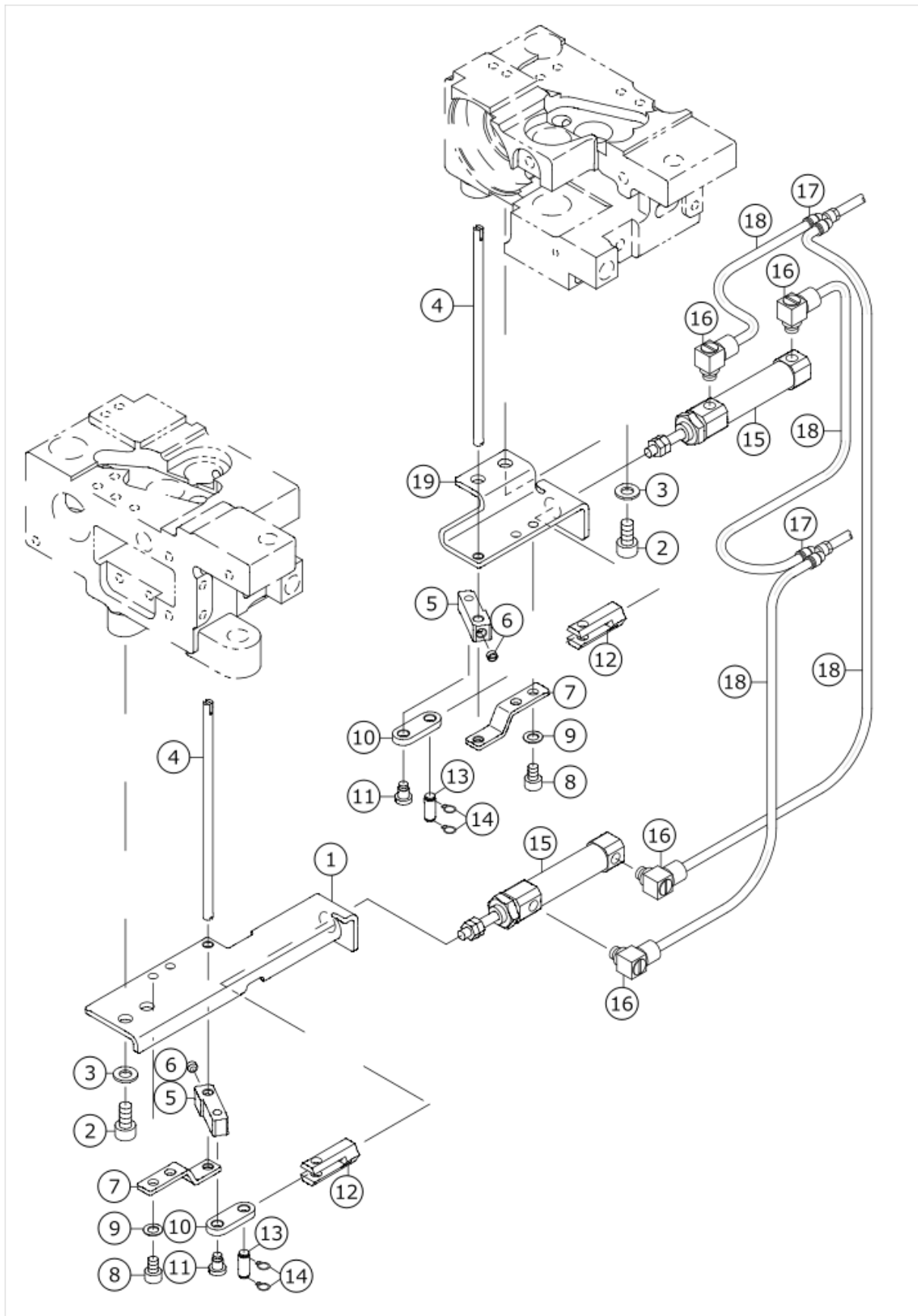
# THREAD TENSION & WIPER COMPONENTS



No.	品番	品名	備考	子部品	消耗品	個数
1	40025634	WIPER				1.00
2	40025635	WIPER_CYLINDER_BASE				1.00
3	SL6040892TN	BOLT				2.00
4	PA1002506A0	CYLINDER				1.00
5	PJ304040506	ELBOW UNION				1.00
6	40044963	STOPPER_BOLT				1.00
7	BT0400251EB	URETHANE HOSE BLACK				3.00
8	BT0400251EB	URETHANE HOSE BLACK				3.00
9	40061321	COMP_THREAD_TENSION				1.00
10	40028250	ASSY_TENSION_BASE_PLATE		*		1.00
11	40028251	TENSION_BASE_PLATE		*		1.00
12	40015697	THREAD_TENSION_BASE		*		2.00
13	40022463	THREAD_GUIDE_PIN		*		1.00
14	40052366	ASSY_THREAD_TENSION		*		2.00
15	11072402	THREAD TENSION NUT		*		1.00
16	22945505	THREAD TENSION SPRING		*		1.00
17	40080004	THREAD_TENSION_DISK		*		1.00
18	22529473	BOBBIN THREAD TENSION ROD ASM.		*		1.00
19	22529408	BOBBIN THREAD GUIDE		*		1.00
20	22529515	BOBBIN THREAD TENSION ROD		*		1.00
21	23626062	THREAD TENSION ASM. H		*		2.00
22	23626005	THREAD TENSION NUT		*		1.00
23	22921209	THREAD TENSION POST		*		1.00
24	22921407	ROTATION STOPPER		*		1.00
25	22921506	THREAD TENSION DISK		*		2.00
26	22921605	THREAD TAKE-UP SPRING		*		1.00
27	22921803	DISK STOPPER		*		1.00
28	22945307	THREAD TENSION POST BASE		*		1.00
29	22962005	THREAD TENSION SPRING		*		1.00
30	SS8090670SP	SCREW 9/64-40 L=5.5		*		1.00
31	B1118512000A	THREAD GUIDE A		*		2.00
32	22811301	THREAD GUIDE(UPPER) RIGHT		*		1.00
33	23203201	TAKE-UP THREAD GUIDE		*		2.00
34	40034660	DISK_RELEASE_PLATE		*		1.00
35	23203300	THREAD GUIDE COLLAR		*		2.00
36	B3118552I00	TENSION RELEASING PIN I		*		1.00
37	B3118552F00	TENSION RELEASING PIN		*		1.00
38	SD0470316TP	SHOULDER SCREW D=4.7 H=3.1		*		2.00
39	SM8050612TP	SCREW M5X6		*		2.00
40	SS5091020SP	SCREW 9/64-40 L=9.5		*		2.00
41	NS6080210SP	NUT 1/8-44		*		3.00
42	NS6110310SP	NUT 11/64-40		*		2.00
43	40015699	SPRING_GUIDE		*		1.00
44	SS6090520SP	SCREW 9/64-40 L=5.0		*		1.00
45	40009222	PRESSER PLATE ADJUSTING SPRING		*		1.00
46	WP0350516SD	WASHER 3.5X6X0.5		*		1.00
47	PJ304040506	ELBOW UNION				1.00
48	SM4050855SP	SCREW				1.00
49	40034974	TENSION_RELEASE_SHAFT				1.00
50	40025636	THREAD_TENSION_CYLINDER_BRACKET				1.00

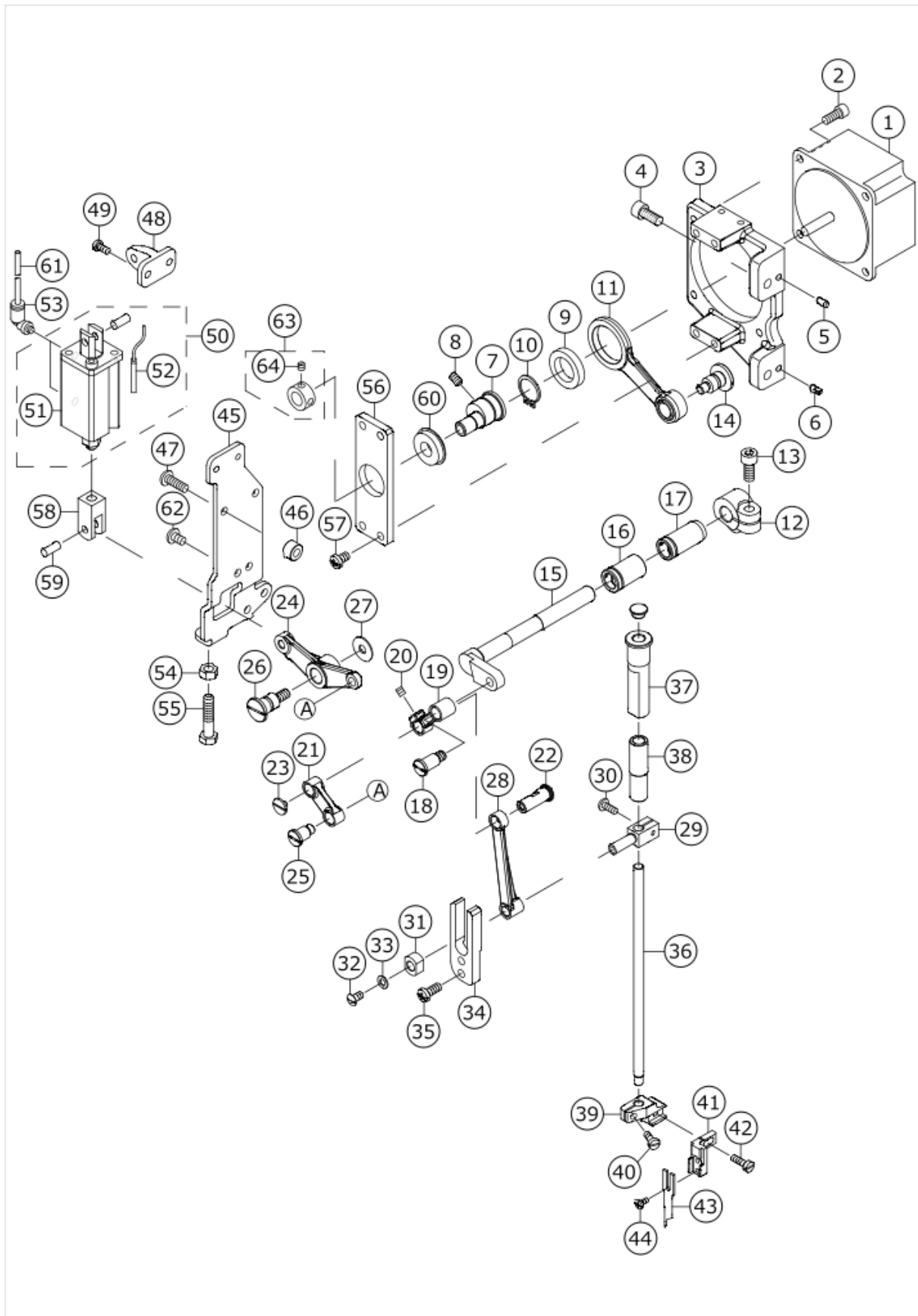
51	SL6041092TN	SCREW				2.00
52	PA1000512A0	AIR CYLINDER				1.00
53	NM6040001SC	NUT M4X0.7 TYPE1				1.00
54	SM4040855SP	SCREW				1.00
55	WP0430801SC	WASHER M4				1.00

# LOWER THREAD COMPONENTS



No.	品番	品名	備考	子部品	消耗品	個数
1	40025624	LOWER_KNIFE_BASE_L				1.00
2	SM6051002TP	SCREW M5X0.8 L=10				4.00
3	WP0531000SD	WASHER M5				4.00
4	40025646	LOWER_KNIFE				2.00
5	40025622	KNIFE_LINK_ARM				2.00
6	SM8040360TP	SCREW				2.00
7	40025623	KNIFE_PRESSER_BASE				2.00
8	SM6040602TP	SCREW M4 L=6				2.00
9	WP0450000SD	WASHER 4.5X8X0.5				2.00
10	40033420	LOWER_KNIFE_LINK				2.00
11	SD0450401SP	HINGE SCREW D=4.5 H=4				2.00
12	40025661	CYLINDER_JOINT				2.00
13	B3034450000	LINK PIN				2.00
14	B3035450000	SNAP RING				4.00
15	PA1001521A0	AIR CYLINDER				2.00
16	PJ046052503	HOSE ELBOW				4.00
17	PJ308040002	QUICK COUPLING				2.00
18	BT0400251EB	URETHANE HOSE BLACK				2.70
19	40025625	LOWER_KNIFE_BASE_R				1.00

# CENTER KNIFE COMPONENTS

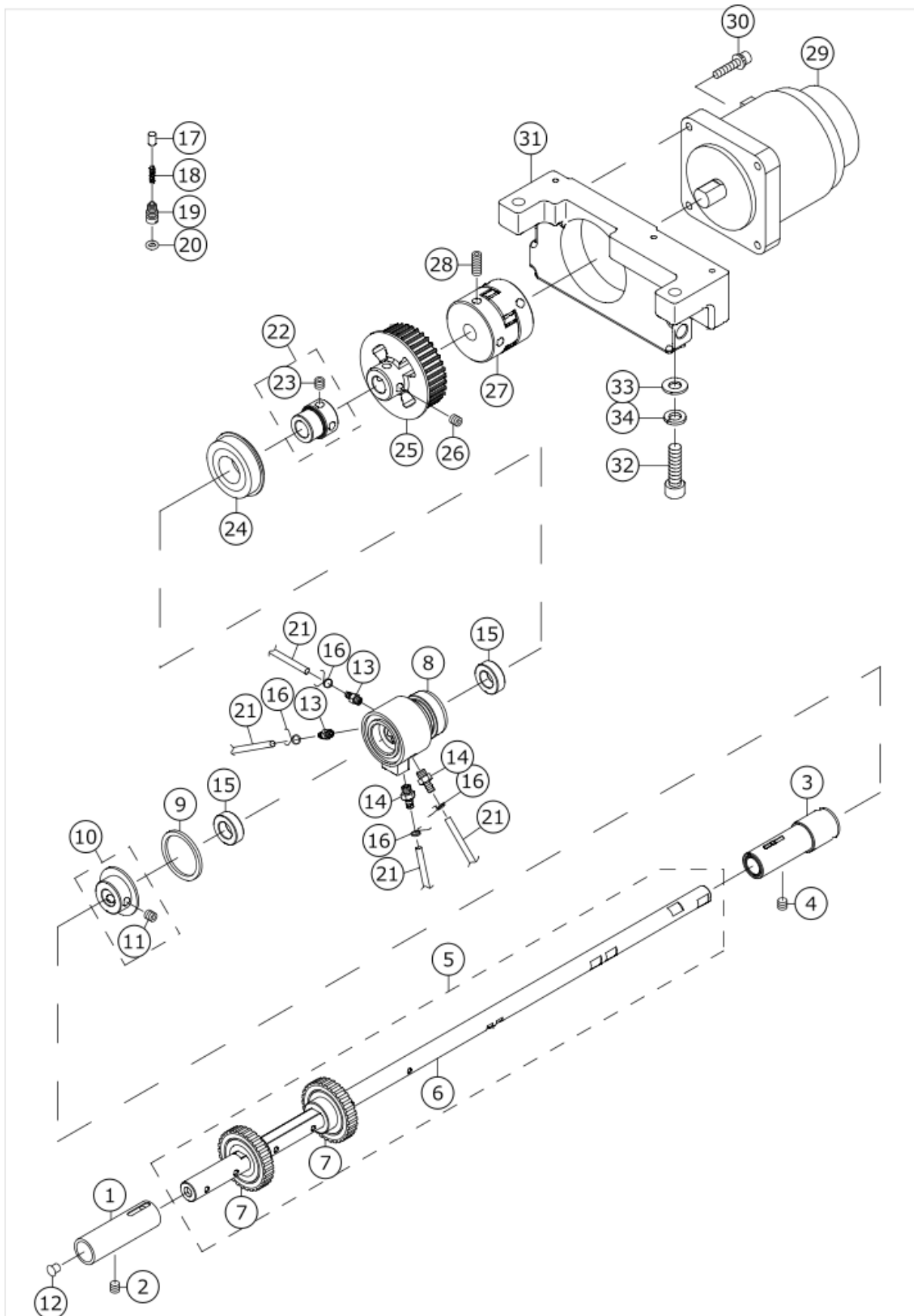


No.	品番	品名	備考	子部品	消耗品	個数
1	HM002290000	DC MOTOR				1.00
2	SM6051202TP	SCREW M5X0.8 L=12				4.00
3	40026167	MOTOR_BASE				1.00
4	SM6061402TP	SCREW M6 L=14				2.00
5	13302500	DOWEL PIN 2				1.00
6	13301908	DOWEL PIN				1.00
7	40023015	KNIFE_MOTOR_CAM				1.00
8	SM8050612TP	SCREW M5X6				1.00
9	SB1170008C0	BEARING				1.00
10	RC1700001KP	RETAINING RING				1.00
11	40023012	ASSY_CENTER_KNIFE_DRIVING_ROD				1.00
12	40026131	KNIFE_MOVING_ARM				1.00
13	SM6061402TP	SCREW M6 L=14				1.00
14	40026113	HINGE_SCREW_A				1.00
15	40026132	KNIFE_MOVING_SHAFT				1.00
16	40026133	KNIFE_MOVING_SHAFT_BUSHING_A				1.00
17	40026134	KNIFE_MOVING_SHAFT_BUSHING_B				1.00
18	40026114	HINGE_SCREW_B				1.00
19	40026126	KNIFE_LINK_A				1.00
20	SM8050612TP	SCREW M5X6				1.00
21	40026127	KNIFE_LINK_B				1.00
22	40026130	KNIFE_LINK_PIN				1.00
23	SM6040460TP	SCREW				1.00
24	40026129	KNIFE_LINK_D				1.00
25	40026115	HINGE_SCREW_C				1.00
26	40026116	HINGE_SCREW_D				1.00
27	40042089	THRUST WASHER				1.00
28	40026128	KNIFE_LINK_C				1.00
29	40069127	KNIFE_BAR_CLAMP				1.00
30	SM4041050TP	SCREW				1.00
31	40026136	SLIDE_BLOCK				1.00
32	SS5110810SP	SCREW 11/64-40 L=8				1.00
33	WP0480856SP	WASHER 4.8X8.4X0.8				1.00
34	40026137	SLIDE_BLOCK_GUIDE				1.00
35	SM4051255SP	SCREW M5 L=12				2.00
36	40026118	KNIFE_BAR				1.00
37	40026120	KNIFE_BAR_BUSHING_B				1.00
38	40026119	KNIFE_BAR_BUSHING_A				1.00
39	40026121	KNIFE_BASE_A				1.00
40	SM6041000SP	SCREW M4 L=10				1.00
41	40060721	KNIFE_BASE_B				1.00
42	SM6041200SP	SCREW M4 L=12				1.00
43	40026155	KNIFE_RIGHT_A				1.00
44	SM5030655SN	SCREW M3X0.5 L=6				2.00
45	40026109	CYLINDER_PLATE				1.00
46	40031059	CYLINDER_PLATE_SPACER				1.00
47	SM4051655SP	SCREW M5 L=16				1.00
48	40026111	CYLINDER_BLOCK				1.00
49	SM4040855SP	SCREW				2.00
50	40033538	CENTER_KNIFE_CYLINDER				1.00

51	PA1602012A0	AIR CYLINDER		*		1.00
52	40044626	AIRCYLINDER SENSOR CN79A		*		1.00
53	PJ304040504	ELBOW UNION				2.00
54	NM6060001SC	NUT M6				1.00
55	SM6063002TP	SCREW M6 L=30				1.00
56	40033464	BEARING_PLATE				1.00
57	SM4051255SP	SCREW M5 L=12				4.00
58	PA900011000	KNUCKLE JOINT FOR CYLINDER				1.00
59	PX5000280A0	PIN				1.00
60	SB1100012C0	BEARING				1.00
61	BT0400251EB	URETHANE HOSE BLACK				2.20
62	SM4050855SP	SCREW				5.00
63	CS0950810SH	THRUST COLLAR ASM. D=9.5 W=8				1.00
64	SS8110410TP	SCREW 11/64-40 L=3.5		*		2.00

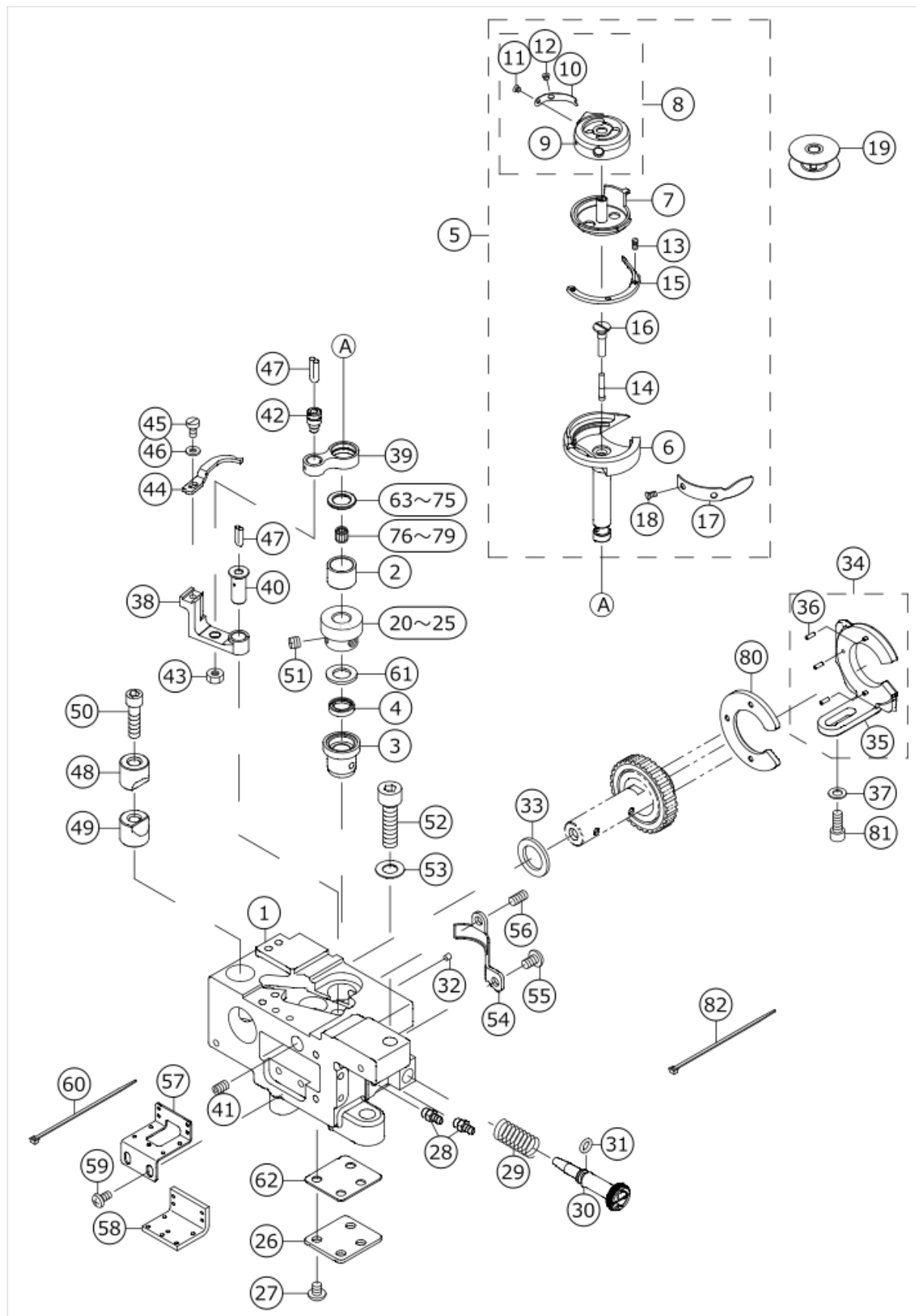


# LOWER SHAFT COMPONENTS



No.	品番	品名	備考	子部品	消耗品	個数
1	40020547	LOWER_SHAFT_BUSH-F				1.00
2	SM8060612TP	SCREW M6 L=6				1.00
3	40017576	ASSY-LOWER_SHAFT_BUSH-M				1.00
4	SM8060612TP	SCREW M6 L=6				1.00
5	40062486	ASSY_LOWER_SHAFT				1.00
6	40038858	LOWER_SHAFT_D		*		1.00
7	40062317	LOWER_SHAFT_GEAR		*		2.00
8	40011947	LOWER_PLUNGER_BUSH				1.00
9	40013061	THRUST_WASHER				1.00
10	40031351	ASSY_LOWER_SHAFT_COLLAR				1.00
11	SM8060612TP	SCREW M6 L=6		*		2.00
12	TA0550604R0	RUBBER PLUG				1.00
13	SQ2050453MZ	CONNECTING SCREW				2.00
14	SQ2060451MZ	CONNECTING SCREW				2.00
15	22888507	OIL SEAL				2.00
16	23629306	PIPE STOPPER A				4.00
17	23628803	PLUNGER				2.00
18	23628902	PLUNGER SPRING				2.00
19	40013509	PLUNGER_SCREW				2.00
20	RO048190100	RUBBER RING				2.00
21	23630007	TUBE				1.00
22	40033666	BEARING_SUPPORT_ASM.				1.00
23	SM8060612TP	SCREW M6 L=6		*		2.00
24	SB1200002C0	BEARING				1.00
25	40028117	LOWER_SPROCKET				1.00
26	SM8060612TP	SCREW M6 L=6				2.00
27	40025613	COUPLING				1.00
28	SM8061612TP	SCREW M6X16				4.00
29	40138137	IPM550W MOTOR				1.00
30	SL6052592TN	BOLT				4.00
31	40033413	MOTOR_BASE				1.00
32	SM6083002TN	SCREW M8 L=30				2.00
33	WP0841601SC	WASHER 8.4X17.4X1.6				2.00
34	WS0820002KN	SPRING WASHER M8				2.00

# HOOK DRIVING SHAFT LEFT COMPONENTS

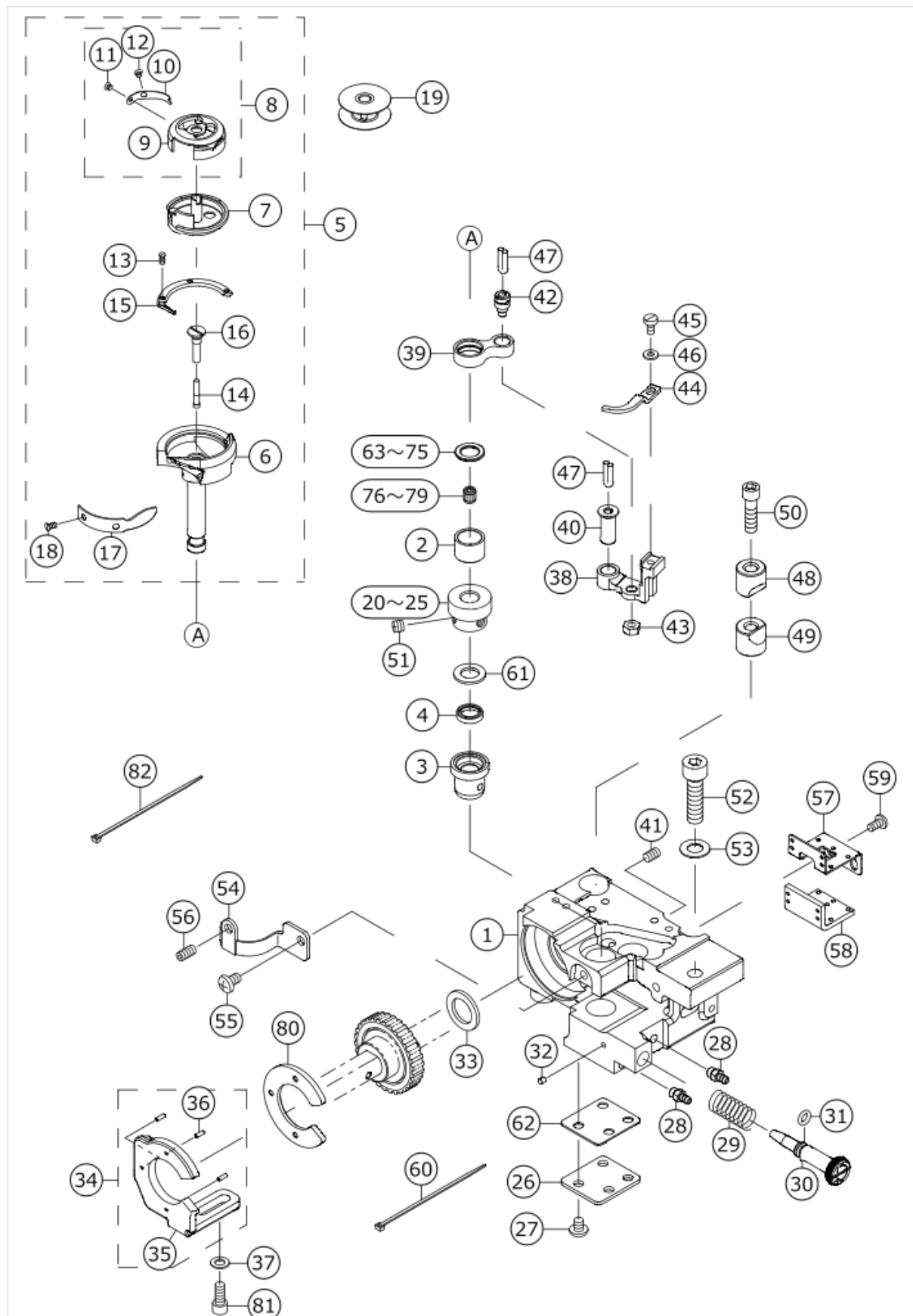


No.	品番	品名	備考	子部品	消耗品	個数
1	40025605	LAGE_HOOK_SHAFT_BASE_L				1.00
2	40025660	HOOK_UPPER_BUSH				1.00
3	40025616	HOOK_LOWER_BUSH				1.00
4	B1631850000	OIL SEAL				1.00
5	40039741	ASSY-LARGE_HOOK				1.00
6	40018977	OUTER_HOOK(L)		*		1.00
7	40034303	CAP_INNERHOOK		*		1.00
8	40033433	ASSY_BOBBIN_CASE		*		1.00
9	40033423	BOBBIN_CASE		*		1.00
10	22827406	SPRING(0.3)		*		1.00
11	10110500	TENSION SPRING INSTALLING SCREW		*		1.00
12	10110609	TENSION ADJUSTING SCREW		*		1.00
13	10112803	SCREW		*		3.00
14	11015906	OIL WICK		*		1.00
15	40042656	HOOK_GIB(L) / n		*		1.00
16	40012085	OIL_PLUG		*		1.00
17	22813703	NEEDLE POSITIONER		*		1.00
18	22814008	SCREW		*		2.00
19	40066272	ASSY_BOBBIN				1.00
20	40028560	HOOK_SHAFT_GEAR A	SELECTIVE PARTS			1.00
21	40028561	HOOK_SHAFT_GEAR B	SELECTIVE PARTS			1.00
22	40028562	HOOK_SHAFT_GEAR C	SELECTIVE PARTS			1.00
23	40028563	HOOK_SHAFT_GEAR D	SELECTIVE PARTS			1.00
24	40040549	HOOK_SHAFT_GEAR E	SELECTIVE PARTS			1.00
25	40040550	HOOK_SHAFT_GEAR F	SELECTIVE PARTS			1.00
26	40022590	BOTTOM_COVER_GASKET				1.00
27	SM4050855SP	SCREW				4.00
28	SQ2050453MZ	CONNECTING SCREW				2.00
29	40016748	OIL_ADJUSTING_SCREW				1.00
30	40029570	OIL_ADJUSTING_SPRING				1.00
31	RO044240100	RUBBER RING				1.00
32	TA0290301M0	PLUG				6.00
33	40011009	GEAR_SPACER-A				1.00
34	40025354	ASSY-GEAR HOLDER_L				1.00
35	40025345	GEAR HOLDER_L		*		1.00
36	PS0200062KH	SPRING PIN 2X6		*		3.00
37	WP0550800SP	WASHER 5.5X10X0.8				2.00
38	40043311	OPENER_LEVER_CRANK_L				1.00
39	22813000	BOBBIN CASE OPENING LEVER LINK				1.00
40	B1823051000	OPENING LEVER CRANK PIN				1.00
41	SM8050812TP	SCREW M5X8				1.00
42	B1821051000	CRANK SCREW STUD				1.00
43	NS6110420SP	NUT 11/64-40				1.00
44	40052837	OPENING LEVER				1.00

45	SM67506A0TP	SCREW M3.5 L=6				1.00
46	WP0371016SD	WASHER 3.7X8X1				1.00
47	CQ252000000	OIL WICK				0.05
48	40032310	SADDLE_INSTALLING_BLOCK				1.00
49	40032309	SADDLE_INSTALLING_BLOCK				1.00
50	SS6152212SP	SCREW 15/64-28 L=22.0				1.00
51	SM8060550TP	SCREW M6 L=4.5				3.00
52	SM6083002TP	SCREW M8 L=30				1.00
53	WP0841600SD	WASHER M8				1.00
54	40018526	GEAR_COVER-L				1.00
55	SM4050855SP	SCREW				1.00
56	SM8051002TP	SCREW M5 L=10				1.00
57	40025662	GEAR_COVER_B				1.00
58	40025663	GEAR_FELT				1.00
59	SM4040855SP	SCREW				2.00
60	EA9500B0100	CABLE BAND				6.00
61	40054979	GEAR_THRUST_WASHER				1.00
62	40022589	BOTTOM_COVER				1.00
63	10112506	THRUST WASHER 1.6	SELECTIVE PARTS			1.00
64	10111201	THRUST WASHER F	SELECTIVE PARTS			1.00
65	10109809	THRUST WASHER B	SELECTIVE PARTS			1.00
66	10112605	THRUST WASHER 1.7	SELECTIVE PARTS			1.00
67	10112704	THRUST WASHER 1.8	SELECTIVE PARTS			1.00
68	10111003	THRUST WASHER 1.2	SELECTIVE PARTS			1.00
69	10111102	THRUST WASHER 1.3	SELECTIVE PARTS			1.00
70	22614002	THRUST WASHER A	SELECTIVE PARTS			1.00
71	22614101	THRUST WASHER B	SELECTIVE PARTS			1.00
72	22614200	SPACER C	SELECTIVE PARTS			1.00
73	22614309	SPACER D	SELECTIVE PARTS			1.00
74	22614408	SPACER E	SELECTIVE PARTS			1.00
75	22614507	SPACER F	SELECTIVE PARTS			1.00
76	SB30953010A	NEEDLE BEARING	SELECTIVE PARTS			1.00
77	SB30953010B	NEEDLE BEARING	SELECTIVE PARTS			1.00
78	SB30953010C	NEEDLE BEARING	SELECTIVE PARTS			1.00
79	SB30953010D	NEEDLE BEARING	SELECTIVE PARTS			1.00

80	40025353	GEAR_SPACER-B				1.00
81	SM6051202TP	SCREW M5X0.8 L=12				2.00
82	EA9500B0000	CABLE BAND				4.00

# HOOK DRIVING SHAFT RIGHT COMPONENTS



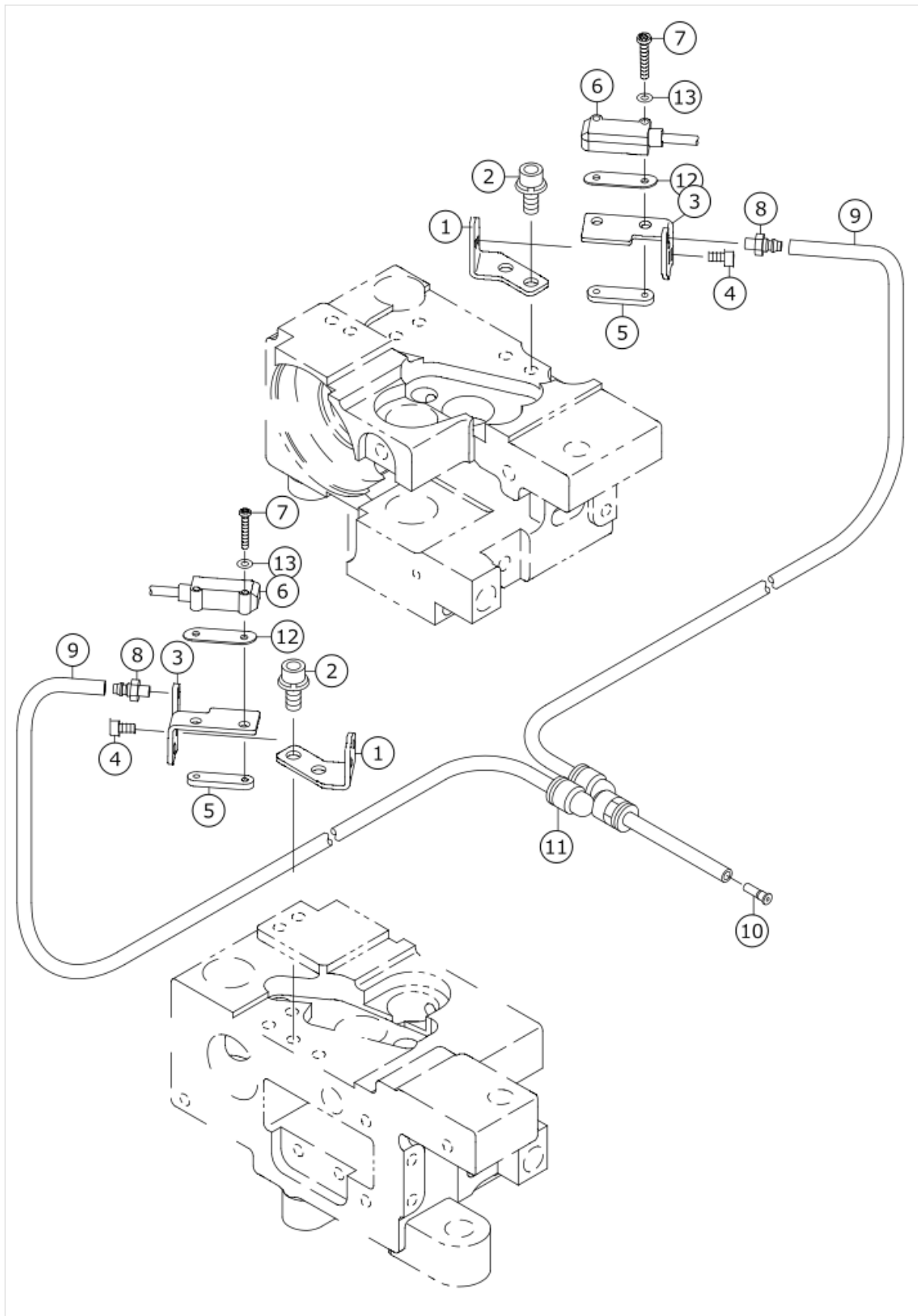
No.	品番	品名	備考	子部品	消耗品	個数
1	40025606	LAGE_HOOK_SHAFT_BASE_R				1.00
2	40025660	HOOK_UPPER_BUSH				1.00
3	40025616	HOOK_LOWER_BUSH				1.00
4	B1631850000	OIL SEAL				1.00
5	40039741	ASSY LARGE_HOOK				1.00
6	40018977	OUTER_HOOK (L)		*		1.00
7	40034303	CAP_INNERHOOK		*		1.00
8	40033433	ASSY_BOBBIN_CASE		*		1.00
9	40033423	BOBBIN_CASE		*		1.00
10	22827406	SPRING(0.3)		*		1.00
11	10110500	TENSION SPRING INSTALLING SCREW		*		1.00
12	10110609	TENSION ADJUSTING SCREW		*		1.00
13	10112803	SCREW		*		3.00
14	11015906	OIL WICK		*		1.00
15	40042656	HOOK_GIB (L) /n		*		1.00
16	40012085	OIL_PLUG		*		1.00
17	22813703	NEEDLE POSITIONER		*		1.00
18	22814008	SCREW		*		2.00
19	40066272	ASSY_BOBBIN				1.00
20	40028560	HOOK_SHAFT_GEAR A	SELECTIVE PARTS			1.00
21	40028561	HOOK_SHAFT_GEAR B	SELECTIVE PARTS			1.00
22	40028562	HOOK_SHAFT_GEAR C	SELECTIVE PARTS			1.00
23	40028563	HOOK_SHAFT_GEAR D	SELECTIVE PARTS			1.00
24	40040549	HOOK_SHAFT_GEAR E	SELECTIVE PARTS			1.00
25	40040550	HOOK_SHAFT_GEAR F	SELECTIVE PARTS			1.00
26	40022590	BOTTOM_COVER_GASKET				1.00
27	SM4050855SP	SCREW				4.00
28	SQ2050453MZ	CONNECTING SCREW				2.00
29	40016748	OIL_ADJUSTING_SCREW				1.00
30	40029570	OIL_ADJUSTING_SPRING				1.00
31	RO044240100	RUBBER RING				1.00
32	TA0290301M0	PLUG				6.00
33	40011009	GEAR_SPACER A				1.00
34	40025355	ASSY-GEAR HOLDER_R				1.00
35	40025346	GEAR HOLDER_R		*		1.00
36	PS0200062KH	SPRING PIN 2X6		*		3.00
37	WP0550800SP	WASHER 5.5X10X0.8				2.00
38	40041109	OPENING_LEVER_CRANK_R				1.00
39	22813000	BOBBIN CASE OPENING LEVER LINK				1.00
40	B1823051000	OPENING LEVER CRANK PIN				1.00
41	SM8050812TP	SCREW M5X8				1.00
42	B1821051000	CRANK SCREW STUD				1.00
43	NS6110420SP	NUT 11/64-40				1.00
44	40052837	OPENING LEVER				1.00



45	SM67506A0TP	SCREW M3.5 L=6				1.00
46	WP0371016SD	WASHER 3.7X8X1				1.00
47	CQ252000000	OIL WICK				0.05
48	10109908	SADDLE INSTALLING BLOCK UPPER				1.00
49	10112407	SADDLE INSTALLING BLOCK LOWER				1.00
50	SS6152212SP	SCREW 15/64-28 L=22.0				1.00
51	SM8060550TP	SCREW M6 L=4.5				3.00
52	SM6083002TP	SCREW M8 L=30				1.00
53	WP0841600SD	WASHER M8				1.00
54	40018527	GEAR_COVER-R				1.00
55	SM4050855SP	SCREW				1.00
56	SM8051002TP	SCREW M5 L=10				1.00
57	40025662	GEAR_COVER_B				1.00
58	40025663	GEAR_FELT				1.00
59	SM4040855SP	SCREW				2.00
60	EA9500B0100	CABLE BAND				6.00
61	40054979	GEAR_THRUST_WASHER				1.00
62	40022589	BOTTOM_COVER				1.00
63	10112506	THRUST WASHER 1.6	SELECTIVE PARTS			1.00
64	10111201	THRUST WASHER F	SELECTIVE PARTS			1.00
65	10109809	THRUST WASHER B	SELECTIVE PARTS			1.00
66	10112605	THRUST WASHER 1.7	SELECTIVE PARTS			1.00
67	10112704	THRUST WASHER 1.8	SELECTIVE PARTS			1.00
68	10111003	THRUST WASHER 1.2	SELECTIVE PARTS			1.00
69	10111102	THRUST WASHER 1.3	SELECTIVE PARTS			1.00
70	22614002	THRUST WASHER A	SELECTIVE PARTS			1.00
71	22614101	THRUST WASHER B	SELECTIVE PARTS			1.00
72	22614200	SPACER C	SELECTIVE PARTS			1.00
73	22614309	SPACER D	SELECTIVE PARTS			1.00
74	22614408	SPACER E	SELECTIVE PARTS			1.00
75	22614507	SPACER F	SELECTIVE PARTS			1.00
76	SB30953010A	NEEDLE BEARING	SELECTIVE PARTS			1.00
77	SB30953010B	NEEDEL BEARING	SELECTIVE PARTS			1.00
78	SB30953010C	NEEDLE BEARING	SELECTIVE PARTS			1.00
79	SB30953010D	BEARING	SELECTIVE PARTS			1.00

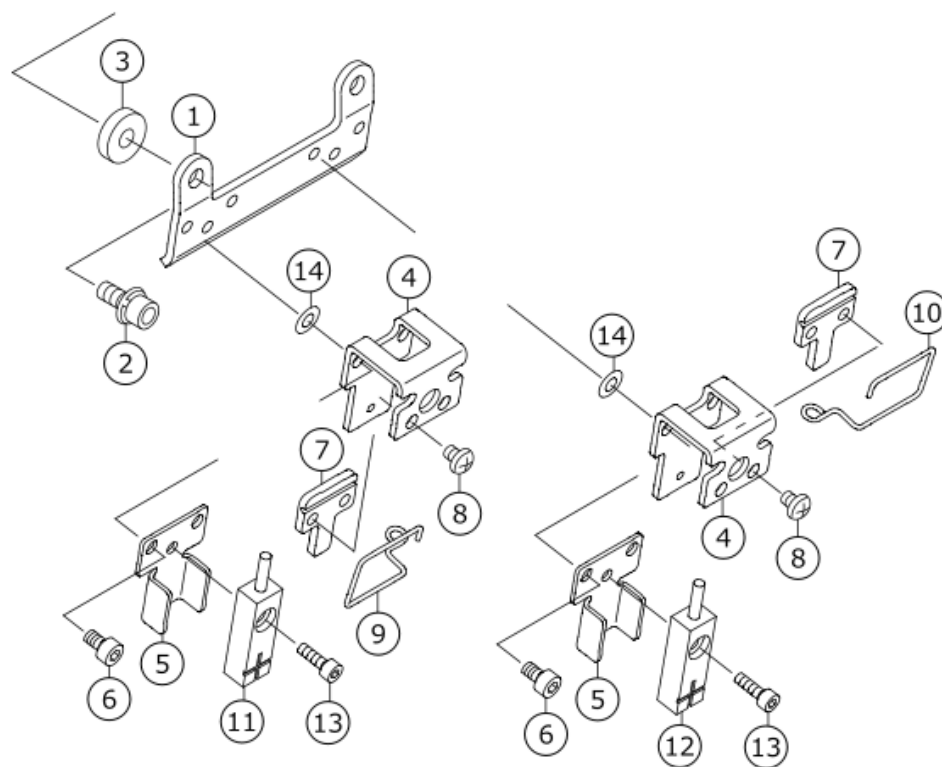
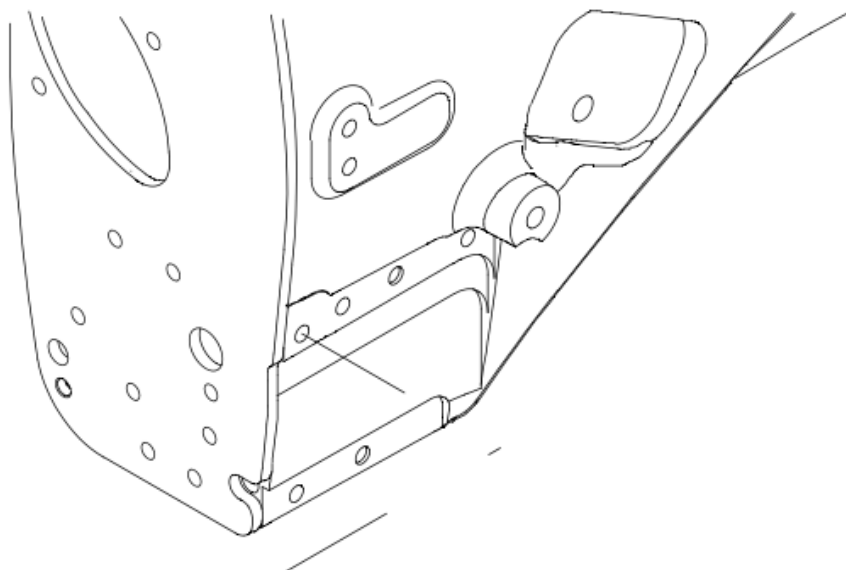
80	40025353	GEAR_SPACER_B				1.00
81	SM6051202TP	SCREW M5X0.8 L=12				2.00
82	EA9500B0000	CABLE BAND				4.00

# BOBBIN THREAD DETECTING COMPONENTS



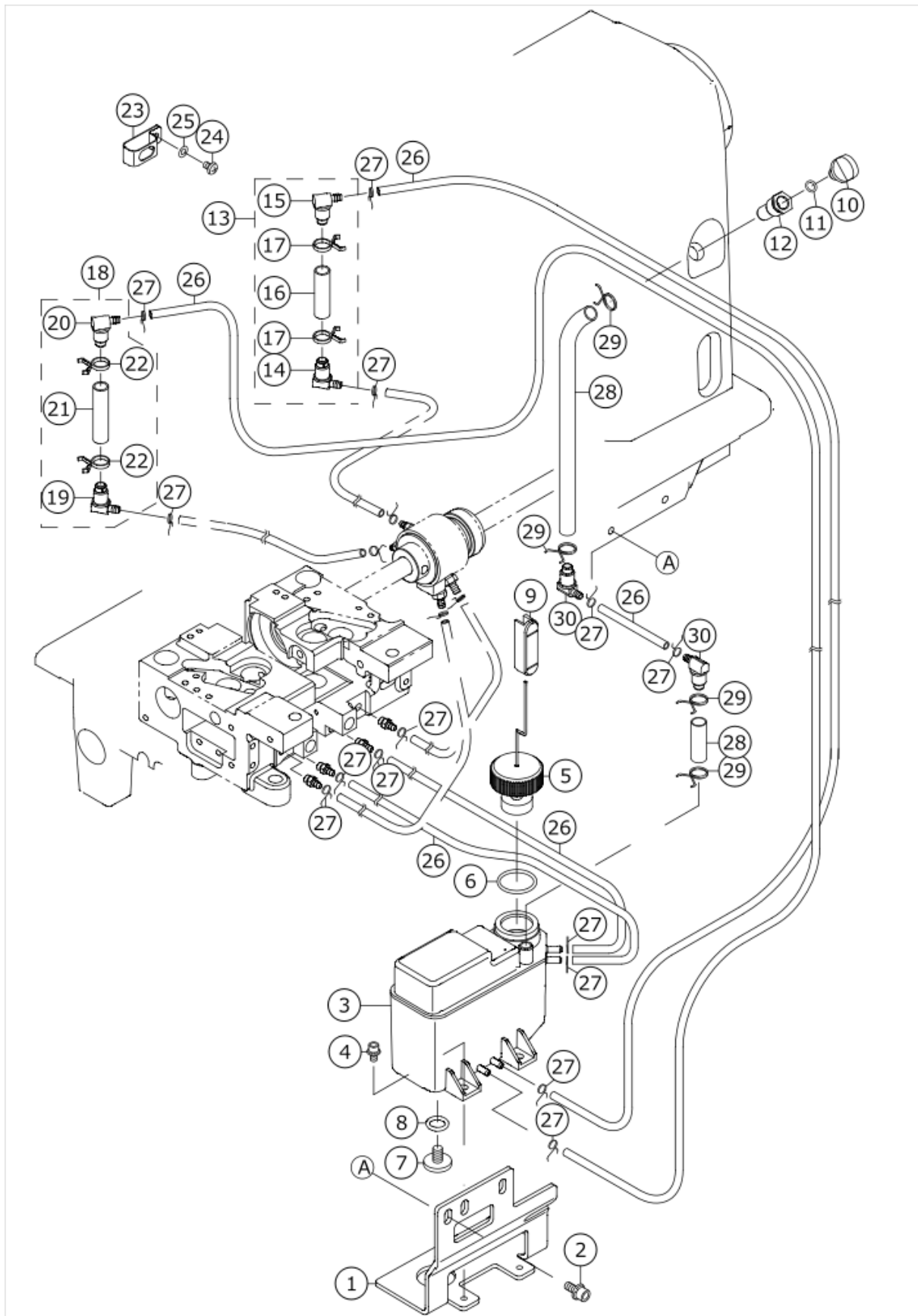
No.	品番	品名	備考	子部品	消耗品	個数
1	40025657	FIBER_BRACKET				2.00
2	SL6041092TN	SCREW				2.00
3	40033505	FIBER_BRACKET_B				2.00
4	SM6850502TN	SCREW M2.5 L=5				4.00
5	40033508	FIBER_BRACKET_C				2.00
6	40078663	BOBIN SENSOR N ASSY				1.00
7	SM4021201SC	SCREW M2 L=12				4.00
8	PJ032039001	CONNECTOR				2.00
9	BT0400251EB	URETHANE HOSE BLACK				6.00
10	PC022403L00	INSERT RING 1.1				1.00
11	PJ308040002	QUICK COUPLING				1.00
12	40053421	FIBER_BRACKET_SPACER				2.00
13	WP0220300SC	WASHER				4.00

# THREAD DETECTING COMPONENTS



No.	品番	品名	備考	子部品	消耗品	個数
1	40025631	DETECTING_BASE				1.00
2	SL6041092TN	SCREW				2.00
3	MAO91003000	BSW PRESSER PLATE WASHER				2.00
4	40025632	SENSOR_BASE				2.00
5	40025633	SENSOR_GARDE				2.00
6	SM6030602TP	SCREW M3X0.5 L=6				4.00
7	40077597	DETECTING_BAR_GUIDE				2.00
8	SM4030455SP	SCREW				4.00
9	40077595	DETECTING_BAR_L				1.00
10	40077596	DETECTING_BAR_R				1.00
11	40043997	THREAD CHECK SENSOR ASM.(L)				1.00
12	40043996	THREAD CHECK SENSOR ASM.(R)				1.00
13	SM6850802TN	SCREW M2.5 L=8				2.00
14	WP0320500SC	WASHER M3				4.00

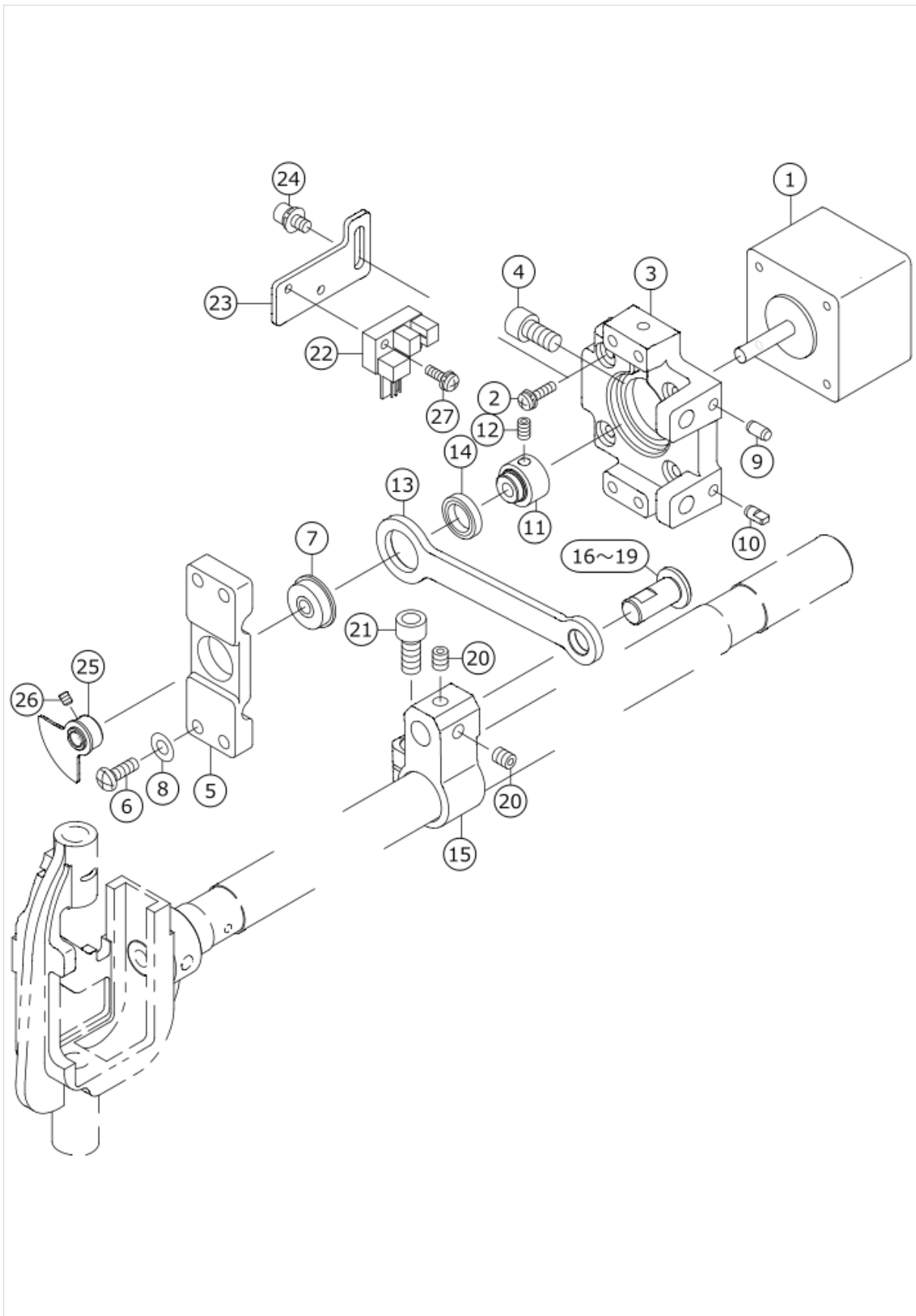
# LUBRICATION COMPONENTS



No.	品番	品名	備考	子部品	消耗品	個数
1	40033445	OIL_TANK_BASE				1.00
2	SL6051292TN	BOLT				2.00
3	40034926	OIL_TANK_ASM.				1.00
4	SL6040892TN	BOLT				2.00
5	40044679	ASSY_FLOTER				1.00
6	RO219200100	O-RING				1.00
7	40028689	SCREW				1.00
8	RO098240100	RUBBER RING				1.00
9	40036167	OIL_GAGE				1.00
10	40000344	LUBRICATING INLET CAP				1.00
11	RO048190100	RUBBER RING				1.00
12	40029075	LUBRICATING_INLET				1.00
13	40042287	ASSY_OIL_FILTER_R				1.00
14	23630650	OIL_FILTER_JOINT_ASM.		*		1.00
15	23630601	OIL FILTER JOINT		*		1.00
16	23630106	TUBE B		*		0.04
17	23629405	PIPE STOPPER B		*		2.00
18	40042286	ASSY_OIL_FILTER_L				1.00
19	23630650	OIL_FILTER_JOINT_ASM.		*		1.00
20	23630601	OIL FILTER JOINT		*		1.00
21	23630106	TUBE B		*		0.05
22	23629405	PIPE STOPPER B		*		2.00
23	40016749	TUBE HOLDER				1.00
24	SM4040655SP	SCREW M4 L=6				1.00
25	WP0430800SD	WASHER M4				1.00
26	23630007	TUBE				2.00
27	23629306	PIPE STOPPER A				14.00
28	23630106	TUBE B				0.30
29	23629405	PIPE STOPPER B				4.00
30	23630601	OIL FILTER JOINT				2.00

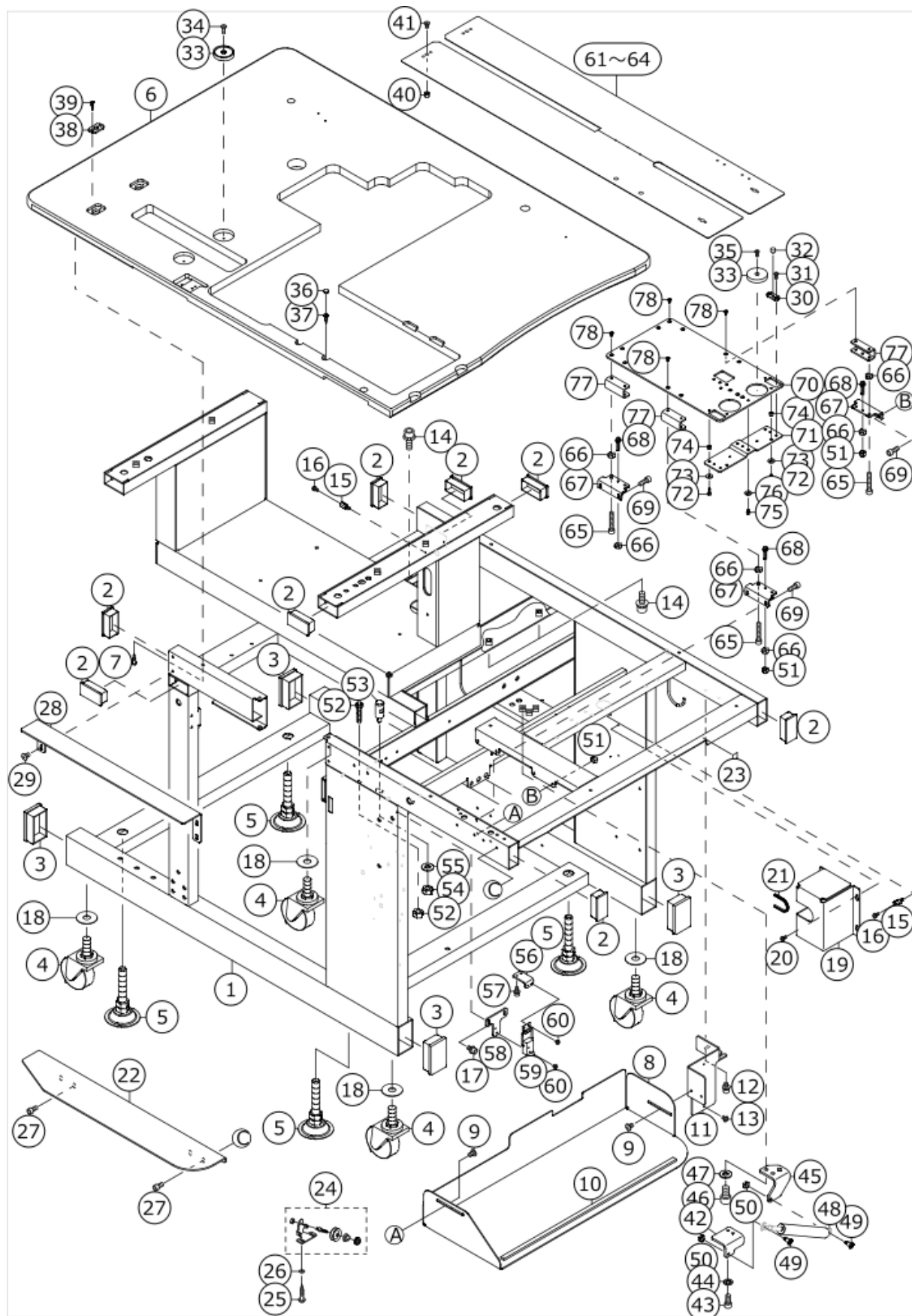


# BACK TUCK COMPONENTS



No.	品番	品名	備考	子部品	消耗品	個数
1	40149105	BACK TUCK MOTOR				1.00
2	SL4031291SC	SCREW M3 L=12				4.00
3	40033448	PULSE_MOTOR_BASE				1.00
4	SM6061202TP	SCREW M6 L=12				2.00
5	40033469	BACK_TACK_BEARING_PLATE				1.00
6	SM4041655SP	SCREW M4 L=16				4.00
7	SB105002000	BEARING				1.00
8	WP0450000SD	WASHER 4.5X8X0.5				4.00
9	13302500	DOWEL PIN 2				1.00
10	13301908	DOWEL PIN				1.00
11	40031053	BACK_TUCK_CAM				1.00
12	SM8040612TP	SCREW M4 L=6				2.00
13	40031052	BACK_TUCK_LINK				1.00
14	SB110002100	BEARING				1.00
15	40026143	BACK_FEED_ARM				1.00
16	22572002	DRIVING PIN A	SELECTIVE PARTS			1.00
17	22572101	DRIVING PIN B	SELECTIVE PARTS			1.00
18	22572200	DRIVING PIN C	SELECTIVE PARTS			1.00
19	22572309	DRIVING PIN D	SELECTIVE PARTS			1.00
20	SM8050612TP	SCREW M5X6				2.00
21	SM6061402TP	SCREW M6 L=14				1.00
22	HD00057000A	PHOTO SENSOR				1.00
23	40031055	PHOTO_SENSOR_PLATE				1.00
24	SL6040892TN	BOLT				2.00
25	40031056	SENSOR_SLIT_ASM.				1.00
26	SM8030412TP	SCREW				2.00
27	SL4031091SC	SCREW M3 L=10				1.00

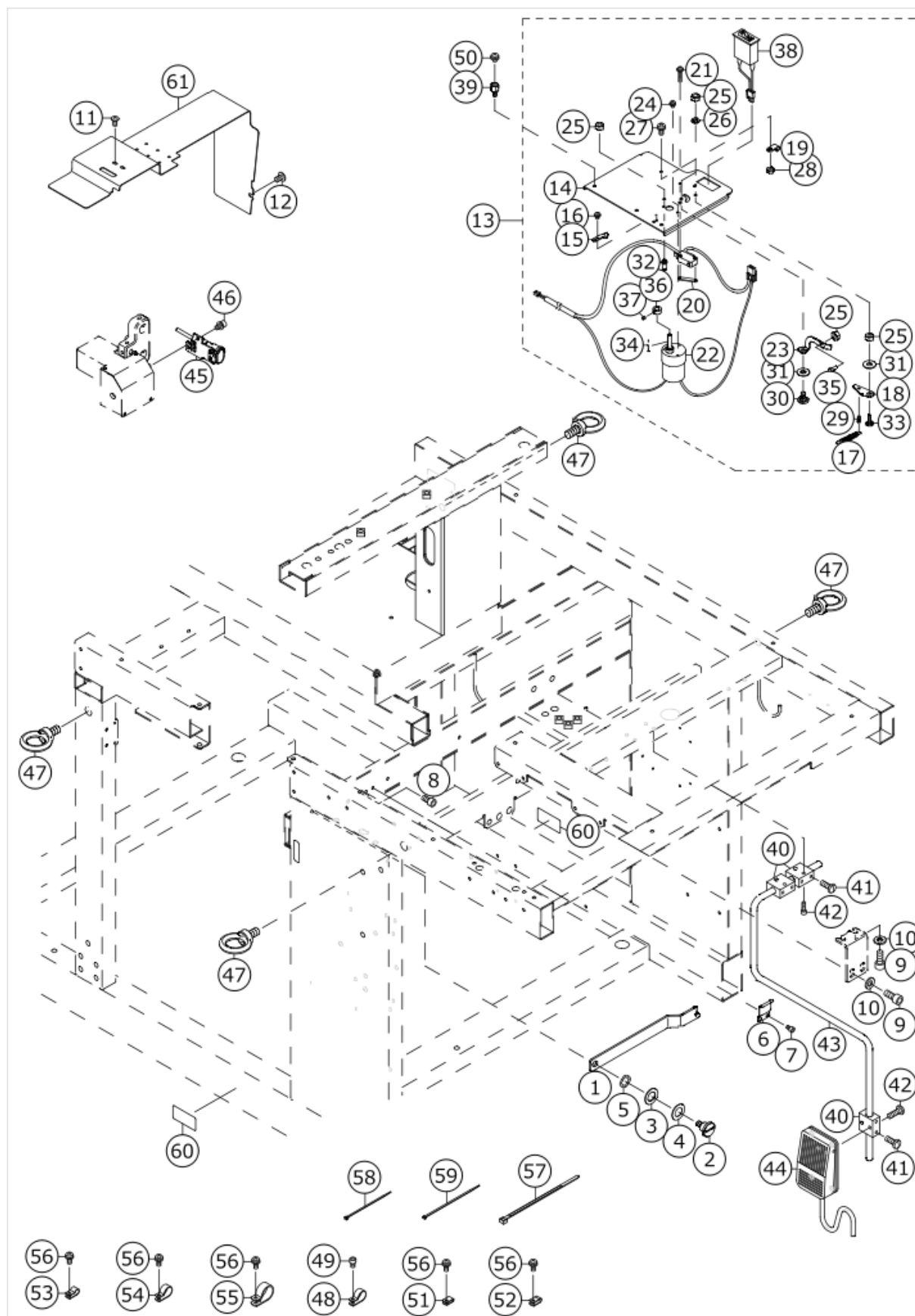
# FRAME & COVER COMPONENTS (1)



No.	品番	品名	備考	子部品	消耗品	個数
1	40145342	FRAME				1.00
2	40035075	CAP				8.00
3	40042653	CAP_LARGE				4.00
4	G5032164000	CASTER				4.00
5	40035074	ADJUST_BOLT				4.00
6	40149792	MAIN_TABLE				1.00
7	SK3451601SE	WOOD SCREW D=4.5 L=16				13.00
8	40026619	BOX_PLATE				1.00
9	SM0050801SC	SCREW M5 L=8				4.00
10	40033803	BOX_PLATE_RUBBER				1.00
11	40167736	MAIN_SWITCH_BRACKET				1.00
12	SL6051092TN	BOLT				2.00
13	SM4040655SN	SCREW M4X0.7 L=6				2.00
14	SL6082092TN	BOLT				3.00
15	HX00056000B	SPACER				8.00
16	SL4030891SC	SCREW M3X8				8.00
17	SL6051092TN	BOLT				2.00
18	40101624	WASHER				4.00
19	40154512	INT COVER				1.00
20	SL4030891SC	SCREW M3X8				4.00
21	HX002230000	ADJUSTABLE BUSH				0.13
22	40077661	SUB_TABLE				1.00
23	CM600100101	WEEE MARK LABEL S				1.00
24	40053150	BOBBIN_WINDER_TENSION_BRACKET_ASM.				1.00
25	SK3381301SE	WOOD SCREW D=3.8 L=13				2.00
26	WP0430800SC	WASHER M4				2.00
27	SM6051002TN	BOLT				4.00
28	40034007	STACKER_FLAT_PLATE				1.00
29	SM0050801SC	SCREW				4.00
30	40026351	PIVOT_PLATE_A				2.00
31	SM4030801SN	SCREW M3 L=8				4.00
32	40145350	POSITION_PIN				2.00
33	40035100	MAGNET				4.00
34	SM1041201SC	SCREW M4 L=12				1.00
35	SM4030801SN	SCREW M3 L=8				2.00
36	E3160750000	BU MAGNET				2.00
37	SK1351601SE	WOOD SCREW D=3.5 L=16				2.00
38	40026353	PIVOT_PLATE_C				2.00
39	SK3381301SE	WOOD SCREW D=3.8 L=13				4.00
40	40026354	POSITION_BOSS				2.00
41	SM1040801SC	SCREW M4X0.7 L=8				2.00
42	40023186	GAS_SPRING_BRACKET_A				1.00
43	SM6061402TN	BOLT				2.00
44	WP0641601SC	WASHER M6				2.00
45	40023182	GAS_SPRING_BRACKET_B				1.00
46	SM6081602TN	BOLT M8 L=16				3.00
47	WP0841601SC	WASHER 8.4X17.4X1.6				3.00
48	40023177	GAS_SPRING_A				1.00
49	SD0801006TP	SHOULDER SCREW D=8 H=10				2.00
50	NM6050001SE	NUT M5				2.00

51	NM7050032SC	NUT M5				4.00
52	G6206875000	STOPPER BOLT				2.00
53	40023181	HEAD_GUIDE_PIN				1.00
54	NM6080001SE	NUT M8				1.00
55	WP0841601SC	WASHER 8.4X17.4X1.6				1.00
56	40023183	CLIP_BRACKET_A				1.00
57	SL6041092TN	SCREW				2.00
58	40023185	CLIP_BRACKET_B				1.00
59	40026872	CATCH_CLIP_A				1.00
60	SM4030455SN	SCREW				4.00
61	40026357	SEWING_TABLE_UNIT_8_14	SELECTIVE PARTS			1.00
62	40027366	SEWING_TABLE_UNIT_16_20	SELECTIVE PARTS			1.00
63	40027367	SEWING_TABLE_UNIT_22_26	SELECTIVE PARTS			1.00
64	40027368	SEWING_TABLE_UNIT_28_32	SELECTIVE PARTS			1.00
65	SM6052502TN	SCREW				8.00
66	NM6050001SP	NUT M5				12.00
67	40034474	SUCTION_BOX_BRACKET				4.00
68	40145345	SUCTION_BOX_ADJUST_BOLT				4.00
69	SM6051402TN	SCREW M5 L=14				8.00
70	40145346	VACUUM_PLATE_A				1.00
71	40145347	VACUUM_TABLE_SUPPORT_PLATE				1.00
72	SM6041202TN	SCREW M4X0.7 L=12				4.00
73	WP0461516SH	WASHER				4.00
74	26017301	COLLAR				4.00
75	SM6040602TN	BOLT				1.00
76	WP0430800SC	WASHER M4				1.00
77	40145348	VACUUM_TABLE_BRACKET				1.00
78	SM1040801SC	SCREW M4X0.7 L=8				8.00

# FRAME & COVER COMPONENTS (2)

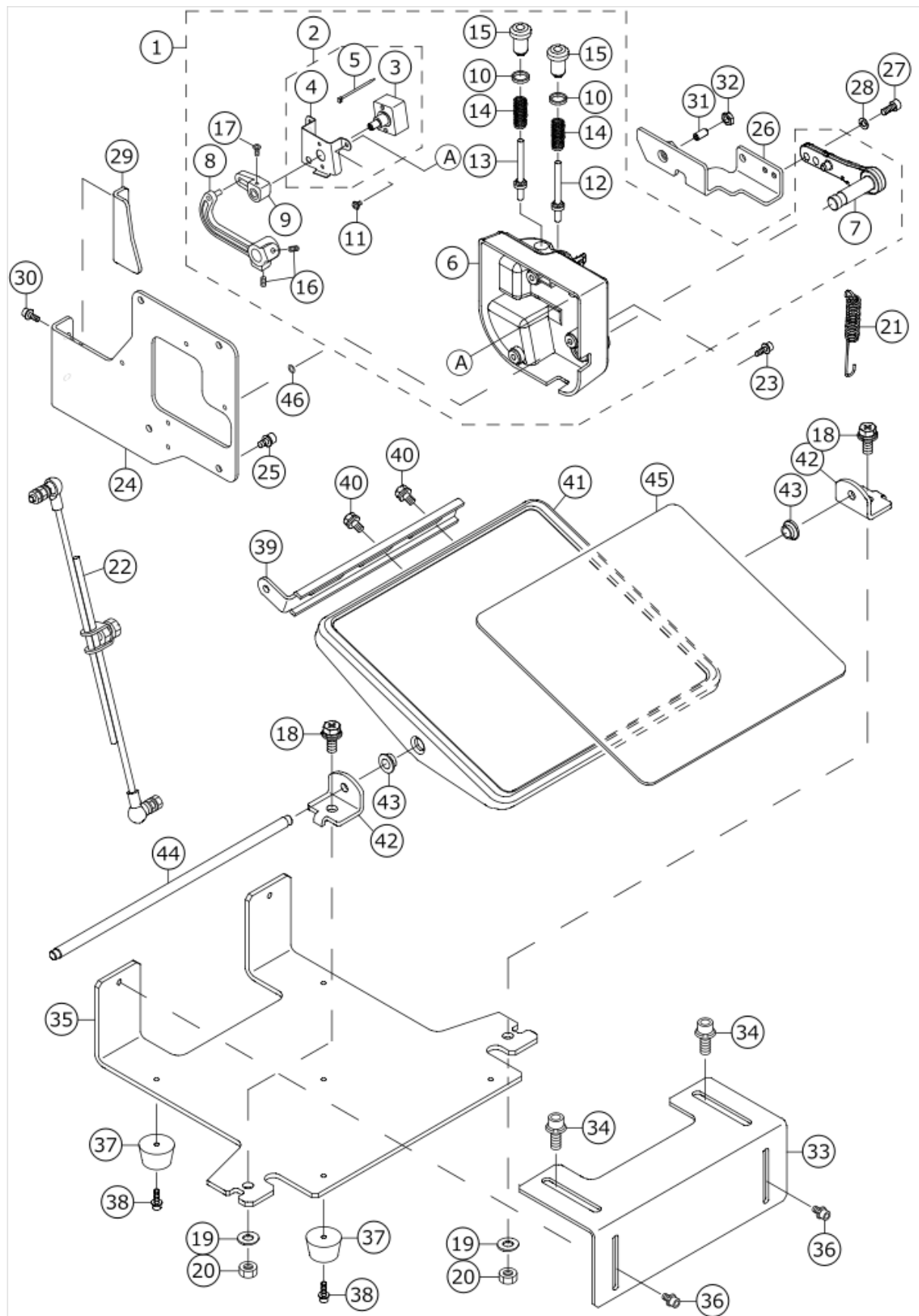


No.	品番	品名	備考	子部品	消耗品	個数
1	40025638	ROCK_BAR				1.00
2	SD1000646TP	SHOULDER SCREW D=10 H=6.4				1.00
3	WP1021016SD	WASHER 10.2X18X1				1.00
4	WP1020616SD	WASHER				1.00
5	WZ1052010KP	WAVED WASHER 10.5X14.5X0.3				2.00
6	40025639	ROCK_BAR_SUPPORT_PLATE				1.00
7	SM6050802TN	BOLT				2.00
8	SM6051002TN	BOLT				1.00
9	SM6061402TN	BOLT				4.00
10	WP0641601SC	WASHER M6				4.00
11	SM0040801SC	SCREW M4 L=8				2.00
12	SM0050801SC	SCREW M5 L=8				1.00
13	40188447	BOBBIN_WINDER_ASSY				1.00
14	40188443	MOTOR_COVER		*		1.00
15	10502300	THREAD CUTTER		*		1.00
16	SL4030691SC	SCREW M3 L=6		*		1.00
17	B3041980000	SPRING		*		1.00
18	13889704	SWITCH PUSHING PLATE		*		1.00
19	HX001230000	CABLE CLIP		*		1.00
20	22954408	STOPPER PLATE		*		1.00
21	SL4031681SC	SCREW M3 L=16		*		2.00
22	40201682	MOTOR ASSY D		*		1.00
23	13870605	BOBBIN GUIDE		*		1.00
24	SL4030691SC	SCREW M3 L=6		*		3.00
25	NS6110420SP	NUT 11/64-40		*		5.00
26	WS0451040KP	SPRING WASHER 4.5X8.5X1		*		2.00
27	SL4041081SC	SCREW M4 L=10		*		1.00
28	NM6040001SC	NUT M4		*		1.00
29	B1110280000	THREAD CUTTING LINK SPRING RACK		*		1.00
30	SD0720221SP	HINGE SCREW D=7.24 H=2.2		*		1.00
31	WP0451016SH	PLAIN WASHER 4.5X13X1		*		2.00
32	B3413227000A	SPRING SUSPENSION		*		1.00
33	SD0720222TP	HINGE SCREW D=7.24 H=2.2		*		1.00
34	B3212761000	LATCH SPRING		*		1.00
35	B3208280000	BOBBIN WINDER ADJUSTING SCREW		*		1.00
36	CS0640611SP	THRUST HOLDER		*		1.00
37	SS8090530TP	SCREW 9/64-40 L=5.0		*		1.00
38	40201680	OCP CORD ASM		*		2.00
39	HX00339000E	SPACER				3.00
40	40034447	NEE_SWITCH_BASE				3.00
41	SM5051400SC	SCREW M5 L=14				6.00
42	SM6051602TN	BOLT				6.00
43	40034450	SWITCH_SHAFT				1.00
44	40026945	NEE_SWITCH_ASSY				1.00
45	32002354	SWITCH ASM.				1.00
46	SL6040892TN	BOLT				2.00
47	G5039171000	EYE BOLT M12				4.00
48	HX00150000F	CABLE CLIP				1.00
49	SM6040602TN	BOLT				7.00
50	SL4040691SC	SCREW M4 L=6				3.00

51	HX001500000	CLIP				3.00
52	HX00150000A	CABLE CLAMP				5.00
53	HX00150000C	CABLE CLIP				9.00
54	HX00150000H	CABLE CLIP				6.00
55	HX00150000M	CABLE CLIP				1.00
56	SL4041091SC	SCREW M4 L=10				19.00
57	HX00065000A	CABLE CLIP				3.00
58	EA9500B0100	CABLE BAND				16.00
59	EA9500B0200	CABLE BAND 150				5.00
60	16870206	GRAVITY SEAL				2.00
61	40145340	ARM_COVER				1.00

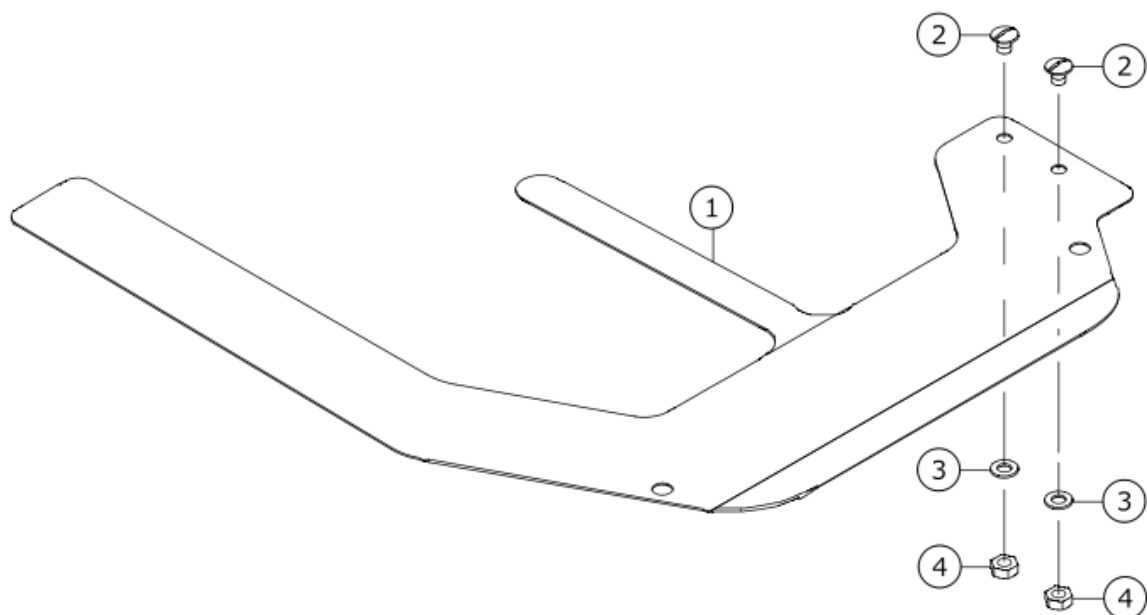


# PEDAL SWITCH COMPONENTS



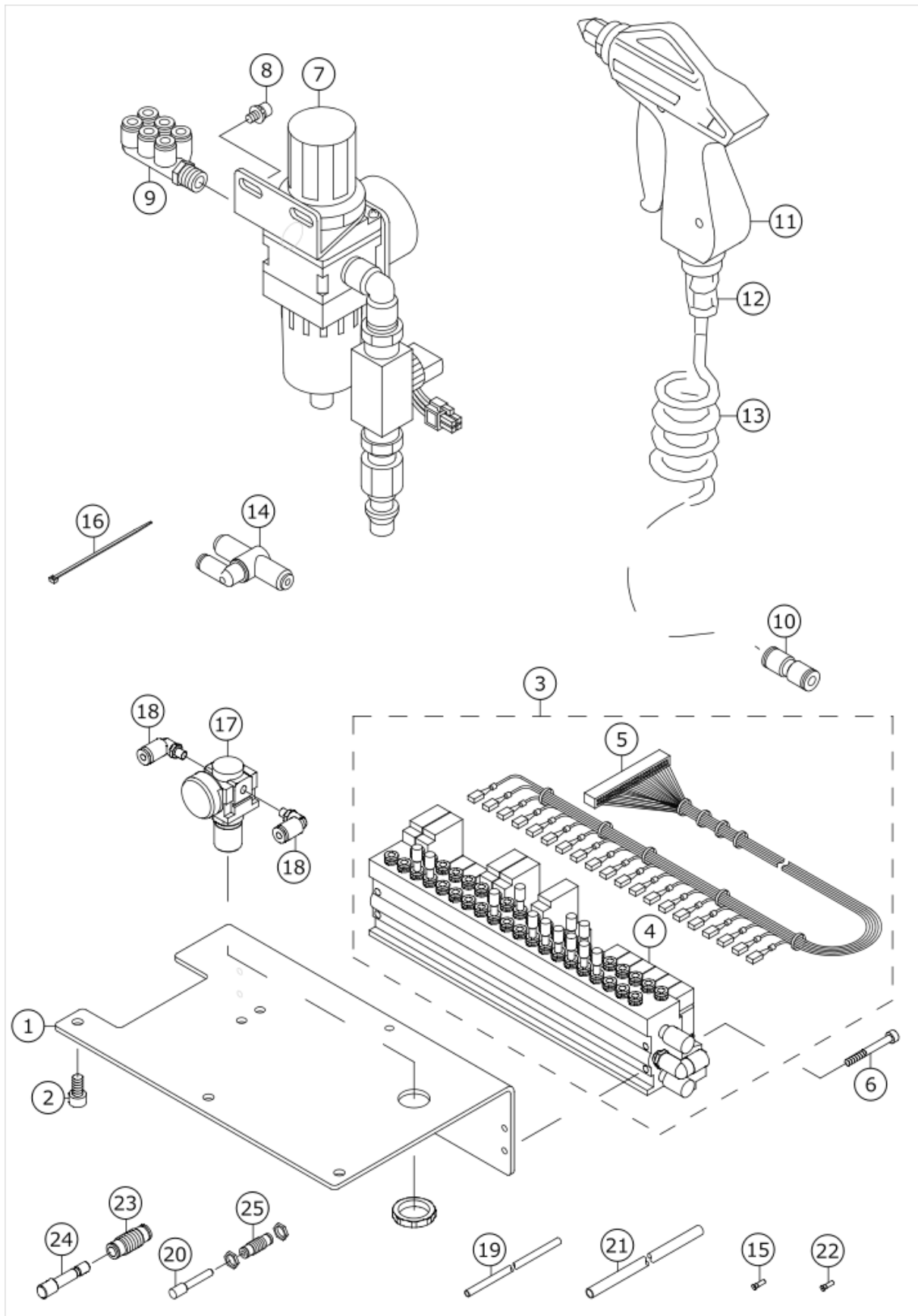
No.	品番	品名	備考	子部品	消耗品	個数
1	40006128	PEDAL SENSOR B ASM.				1.00
2	40006135	SENSOR HOLDING A PLATE ASM.		*		1.00
3	40006136	SENSOR A ASM.		*		1.00
4	40006206	SENSOR_INSTALLING_PLATE		*		1.00
5	EA9500B0100	CABLE BAND		*		1.00
6	40006104	PEDAL_SENSOR_BASE		*		1.00
7	40006112	PEDAL_LEVER		*		1.00
8	40006204	PEDAL_LINK		*		1.00
9	40006205	VOLUME_LINK		*		1.00
10	40006202	ADJUST_NUT		*		2.00
11	SV4030601SN	SCREW M3 L=6		*		2.00
12	40006208	SPRING_SHAFT_A		*		1.00
13	40006209	SPRING_SHAFT_B		*		1.00
14	40006211	SPRING_B		*		2.00
15	40006212	ADJUST_SCREW		*		2.00
16	SM8040802TP	SCREW M4 L=8		*		2.00
17	SM4030801SC	SCREW M3 L=8		*		1.00
18	SL9082091SE	WASHER HEXAGONAL BOLT				2.00
19	WP0871602SE	WASHER 8.7X18X1.6				2.00
20	NM6080001SE	NUT M8				2.00
21	40038661	FRONT_SPRING_C				1.00
22	22958458	CONNECTING ROD ASM. B				1.00
23	SL6041292TN	SCREW				3.00
24	40050225	PEDAL_BASE_A				1.00
25	SL6051092TN	BOLT				4.00
26	40050230	PEDAL_LEVER_BRACKET_VER2				1.00
27	SM6051202TN	SCREW M5X0.8 L=12				2.00
28	WP0531000SC	WASHER 5.3X10X1				2.00
29	40034457	PEDAL_LEVER_SPPORT_GUIDE				1.00
30	SL6041092TN	SCREW				2.00
31	40050259	PLUNGER				1.00
32	NM6100001SC	NUT M10X1.5				1.00
33	40034453	PEDAL_STAY_A				1.00
34	SL6082092TN	BOLT				2.00
35	40034454	PEDAL_STAY_B				1.00
36	SL6051092TN	BOLT				2.00
37	G5018136000	RUBBER LEGS RUBBER STUD				5.00
38	SL6041492TN	SCREW				5.00
39	11158706	PEDAL ADJUSTING PLATE				1.00
40	SL9061291SE	WASHER HEXAGONAL BOLT M6 L=12				2.00
41	11158805	PEDAL				1.00
42	11159001	PEDAL SHAFT BRACKET				2.00
43	D8113555B00	PEDAL BUSHING				2.00
44	D8115555B00	PEDAL SHAFT				1.00
45	11158904	PEDAL MAT				1.00
46	WP0482086SD	WASHER 4.8X11.5X2				3.00

# POCKET BAG CLAMP COMPONENTS



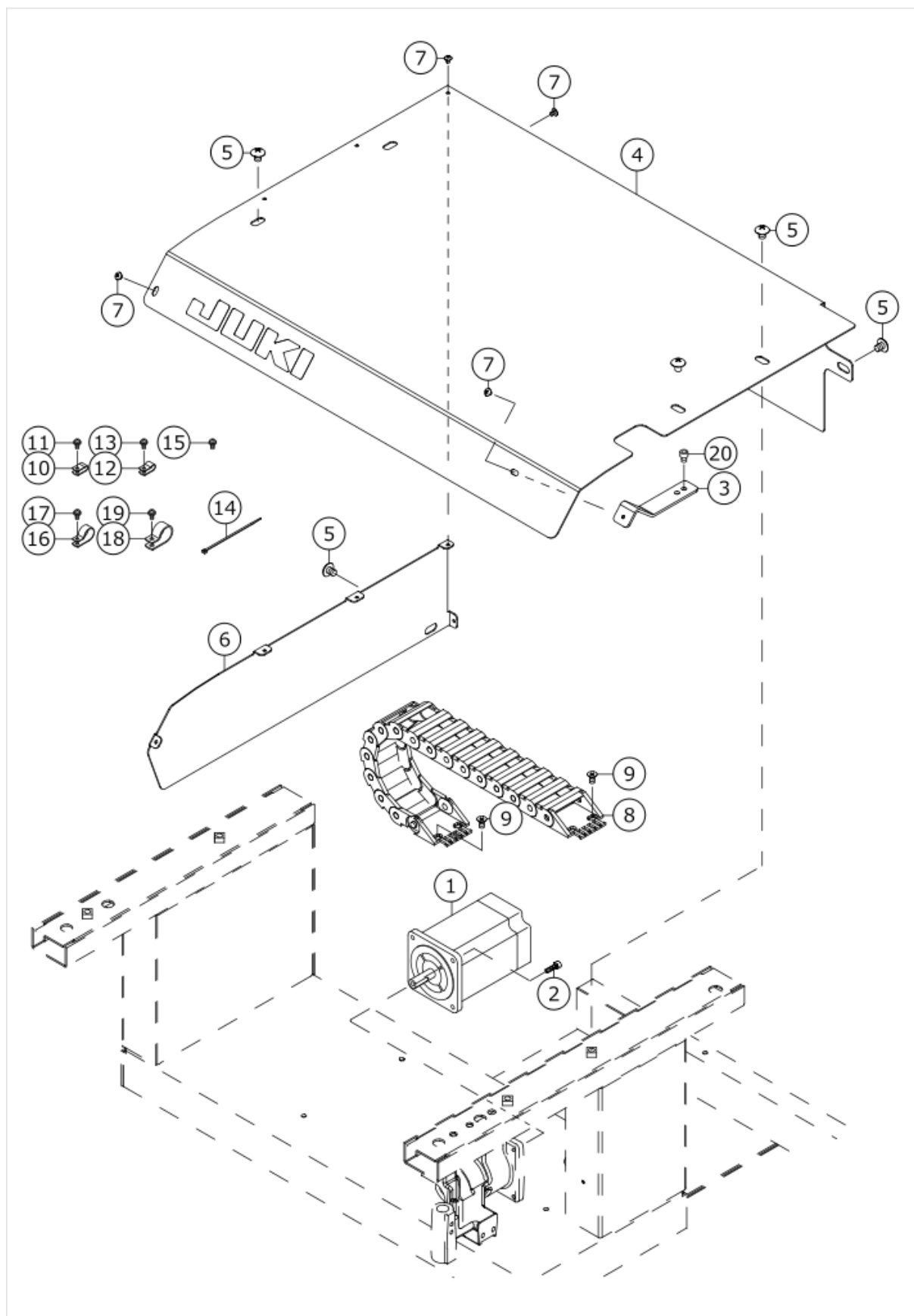
No.	品番	品名	備考	子部品	消耗品	個数
1	40034441	POCKET_BAG_CLAMP				1.00
2	SM5040550TP	SCREW M4 L=5				2.00
3	WP0430800SD	WASHER M4				2.00
4	NM6040000SN	NUT M4				2.00

# AIR EQUIPMENT COMPONENTS



No.	品番	品名	備考	子部品	消耗品	個数
1	40149504	MANIFOLD_VALVE_BASE				1.00
2	SM6061202TP	SCREW M6 L=12				3.00
3	40044842	MANIFOLD_ASSY				1.00
4	40035097	MANIFOLD_VALVE_ASSY		*		1.00
5	40035098	AIR SORENOID VALVE CORD		*		1.00
6	SM6043552TN	SCREW M4 L=35				4.00
7	G56042540A0	FILTER REGULATER ASM.				1.00
8	SL6051092TN	BOLT				2.00
9	PJ309065201	TRIPLE BRANCH UNIVERSAL ELBOW				1.00
10	PJ303060001	STRAIGHT UNION				1.00
11	40044823	AIR_GUN				1.00
12	PJ301065201	HALF UNION 6XPT1/4				1.00
13	GSS36020000	COIL TUBE				1.00
14	PV200202000	SHUTTLE VALVE				1.00
15	PC022403F00	INSERT RING				2.00
16	EA9500B0100	CABLE BAND				20.00
17	PF0205010C0	AIR REGULATOR				1.00
18	PJ304040504	ELBOW UNION				2.00
19	BT0400251EB	URETHANE HOSE BLACK				30.00
20	PX500014000	PLUG				1.00
21	BT0600400EC	TUBE HOSE BLUE				5.50
22	PC022403E00	INSERT RING				3.00
23	PJ230006200	UNION				3.00
24	PX950001000	PLUG				4.00
25	PJ230004200	UNION				1.00

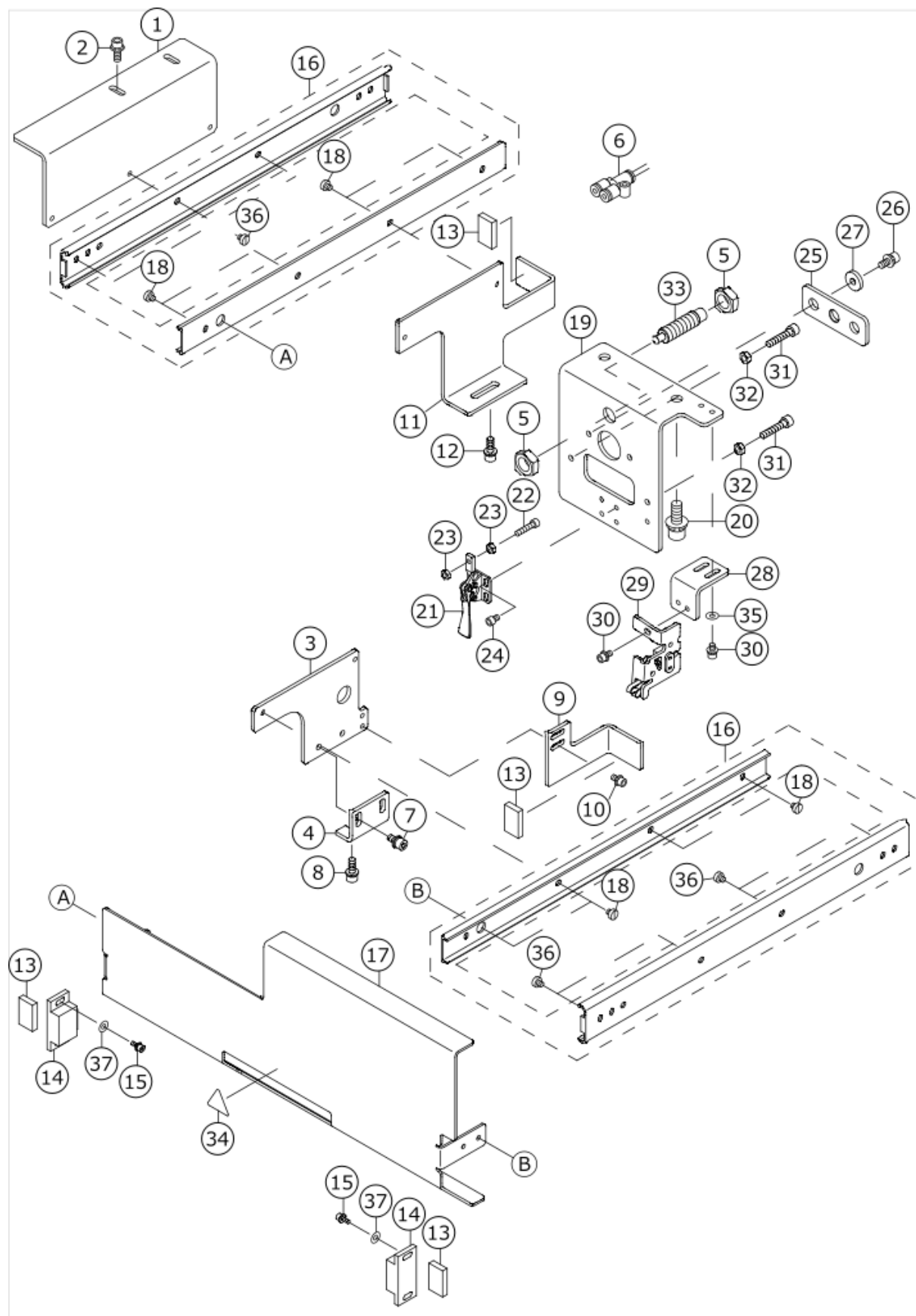
# CLAMP FOOT COMPONENTS



No.	品番	品名	備考	子部品	消耗品	個数
1	40071945	STEPPING MOTOR				1.00
2	SM6051602TN	BOLT				4.00
3	40149543	COVER SUPPORT PLATE				1.00
4	40145338	CLAMP FOOT PLATE A				1.00
5	SM0081001SC	SCREW M8 L=10				6.00
6	40145339	CLAMP FOOT PLATE B				1.00
7	SM0040601SC	SCREW M4X0.7 L=6				6.00
8	40145359	CABLE CHAIN				1.00
9	SM1061201SN	SCREW M6 L=12				8.00
10	HX00150000A	CABLE CLAMP				5.00
11	SL4041091SC	SCREW M4 L=10				5.00
12	HX00150000C	CABLE CLIP				4.00
13	SL4041091SC	SCREW M4 L=10				4.00
14	EA9500B0100	CABLE BAND				20.00
15	SL4041091SC	SCREW M4 L=10				2.00
16	HX00150000H	CABLE CLIP				1.00
17	SL4041091SC	SCREW M4 L=10				1.00
18	HX00150000K	CABLE CLIP				1.00
19	SL4041091SC	SCREW M4 L=10				1.00
20	SM6060802TN	BOLT				2.00

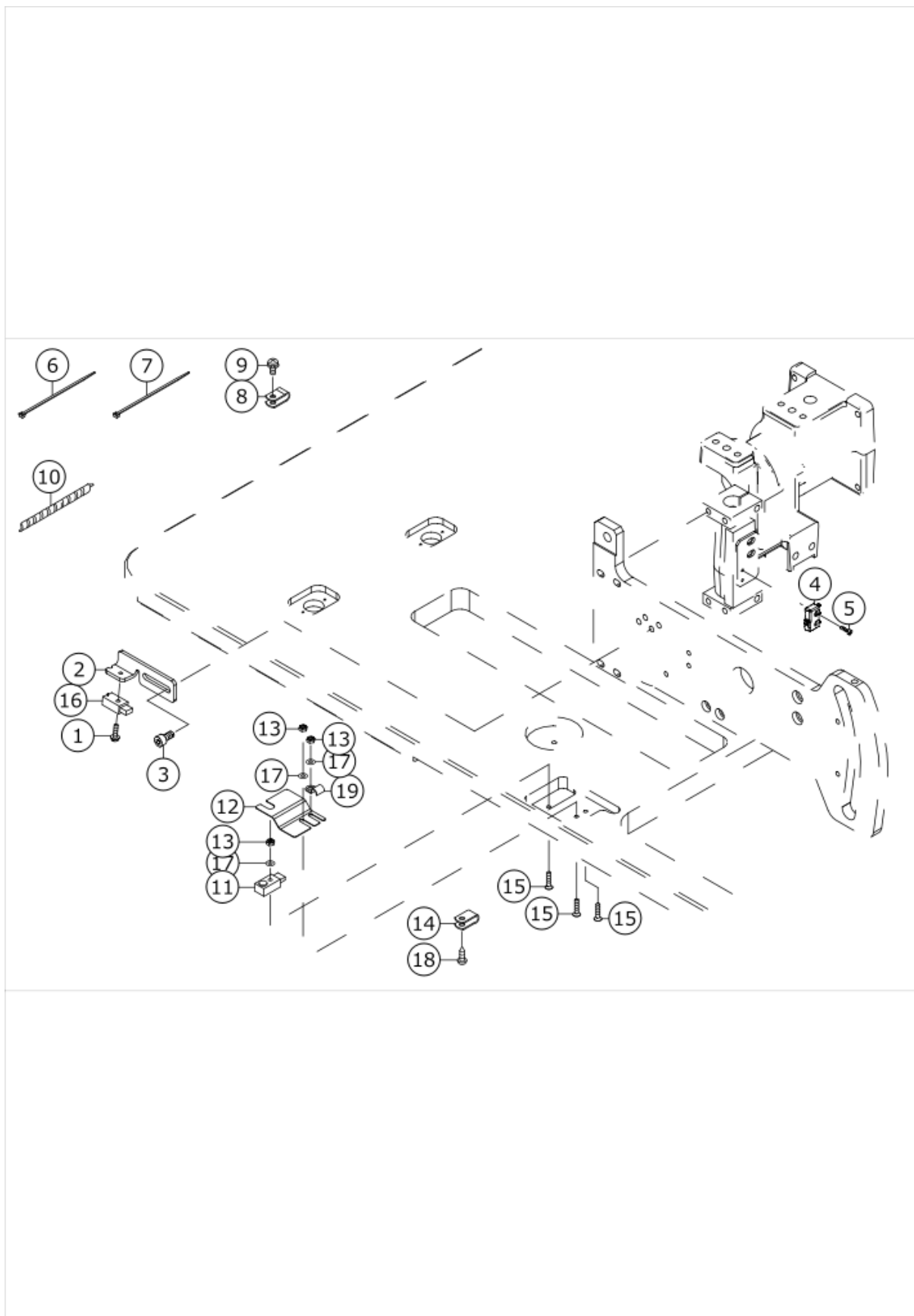


# CORNER KNIFE COMPONENTS



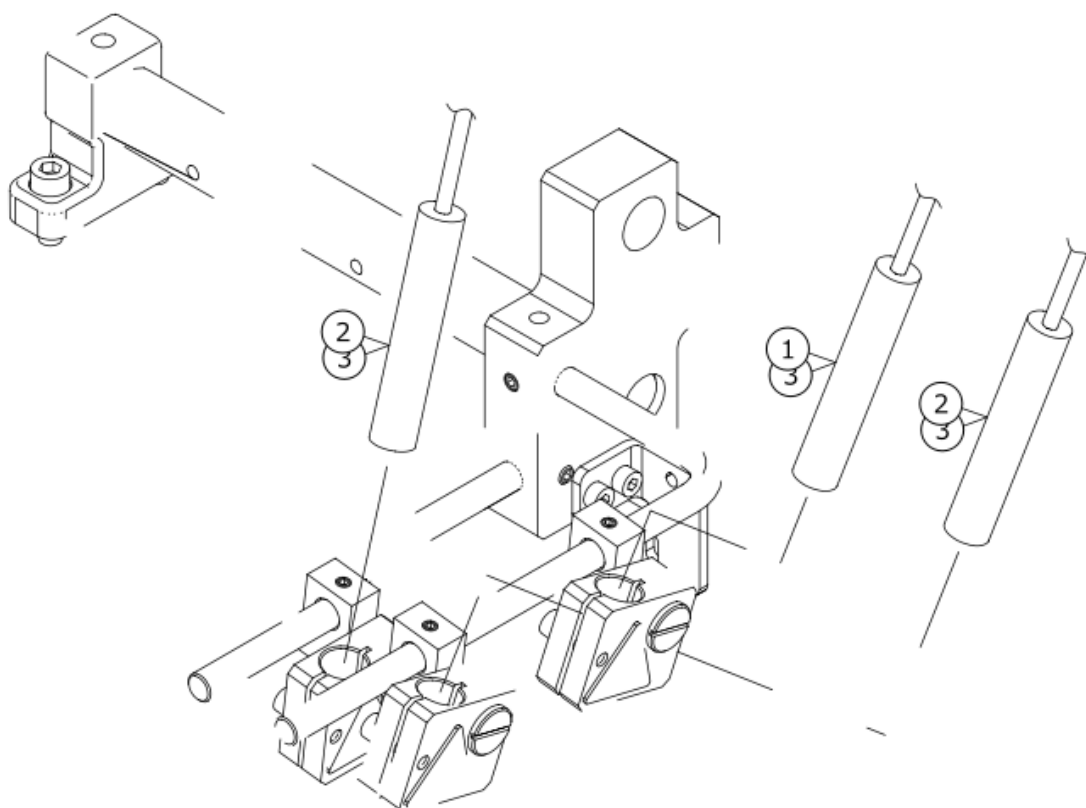
No.	品番	品名	備考	子部品	消耗品	個数
1	40059494	SLIDE_BASE_A				1.00
2	SL6051492TN	BOLT				2.00
3	40023189	SLIDE_BRACKET_A				1.00
4	40023176	SLIDE_BRACKET_C				1.00
5	NM6120003SC	NUT M12				2.00
6	PJ308040002	QUICK COUPLING				2.00
7	SL6051092TN	BOLT				2.00
8	SL6051492TN	BOLT				2.00
9	40033795	UNIT_FIXED_BKT_A				1.00
10	SL6040892TN	BOLT				2.00
11	40023190	SLIDE_BRACKET_B				1.00
12	SL6051492TN	BOLT				2.00
13	40039896	CUSHION				4.00
14	E5158715000	MAGNET CATCH				2.00
15	SL6030692TN	BOLT				4.00
16	40035072	SLIDE_RAIL				2.00
17	40033793	CORNER_KNIFE_UNIT_COVER				1.00
18	SM6040460TP	SCREW M4 L=4.2				8.00
19	40023200	FRAME_BRACKET				1.00
20	SL6082092TN	BOLT				2.00
21	40033786	TOGGLE_CLAMP				1.00
22	SM6041802TN	SCREW M4X0.7 L=18				1.00
23	NM6040001SC	NUT M4				2.00
24	SM6040602TN	BOLT				4.00
25	40033791	GUIDE_PLATE				1.00
26	SL6051292TN	BOLT				2.00
27	WP0553216SD	WASHER				2.00
28	40033797	OPEN_SENSOR_BRACKET				1.00
29	M8598610AA0	HEAD DETECT SWITCH ASM.				1.00
30	SL6040892TN	BOLT				3.00
31	SM6052502TN	HEXAGONAL-HOLE BOLT				2.00
32	NM6050001SC	NUT M5				2.00
33	40044019	SPRING_PLUNGER				1.00
34	CM300200002	CAUTION LABEL(25)				1.00
35	WP0410516SD	PLAIN WASHER				2.00
36	SM6040650TP	SCREW				7.00
37	14030100	WASHER				4.00

# BINDER COMPONENTS



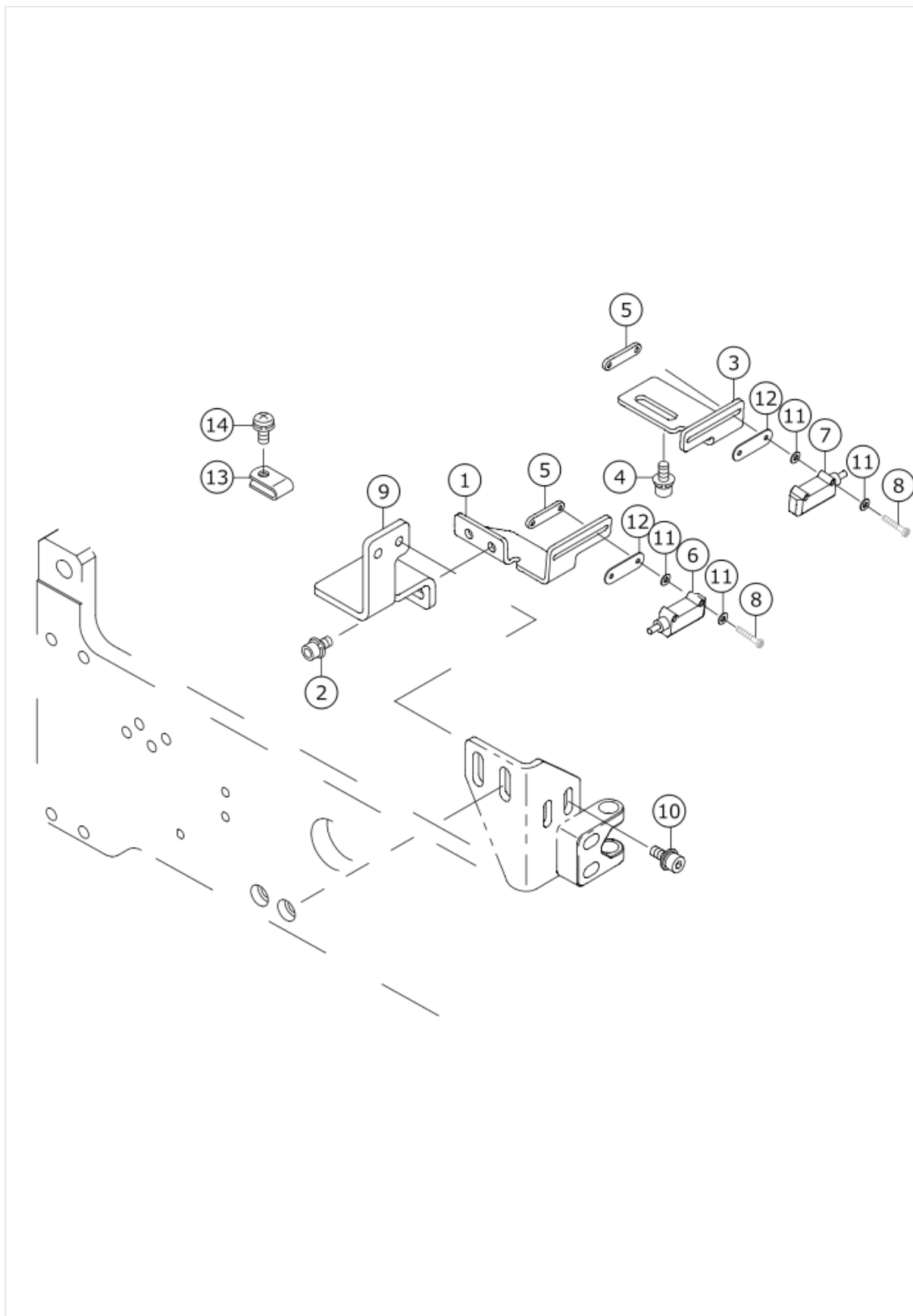
No.	品番	品名	備考	子部品	消耗品	個数
1	SL4031091SC	SCREW M3X10				2.00
2	40145463	SENSOR_PLATE / /N				1.00
3	SM6051002TN	BOLT				2.00
4	40044001	BINDER OPEN SWITCH ASM.				1.00
5	SM6020802TN	SCREW M2 L=8				2.00
6	EA9500B0000	CLIP CV-70S				1.00
7	EA9500B0100	CABLE BAND				2.00
8	HX00150000A	CABLE CLAMP				1.00
9	SL4041091SC	SCREW M4 L=10				1.00
10	HX00314000B	SPIRAL TUBE				0.30
11	HD003150000	SENSOR				1.00
12	40145464	SENSOR COVER				1.00
13	NM6030001SC	NUT M3X0.5 TYPE1				3.00
14	HX00150000A	CABLE CLAMP				2.00
15	SM1031401SC	SCREW M3X0.5 L=14				3.00
16	HD003160000	SENSOR				1.00
17	WP0320501SC	WASHER M3				3.00
18	SK3381301SE	WOOD SCREW D=3.8 L=13				2.00
19	B3538112000	OIL RETURN TUBE HOLDER				1.00

# MARKING LIGHT COMPONENTS



No.	品番	品名	備考	子部品	消耗品	個数
1	KE000000020	LAMP				1.00
2	KE000000010	LAMP				2.00
3	KE000000020	LAMP	FOR LONG SIZE			3.00

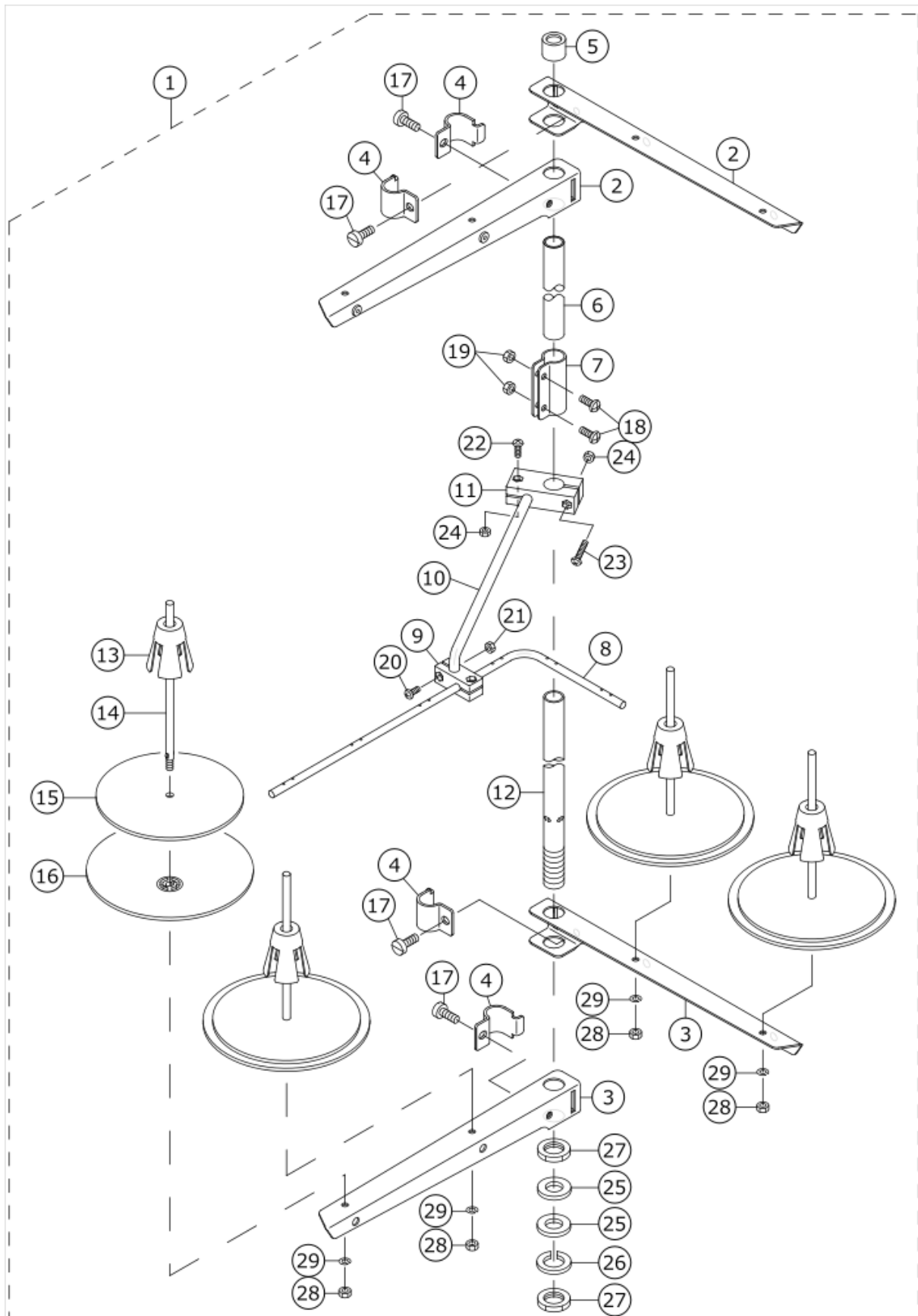
# FLAP PHOTOTUBE COMPONENTS



No.	品番	品名	備考	子部品	消耗品	個数
1	40042205	FLAP_SENSOR_BRACKET_L				1.00
2	SL6040892TN	BOLT				2.00
3	40034459	FLAP_SENSOR_BRACKET_R				1.00
4	SL6040892TN	BOLT				2.00
5	40034460	FLAP_SENSOR_BRACKET				2.00
6	40078661	FLAP_SENSOR_N_ASM_L				1.00
7	40078662	FLAP_SENSOR_N_ASM_R				1.00
8	SM4021201SC	SCREW M2 L=12				4.00
9	40042206	FLAP_SENSOR_BRACKET_A				1.00
10	SL6041092TN	SCREW				4.00
11	WP0220301SC	WASHER M2				4.00
12	40053421	FIBER_BRACKET_SPACER				2.00
13	HX001500000	CLIP				1.00
14	SL4041091SC	SCREW M4 L=10				1.00

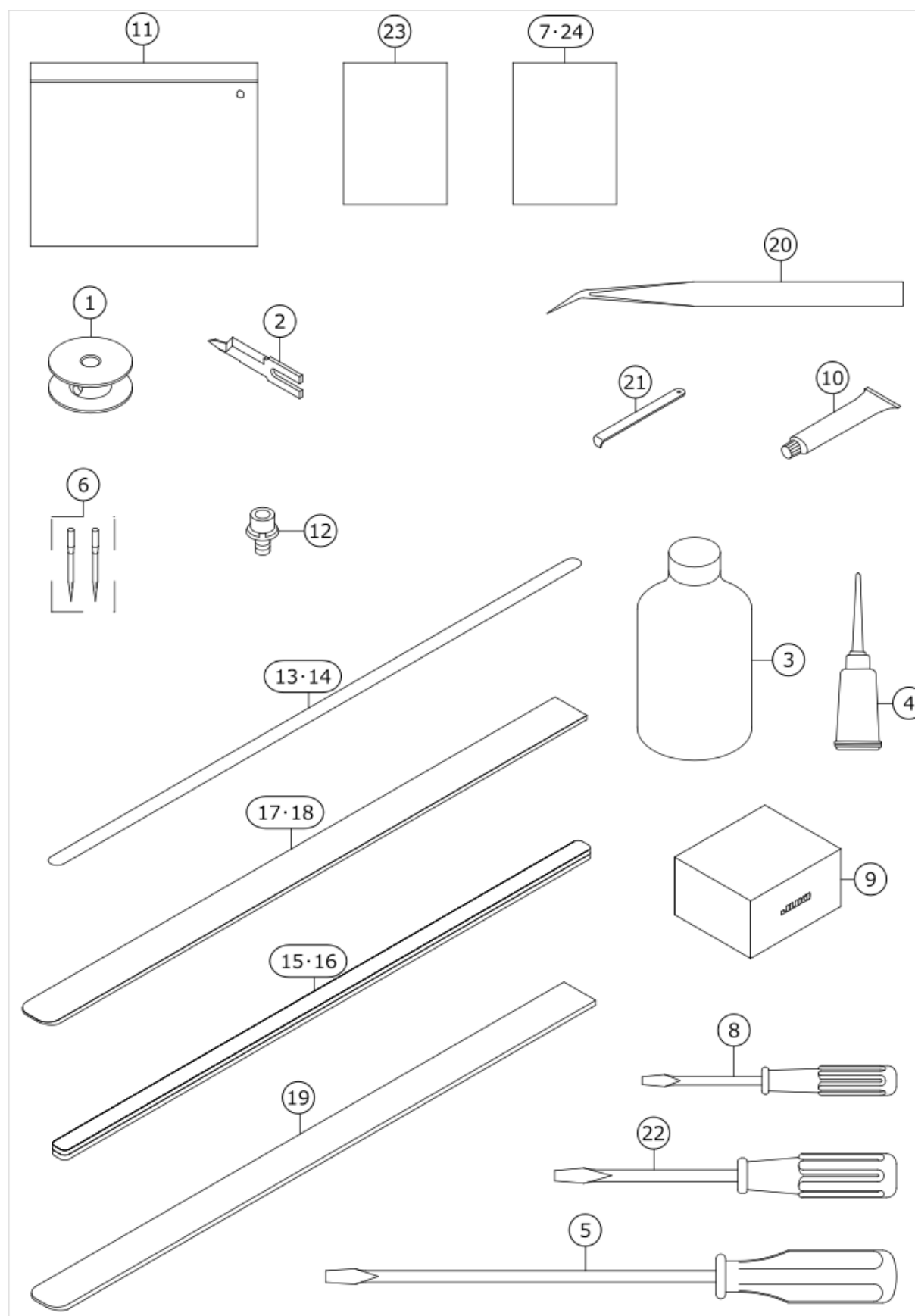


# THREAD STAND COMPONENTS



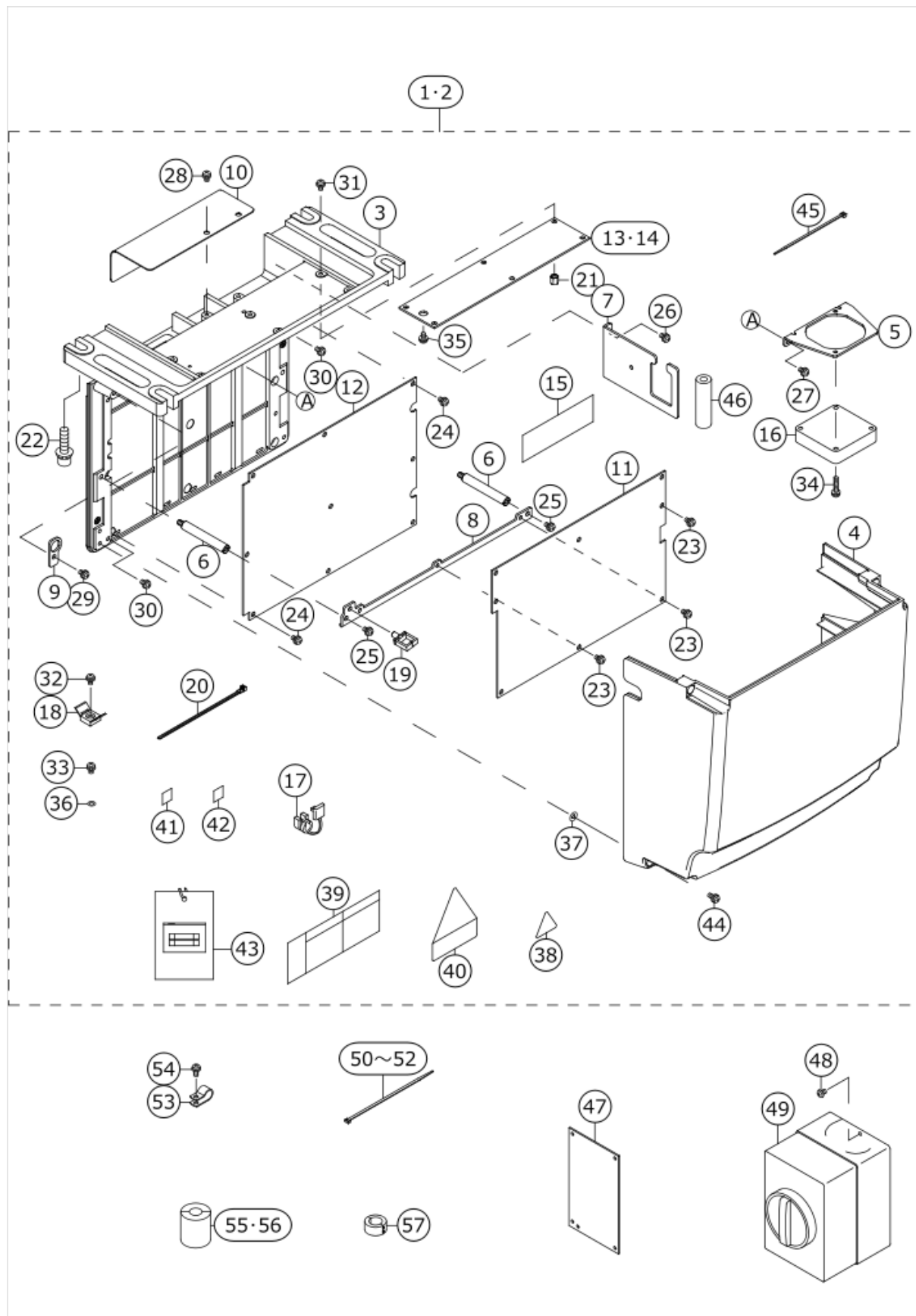
No.	品番	品名	備考	子部品	消耗品	個数
1	13167556	THREAD STANDING DEVICE ASM.				1.00
2	22930556	THREAD STANDING ARM ASM.		*		2.00
3	22930507	SPOOL REST ARM		*		2.00
4	22930705	THREAD GUIDE ARM JOINT		*		4.00
5	22931406	SPOOL REST ROD RUBBER CAP		*		1.00
6	22930408	SPOOL REST ROD UPPER		*		1.00
7	22931307	SPOOL REST ROD JOINT		*		1.00
8	13167903	THREAD STANDING THREAD GUIDE		*		1.00
9	13168000	THREAD GUIDE BASE LOWER		*		1.00
10	13168109	THREAD GUIDE ARM BASE		*		1.00
11	13168208	THREAD GUIDE ARM BASE		*		1.00
12	22930309	SPOOL REST ROD LOWER		*		1.00
13	22931109	SPOOL RETAINER		*		4.00
14	22931000	SPOOL PIN		*		4.00
15	22930903	SPOOL REST CUSHION		*		4.00
16	22930804	SPOOL REST		*		4.00
17	SM6061610SC	SCREW M6 L=16		*		4.00
18	SM4051405SE	SCREW M5 L=14		*		2.00
19	NM6050001SE	NUT M5		*		2.00
20	SM4041001SC	SCREW M4X0.7 L=10		*		2.00
21	NM6040002SE	NUT M4X0.7		*		2.00
22	SM4041201SC	SCREW M4 L=12		*		1.00
23	SM4042001SC	SCREW M4X20		*		1.00
24	NM6040002SE	NUT M4X0.7		*		2.00
25	WP1612616SE	WASHER 16X30X2.6		*		2.00
26	WS1643202KR	SPRING WASHER		*		1.00
27	NM6160511SE	NUT M16X1.5		*		2.00
28	NM6050001SE	NUT M5		*		4.00
29	WS0510002KN	SPRING WASHER		*		4.00

# ACCESSORIE PART COMPONENTS



No.	品番	品名	備考	子部品	消耗品	個数
1	40066272	ASSY_BOBBIN				2.00
2	40026155	KNIFE_RIGHT_A				1.00
3	MDFRX1600C0	DEFRIX OIL NO.1(600CC)				1.00
4	B91210120A0	OILER ASM.				1.00
5	22933006	SCREW DRIVER LARGE				1.00
6	MDP170B1602	NEEDLE DPX17#16-2				2.00
7	40080025	INFORMATION OF THE BATTERY DISPOSAL(JP)	FOR EU/USA			1.00
8	12347308	SCREW DRIVER (SMALL)				1.00
9	40055297	HEAD COVER				1.00
10	40006323	JUKI GREASE A TUBE				1.00
11	22932800	ACCESSORIE BAG				1.00
12	SL6051092TN	BOLT				4.00
13	40039942	REFLECTION_SHEET	FOR APW-895NS			2.00
14	40056942	REFLECTION_SHEET_W	FOR APW-895NL			2.00
15	40034826	FLAP_PRESSER_RUBBER	FOR APW-895NS			2.00
16	40040829	FLAP_PRESSER_RUBBER_W	FOR APW-895NL			2.00
17	40034825	GARMENT_CLAMP_RUBBER	FOR APW-895NS			2.00
18	40040827	GARMENT_CLAMP_RUBBER_W	FOR APW-895NL			2.00
19	40077797	GARMENT_CLAMP_RUBBER(SPONGE)	FOR APW-895NS			2.00
20	12288403	TWEEZERS				1.00
21	B9101490000	DRIVER				1.00
22	22933105	SCREW DRIVER MIDDLE				1.00
23	40151206	EC DECLARATION(COMPLETE)	FOR EU			1.00
24	40088999	INFO OF THE BATTERY DISPOSAL BRA(JP)	FOR STANDARD			1.00

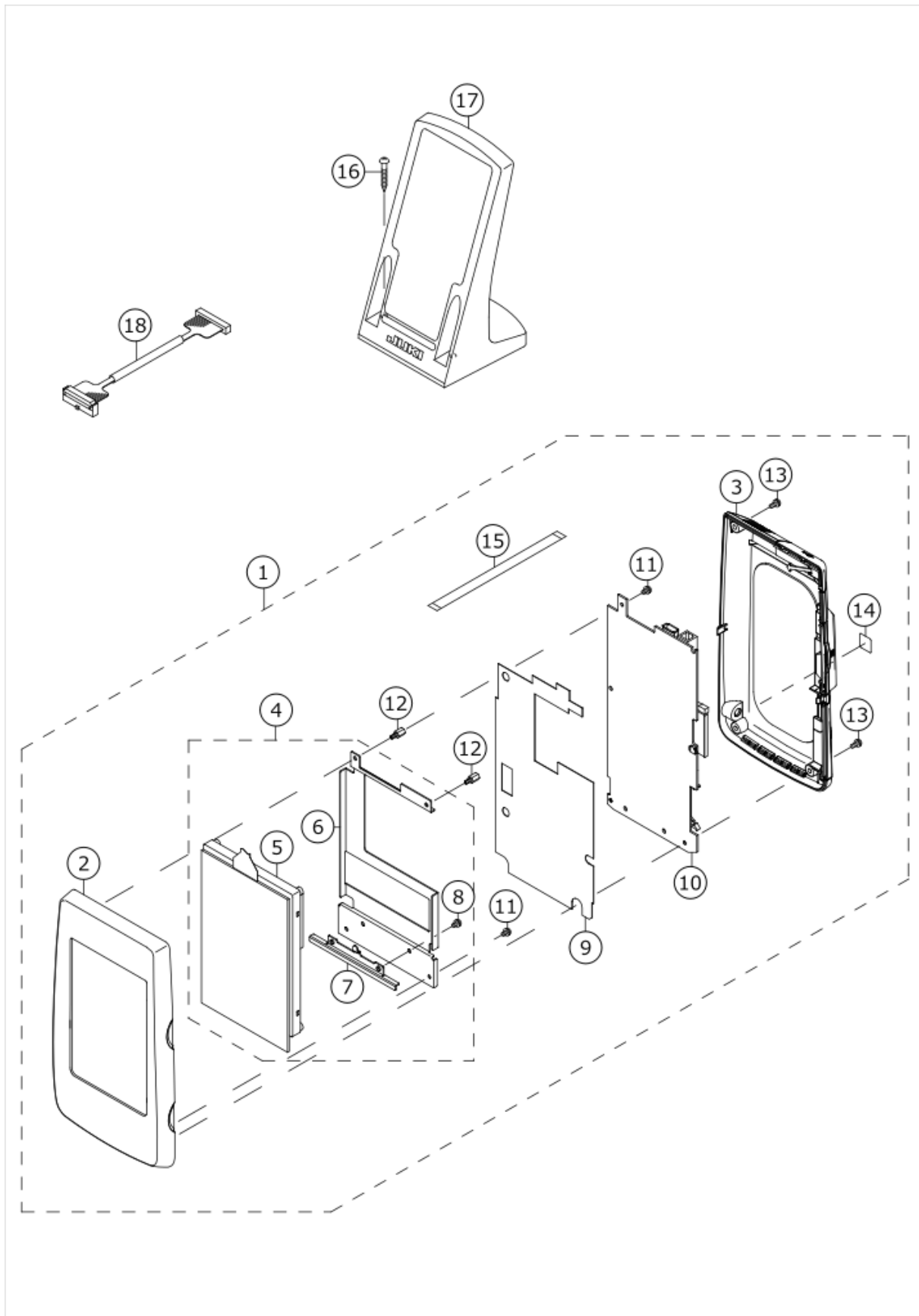
# TRANSMISSION BOX COMPONENTS



No.	品番	品名	備考	子部品	消耗品	個数
1	40151330	CTL BOX A ASM	FOR 1-PHASE 220 ~ 240V			1.00
2	40151331	CTL BOX B ASM	FOR 3-PHASE 200 ~ 240V			1.00
3	40143989	FRAME_B		*		1.00
4	40114136	COVER		*		1.00
5	40115874	FAN_PLATE		*		1.00
6	40143990	STUD		*		2.00
7	40115876	PLATE_B		*		1.00
8	40115877	MAIN_PLATE		*		1.00
9	40115878	PLATE_C		*		1.00
10	40115879	FAN_COVER		*		1.00
11	40145110	MAIN PCB ASSY		*		1.00
12	40198335	SDC PCB ASSY		*		1.00
13	40161890	FLT-T PCB ASSY	FOR 3-PHASE 200 ~ 240V	*		1.00
14	40105475	FLT-CE PCB ASSY	FOR 1-PHASE 220 ~ 240V	*		1.00
15	40114398	MAIN COOL SHEET		*		2.00
16	40153316	FAN MOTOR ASSY		*		1.00
17	KX000000320	BUSH		*		1.00
18	KX000000260	SADDLE TYPE TIE MOUNT		*		1.00
19	HX00222000D	WIRE SADDLE		*		1.00
20	HX00292000A	CABLE BAND		*		1.00
21	HX00339000M	SPACER		*		6.00
22	SL6083092TN	SCREW M8 L=30		*		4.00
23	SL4040881SC	SCREW M4 L=8		*		8.00
24	SL4040881SC	SCREW M4 L=8		*		4.00
25	SL4040881SC	SCREW M4 L=8		*		2.00
26	SL4040881SC	SCREW M4 L=8		*		2.00
27	SL4040881SC	SCREW M4 L=8		*		2.00
28	SL4040881SC	SCREW M4 L=8		*		2.00
29	SL4040881SC	SCREW M4 L=8		*		1.00
30	SL4040881SC	SCREW M4 L=8		*		2.00
31	SL4040881SC	SCREW M4 L=8		*		6.00
32	SL4040881SC	SCREW M4 L=8		*		1.00
33	SL4040881SC	SCREW M4 L=8		*		1.00
34	SL4040881SC	SCREW M4 L=20		*		2.00
35	SL4042091SC	SCREW M4X0.7 L=20		*		1.00
36	WP0430800SC	WASHER M4		*		1.00
37	M8002430000	STOPPER		*		4.00
38	CM300100001	VOLTAGE WARNING LABEL (31.5) /n	FOR 1-PHASE 220 ~ 240V	*		1.00
39	CM300100402	VOLTAGE DANGER LABEL 3 (SMALL)	FOR 3-PHASE 200 ~ 240V	*		1.00
40	CM300400602	VOLTAGE CAUTION LABEL L=25		*		1.00
41	CM600100101	WEEE MARK LABEL S	FOR 1-PHASE 220 ~ 240V	*		1.00
42	40150131	EAC MARK	FOR 1-PHASE 220 ~ 240V	*		1.00

43	40145076	ACCESSORIE PART ASSY		*		1.00
44	SL4041281SC	SCREW M4 L=12		*		4.00
45	EA9500B0100	CABLE BAND		*		1.00
46	E8760452S00	TUBE		*		0.06
47	40145096	INT PCB ASSY				2.00
48	SL4040691SC	SCREW M4 L=6				1.00
49	HA005820000	SWITCH				1.00
50	EA9500B0100	CABLE BAND				20.00
51	EA9500B0200	CABLE BAND				10.00
52	HX00065000A	CABLE BAND				3.00
53	HX00150000M	CABLE CLAMP				1.00
54	SL4041091SC	SCREW M4 L=10				1.00
55	HN002840000	CORES	FOR 1-PHASE 220 ~ 240V			1.00
56	HN002110000	CORES	FOR 1-PHASE 220 ~ 240V			1.00
57	HN002460000	CORES	FOR 1-PHASE 220 ~ 240V			1.00

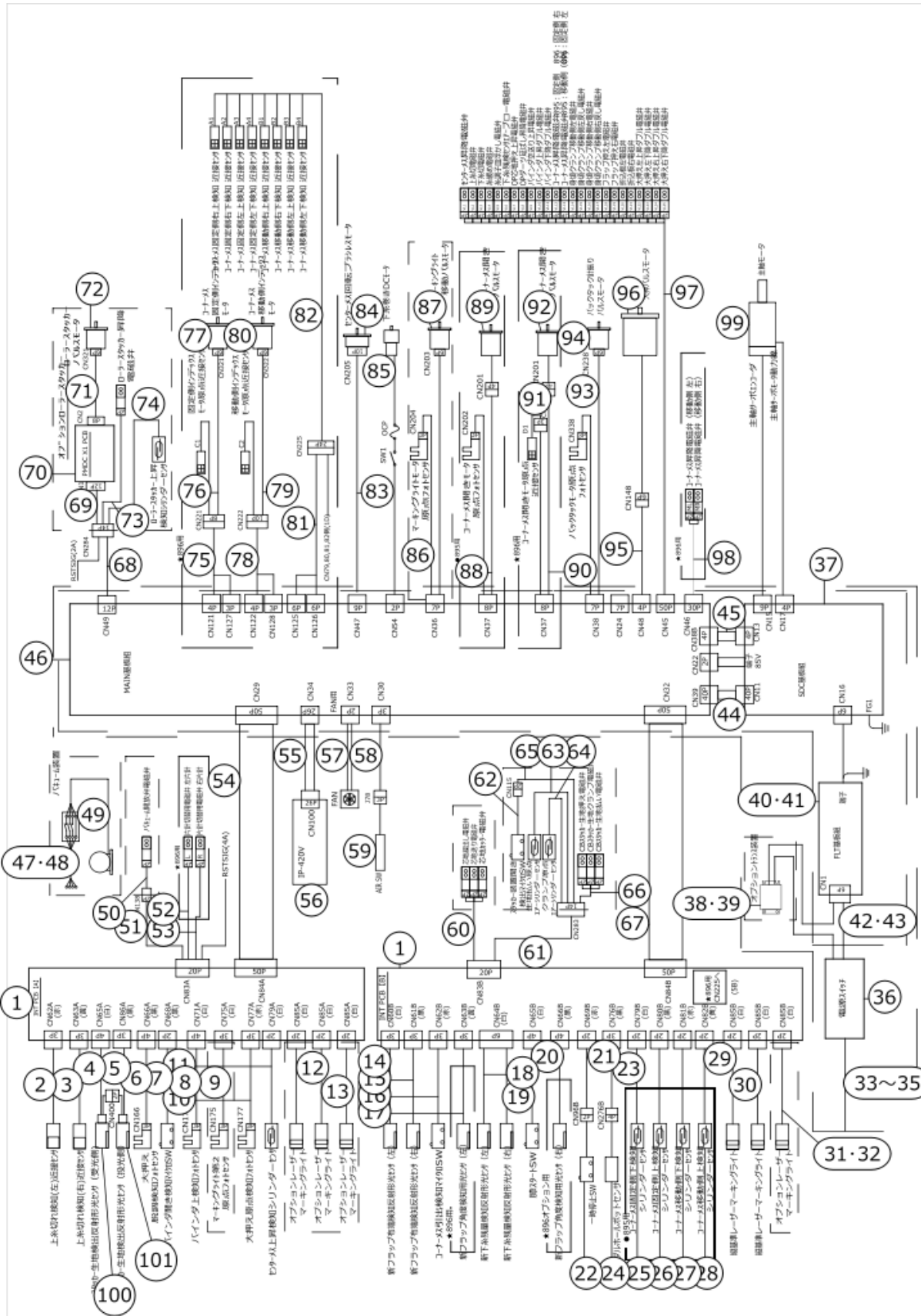
# OPERATION PANEL COMPONENTS





No.	品番	品名	備考	子部品	消耗品	個数
1	40157654	IP-420V PANEL ASSY				1.00
2	40078163	FRONT_CASE		*		1.00
3	40080799	REAR_CASE_ASSY		*		1.00
4	40080800	LCD_ASSY		*		1.00
5	40086541	LCD TOUCH PANEL ASSY		*		1.00
6	40083668	LCD_BRACKET		*		1.00
7	40083666	LCD_STAY		*		1.00
8	SL4030681SC	SCREW M3 L=6		*		2.00
9	40078168	INSULATION_SHEET		*		1.00
10	40083960	PANEL PCB ASSY		*		1.00
11	SL4030681SC	SCREW M3 L=6		*		3.00
12	HX00354000B	PCB SUPPORT L=8MM		*		2.00
13	SL4030881SC	SCREW M3X8		*		4.00
14	CM600100101	WEEE MARK LABEL S		*		1.00
15	HW002180200	FLAT CABLE		*		1.00
16	SK3413201SE	WOOD SCREW D=4.1 L=32				2.00
17	40035024	OPERATION_BOX_FIXED_PLATE (B) ASM.				1.00
18	40065566	PANEL CABLE D ASM.				1.00

# WIRING DIAGRAM

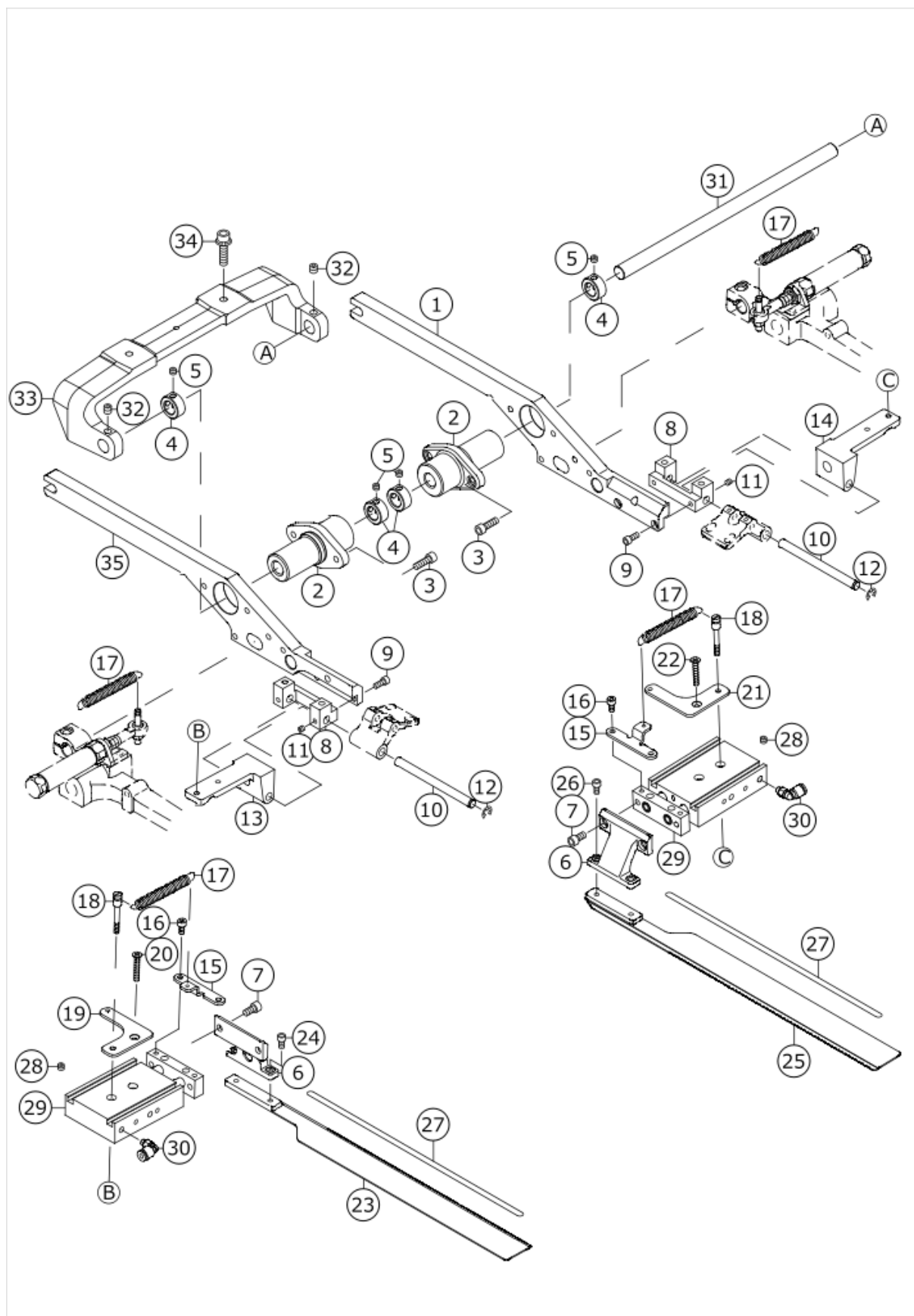


No.	品番	品名	備考	子部品	消耗品	個数
1	40145096	INT PCB ASSY				1.00
2	40043997	THREAD CHECK SENSOR ASM (L)				1.00
3	40043996	THREAD CHECK SENSOR ASM (R)				1.00
4	40149108	CLOTH SENSOR (DETECT) CORD ASM				1.00
5	40149109	CLOTH SENSOR (FLOOD) CORD ASM				1.00
6	40043982	STEP OUT SENSOR CORD ASM				1.00
7	40044001	BINDER OPEN SWITCH ASM				1.00
8	40043989	BINDER SENSOR RERAY COAD ASM				1.00
9	40043986	MARKING RIGHT 2NDORG CORD ASM				1.00
10	40043983	BIG PRESSER ORG SENSOR CORD ASM				1.00
11	40149712	AIRCYLINDER SENSOR CN79A				1.00
12	KE000000010	LAMP	OPTIONAL DEVICE			1.00
13	KE000000020	LAMP	OPTIONAL DEVICE			1.00
14	40078661	FLAP SENSOR N ASM L				1.00
15	40078662	FLAP SENSOR N ASM R				1.00
16	40043991	CORNER KNIFE DRAWER SW CORD ASM				1.00
17	40078664	FLAP SENSOR N ASM L SUB				1.00
18	40078663	BOBIN SENSOR N ASSY				1.00
19	40026945	NEE_SWITCH_ASSY				1.00
20	40078665	FLAP SENSOR N ASM R SUB	OPTIONAL DEVICE			1.00
21	40043994	STOP SW RERAY COAD ASM				1.00
22	32002354	SWITCH ASM.				1.00
23	40149643	PEDAL SENSOR CORD ASM				1.00
24	40006136	SENSOR A ASM				1.00
25	40145439	AIR_CYLINDER_SENSOR				1.00
26	40145440	AIR_CYLINDER_SENSOR				1.00
27	40145435	AIR_CYLINDER_SENSOR				1.00
28	40145436	AIR_CYLINDER_SENSOR				1.00
29	KE000000020	LAMP				1.00
30	KE000000010	LAMP				1.00
31	KE000000010	LAMP	OPTIONAL DEVICE			1.00
32	KE000000020	LAMP	OPTIONAL DEVICE			1.00
33	40058397	AC POWER CORD B ASM	FOR 1-PHASE 20 0 ~ 240V(JE,GE NERAL EXPORT)			1.00
34	40058398	AC POWER CORD C ASM	FOR 3-PHASE 20 0 ~ 240V(USE I N JAPAN,JUS)			1.00
35	40070548	AC POWER CORD E ASM	OPTIONAL DEVICE			1.00
36	HA005820000	SWITCH				1.00
37	40198335	SDC PCB ASSY				1.00
38	40045780	SA128_HIGH_VOLTAGE_TRANS	OPTIONAL DEVICE			1.00
39	40005423	POWER CORD ASSY	OPTIONAL DEVICE			1.00

40	40105475	FLT-CE PCB ASSY	FOR 1-PHASE 200 ~ 240V(JE,GENERAL EXPORT)			1.00
41	40161890	FLT-T PCB ASSY	FOR 3-PHASE 200 ~ 240V(USE IN JAPAN,JUS)			1.00
42	40153560	AC POWER CORD B ASM	FOR 1-PHASE 200 ~ 240V(JE,GENERAL EXPORT)			1.00
43	40032971	AC POWER CORD C ASM	FOR 3-PHASE 200 ~ 240V(USE IN JAPAN,JUS)			1.00
44	40114375	SDC-MAIN S CORD ASM				1.00
45	40114373	SDC-MAIN P1 CORD ASM				1.00
46	40145110	MAIN PCB ASSY				1.00
47	40044892	AC POWER CORD D ASM	OPTIONAL DEVICE			1.00
48	HA003980000	SWITCH	OPTIONAL DEVICE			1.00
49	G6951172CA0	HITACHI POWER CORD COMPL.	OPTIONAL DEVICE			1.00
50	40032964	AIR VALVE CABLE ASM	OPTIONAL DEVICE			1.00
51	40043987	VACUUM SOLENOID VALVE CORD ASM				1.00
52	40032964	AIR VALVE CABLE ASM				1.00
53	40032964	AIR VALVE CABLE ASM				1.00
54	40149110	INT-I/F CORD A ASM				1.00
55	40065566	PANEL CABLE D ASM				1.00
56	40157653	IP-420V COMPLETE				1.00
57	40153316	FAN MOTOR ASSY				1.00
58	40043992	AIR SW CORD ASM				1.00
59	G56042540A0	FILTER REGULATER ASM.				1.00
60	40032964	AIR VALVE CABLE ASM	OPTIONAL DEVICE			1.00
61	40043985	STACKER CORD ASM				1.00
62	M8598610AA0	HEAD DETECT SWITCH COMPL.	OPTIONAL DEVICE			1.00
63	40150447	AIR_CYLINDER_SENSOR	OPTIONAL DEVICE			1.00
64	40145445	AIR_CYLINDER_SENSOR	OPTIONAL DEVICE			1.00
65	40044893	STACKER CORD B ASM	OPTIONAL DEVICE			1.00
66	40149354	AIR VALVE CABLE ASM	OPTIONAL DEVICE			1.00
67	40149111	INT-I/F CORD B ASM				1.00
68	40043988	ROLLER STACKER RERAY CORD B ASM				1.00
69	40044887	ROLLER STACKER RERAY CORD C ASM	OPTIONAL DEVICE			1.00
70	40040396	PMDC X1 PCB ASSY	OPTIONAL DEVICE			1.00

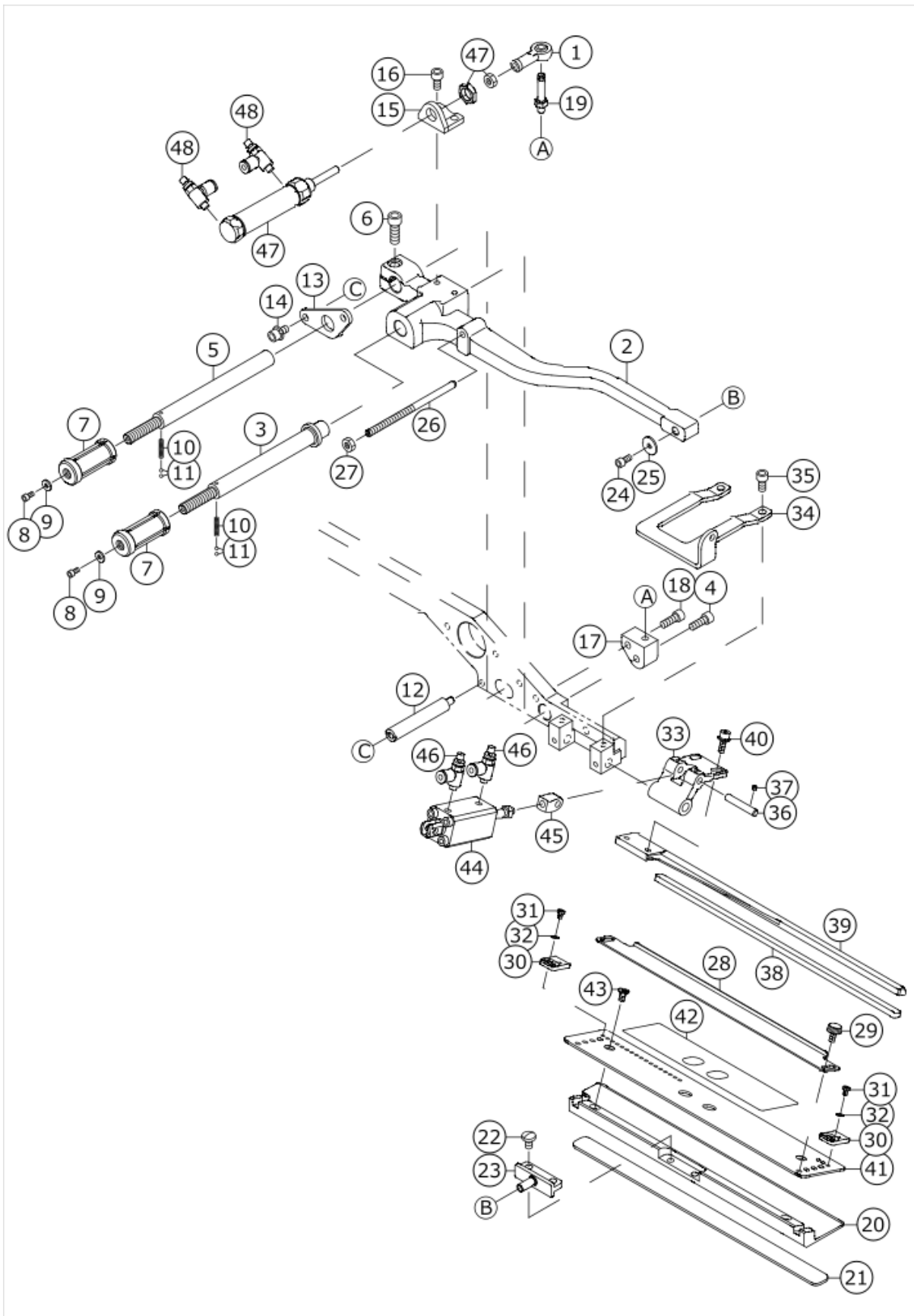
71	40114334	ROLLER STACKER RERAY CORD E ASM	OPTIONAL DEVICE			1.00
72	40044473	ROLLER STACKER MOTOR				1.00
73	40032964	AIR VALVE CABLE ASM	OPTIONAL DEVICE			1.00
74	40044632	AIRCYLINDER SENSOR CN284	OPTIONAL DEVICE			1.00
75	40062767	FIXED SIDE INDEX MOTOR RELAY CORD ASM				1.00
76	40062763	FIXED SIDE INDEX MOTOR SENSOR CORD ASM				1.00
77	40044473	CORNER KNIFE MOTOR				1.00
78	40062768	MOVEMENT SIDE INDEX MOTOR RELA CORD ASM				1.00
79	40062764	MOVEMENT SIDE INDEX MOTOR SENSOR ASM				1.00
80	40044473	CORNER KNIFE MOTOR				1.00
81	40062766	CORNER KNIFE CYLINDER SENSOR RELAY CORD				1.00
82	40062754	CORNER KNIFE CYLINDER SENSOR ASM				1.00
83	40176611	CENTER KNIFE MOTOR RELAY CORD				1.00
84	HM002290000	DC MOTOR				1.00
85	40059866	MOTOR ASSY B				1.00
86	40043979	MARKING RIGHT MOTOR RERAY CORD ASM				1.00
87	40149105	MARKING RIGHT MOTOR				1.00
88	40043975	CORNER KNIFE MOTOR RERAY CORD ASM				1.00
89	40149106	CORNER KNIFE MOTOR				1.00
90	40062765	CORNER KNIFE MOTOR RELAY CORD A ASM				1.00
91	40062753	CORNER KNIFE MOTOR SENSOR ASM				1.00
92	40149106	CORNER KNIFE MOTOR				1.00
93	40043993	REVERSE FEED MOTOR RERAY CORD ASM				1.00
94	40149105	BT MOTOR				1.00
95	40149113	BIG PRESSER MOTOR CORD ASM				1.00
96	40071945	STEPPING MOTOR				1.00
97	40035098	AIR SORENOID VALVE CORD				1.00
98	40062769	ADDITIONAL AIR SOLENOID VALVE CORD ASM				1.00
99	40138137	IPM550W MOTOR				1.00
100	HD003160000	CLOTH SENSOR (DETECT)				1.00
101	HD003150000	CLOTH SENSOR (FLOOD)				1.00

# CLAMP FOOT UNIT (1)



No.	品番	品名	備考	子部品	消耗品	個数
1	40026615	BASE_PRESSER_ARM_R				1.00
2	40034782	FULCLUM_BOSS				2.00
3	SM6051602TN	BOLT				4.00
4	CS1200981TP	THRUST COLLAR D=12 W=9				4.00
5	SM8050412TP	SCREW M5 L=4				4.00
6	40034804	FOLDING_PLATE_BKT				2.00
7	SM6051002TN	BOLT				4.00
8	40034800	TURNING_BASE_SUPPORT				2.00
9	SM6041002TN	BOLT				4.00
10	40034801	TURNING_BASE_SHAFT				2.00
11	SM8040412TP	SET SCREW M4 L=4				4.00
12	RE0500000K0	E-RING				2.00
13	40034802	TURNING_BASE_L				1.00
14	40034803	TURNING_BASE_R				1.00
15	40034810	FOLDING_PLATE_SPRING_BKT				2.00
16	SM6040802TN	SCREW				4.00
17	40037126	FOLDING_PLATE_SPRING_A				4.00
18	40034807	SPRING_HOLD_PIN				2.00
19	40034808	SPRING_HOLD_PLATE_L				1.00
20	SM1042501SC	SCREW M4X0.7 L=25				1.00
21	40034809	SPRING_HOLD_PLATE_R				1.00
22	SM1042501SC	SCREW M4X0.7 L=25				1.00
23	40034805	FOLDING_PLATE_L				1.00
24	SM6040802TN	SCREW				2.00
25	40034806	FOLDING_PLATE_R				1.00
26	SM6040802TN	SCREW				2.00
27	40039942	REFLECTION_SHEET				2.00
28	40151167	PLUG				2.00
29	PA1502007A0	AIR CYLINDER				2.00
30	PJ304040504	ELBOW UNION				2.00
31	40026371	PIVOT_SHAFT				1.00
32	SM8060612TP	SCREW M6 L=6				2.00
33	40145354	PIVOT_BASE VE				1.00
34	SL6062592TN	SCREW				2.00
35	40026614	BASE_PRESSER_ARM_L				1.00

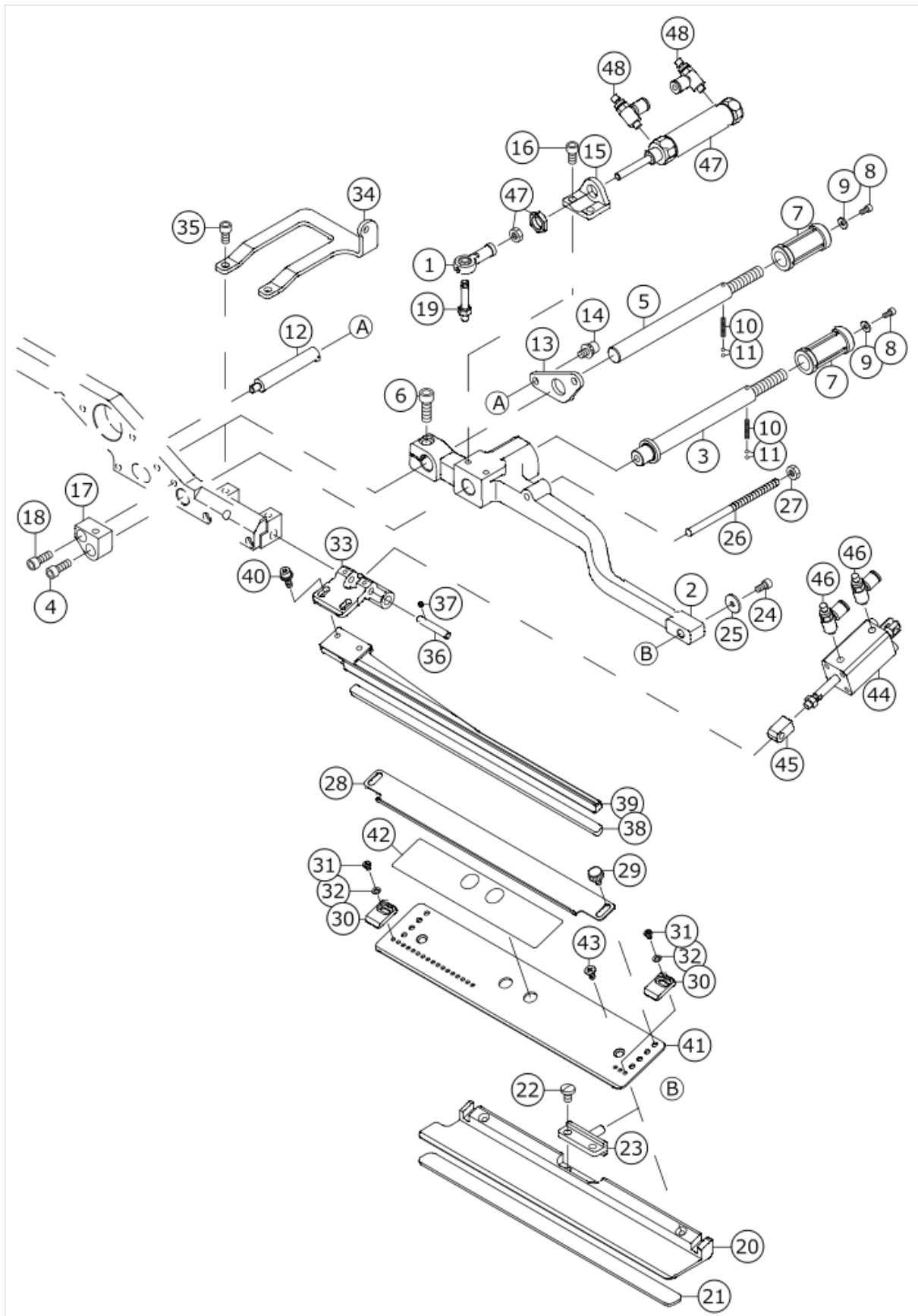
# CLAMP FOOT UNIT (2)





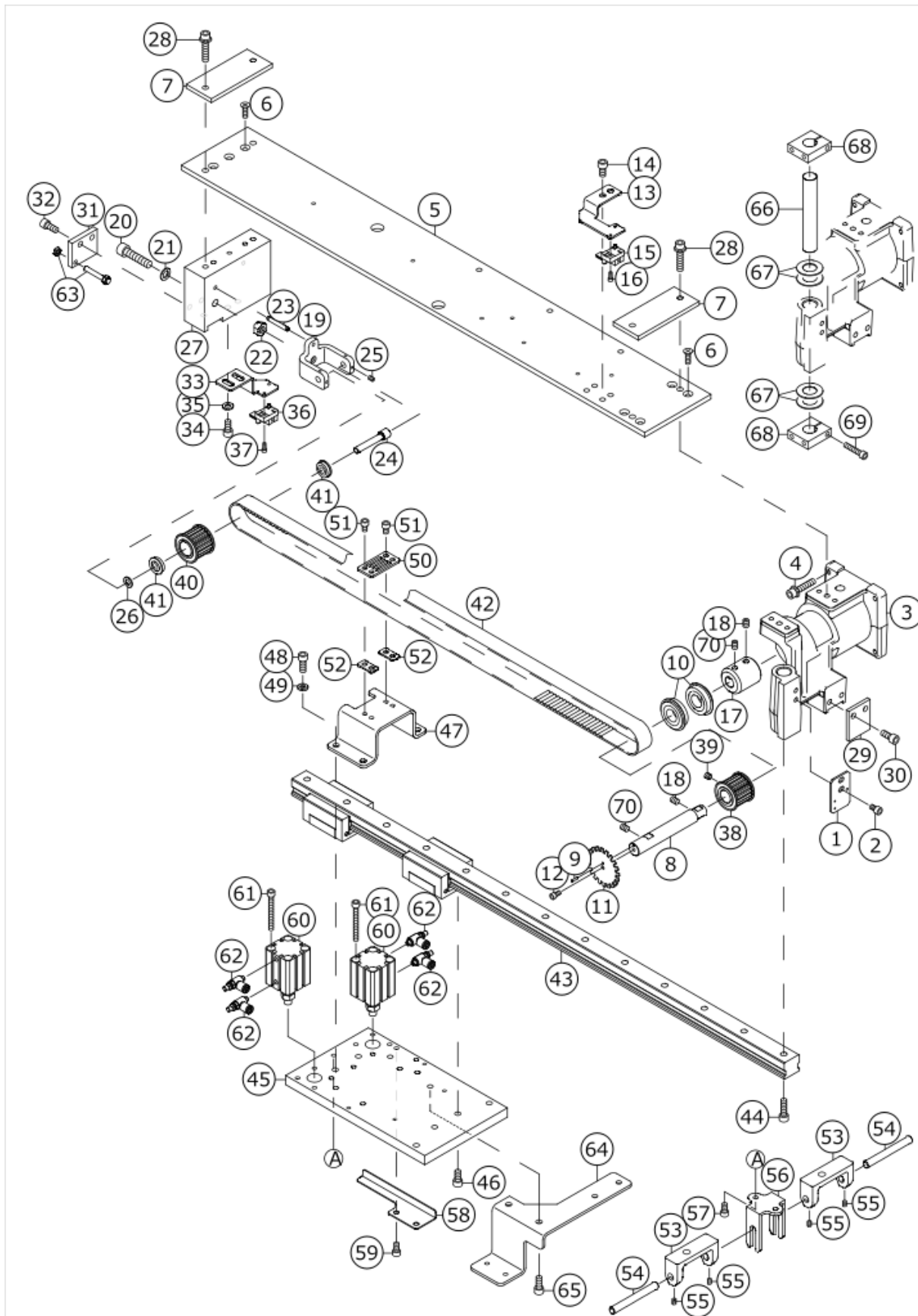
No.	品番	品名	備考	子部品	消耗品	個数
1	B1632180000	FEED ADJUSTING JOINT				1.00
2	40034784	GARMENT_CLAMP_ARM_L				1.00
3	40034786	SLIDING_SHAFT_A				1.00
4	SM6051402TN	HEXAGONAL-HOLE BOLT M5 L=14				1.00
5	40034787	SLIDING_SHAFT_B				1.00
6	SM6061802TN	BOLT				1.00
7	40034788	RATCHET_KNOB				2.00
8	SM6030602TN	HEX SCREW M3 X 6				2.00
9	B1829232000	WASHER				2.00
10	40058597	RATCHET_SPRING				2.00
11	B1410526000	BALL				4.00
12	40034791	STOPPER_STAD				2.00
13	40034792	STOPPER_PLATE				1.00
14	SL6051092TN	BOLT				2.00
15	40034793	SLIDE_CYLINDER_BKT				1.00
16	SM6051002TN	BOLT				2.00
17	40034794	JYJOINT_PIN_BKT_L				1.00
18	SM6051402TN	HEXAGONAL-HOLE BOLT M5 L=14				1.00
19	40034796	JOINT_PIN				1.00
20	40034798	GARMENT_CLAMP_L				1.00
21	25419904	GARMENT CLAMP RABBER (RIGHT)				1.00
22	SM7050850TP	SCREW M5 L=8				2.00
23	40034797	CLAMP_PIVOT_PIN				1.00
24	SM6040802TN	SCREW M4X0.7 L=8				1.00
25	B1707555000	WASHER				1.00
26	40034812	FOLDING_PLATE_STOPPER				1.00
27	NM6050001SC	NUT M5				1.00
28	40034823	FLAP_SCALE				1.00
29	40019379	KNOB_SCREW				2.00
30	40034824	FLAP_STOPPER				2.00
31	SM4030401SC	SCREW M3X0.5 L=4				2.00
32	WP0320500SC	WASHER M3				2.00
33	40034815	FLAP_PRESSER_ARM				1.00
34	40034813	FLAP_P_CYLINDER_BKT_L				1.00
35	SM6051002TN	BOLT				2.00
36	40034816	FLAP_PRESSER_PIN				1.00
37	SM8030312TP	SCREW M3 L=3				2.00
38	40034826	FLAP_PRESSER_RUBBER				1.00
39	40034818	FLAP_PRESSER_L				1.00
40	SL6041092TN	SCREW				2.00
41	40034820	FLAP_BASE_L				1.00
42	40044825	FLAP_SCALE_SEAL				1.00
43	SM1040801SC	SCREW M4X0.7 L=8				2.00
44	PA1202501A0	AIR CYLINDER				1.00
45	40034817	FLAP_PRESSER_JYJOINT				1.00
46	PC010508C00	SPEED CONTROLLER				2.00
47	PA1603503A0	AIR CYLINDER				1.00
48	PC010508C00	SPEED CONTROLLER				2.00

# CLAMP FOOT UNIT (3)



No.	品番	品名	備考	子部品	消耗品	個数
1	B1632180000	FEED ADJUSTING JOINT				1.00
2	40034785	GARMENT_CLAMP_ARM_R				1.00
3	40034786	SLIDING_SHAFT_A				1.00
4	SM6051402TN	HEXAGONAL-HOLE BOLT M5 L=14				1.00
5	40034787	SLIDING_SHAFT_B				1.00
6	SM6061802TN	BOLT				1.00
7	40034788	RATCHET_KNOB				2.00
8	SM6030602TN	HEX SCREW M3X6				2.00
9	B1829232000	WASHER				2.00
10	40058597	RATCHET_SPRING				2.00
11	B1410526000	BALL				4.00
12	40034791	STOPPER_STAD				2.00
13	40034792	STOPPER_PLATE				1.00
14	SL6051092TN	BOLT				2.00
15	40034793	SLIDE_CYLINDER_BKT				1.00
16	SM6051002TN	BOLT				2.00
17	40034795	JYJOINT_PIN_BKT_R				1.00
18	SM6051402TN	HEXAGONAL-HOLE BOLT M5 L=14				1.00
19	40034796	JOINT_PIN				1.00
20	40034799	GARMENT_CLAMP_R				1.00
21	25419805	GARMENT CLAMP RABBER (LEFT)				1.00
22	SM7050850TP	SCREW M5 L=8				2.00
23	40034797	CLAMP_PIVOT_PIN				1.00
24	SM6040802TN	SCREW				1.00
25	B1707555000	WASHER				1.00
26	40034812	FOLDING_PLATE_STOPPER				1.00
27	NM6050001SC	NUT M5				1.00
28	40034823	FLAP_SCALE				1.00
29	40019379	KNOB_SCREW				2.00
30	40034824	FLAP_STOPPER				2.00
31	SM4030401SC	SCREW M3X0.5 L=4				2.00
32	WP0320500SC	WASHER M3				2.00
33	40034815	FLAP_PRESSER_ARM				1.00
34	40034814	FLAP_P_CYLINDER_BKT_R				1.00
35	SM6051002TN	BOLT				2.00
36	40034816	FLAP_PRESSER_PIN				1.00
37	SM8030312TP	SCREW M3 L=3				2.00
38	40034826	FLAP_PRESSER_RUBBER				1.00
39	40034819	FLAP_PRESSER_R				1.00
40	SL6041092TN	SCREW				2.00
41	40034821	FLAP_BASE_R				1.00
42	40044825	FLAP_SCALE_SEAL				1.00
43	SM1040801SC	SCREW M4X0.7 L=8				2.00
44	PA1202501A0	AIR CYLINDER				1.00
45	40034817	FLAP_PRESSER_JYJOINT				1.00
46	PC010508C00	SPEED CONTROLLER				2.00
47	PA1603503A0	AIR CYLINDER				1.00
48	PC010508C00	SPEED CONTROLLER				2.00

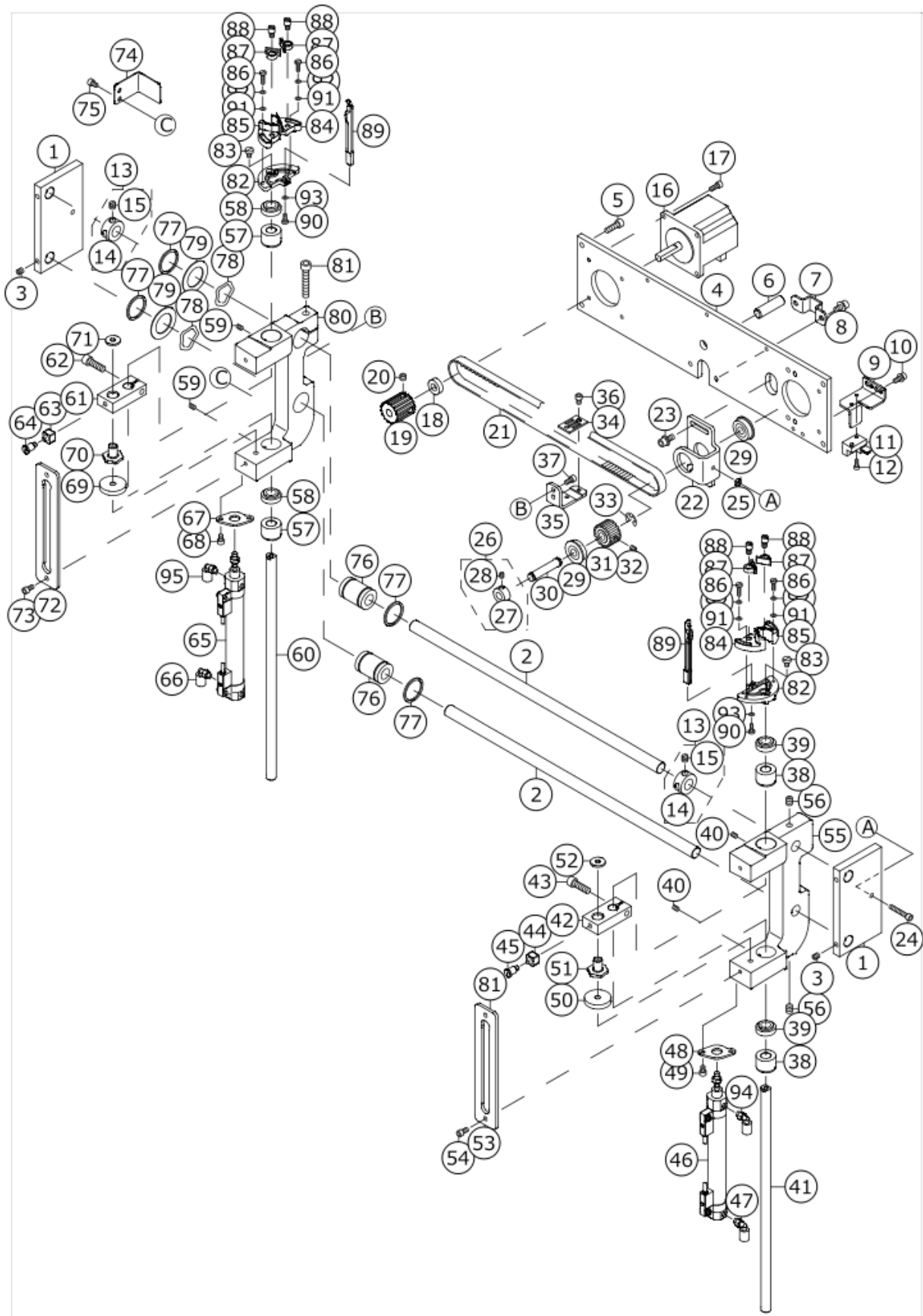
# CLAMP FOOT FEED UNIT



No.	品番	品名	備考	子部品	消耗品	個数
1	40034662	SENSOR PLATE				1.00
2	SM6051002TP	SCREW M5X0.8 L=10				2.00
3	40145357	CLAMP FOOT BASE				1.00
4	SL6063092TN	SCREW M6 L=30				4.00
5	40157583	CLAMP FOOT PLATE				1.00
6	SM1051601SC	SCREW M5X0.8 L=16				7.00
7	40026349	CLAMP_FOOT_SPACER				2.00
8	40026363	CLAMP_FOOT_MAIN_SHAFT				1.00
9	PS0200082KH	SPRING PIN				1.00
10	SB115000700	BALL BEARING				2.00
11	40033800	CLAMP_FEED_DETECTIVE_PLATE				1.00
12	SM6040802TN	SCREW M4X0.7 L=8				1.00
13	40033801	CLAMP_FEED_SENSOR_BKT				1.00
14	SM6060802TN	BOLT				2.00
15	HD00057000A	PHOTO SENSOR				1.00
16	SM6030802TN	BOLT				1.00
17	40026364	COUPLING				1.00
18	SM8060812TP	SCREW M6 L=8				2.00
19	40145363	FOLLOW PULLET BKT				1.00
20	SM6083502TN	SCREW				1.00
21	B255728000A	WASHER FOR DRIVING ARM				1.00
22	NM6080001SC	NUT M8X1.25				1.00
23	PS0400322KP	SPRING PIN 4.0X32				1.00
24	40026366	FOLLOW_PULLEY_SHAFT				1.00
25	SM8030412TP	SCREW				4.00
26	B4328220000	WASHER				1.00
27	40026367	CLAMP_FOOT_BLOCK				1.00
28	SL6063092TN	SCREW M6 L=30				4.00
29	40026368	LM_STOPPER_F				1.00
30	SM6061402TP	SCREW M6 L=14				2.00
31	40026369	LM_STOPPER_R				1.00
32	SM6061402TP	SCREW M6 L=14				2.00
33	40026370	SENSOR_BKT				1.00
34	SM6061202TP	SCREW M6 L=12				2.00
35	WP0641600SC	WASHER 6.4X12.5X1.6				2.00
36	HD00057000A	PHOTO SENSOR				1.00
37	SM6030802TN	BOLT				1.00
38	40145361	DRIVING PULLEY				1.00
39	SM8060612TP	SCREW M6 L=6				2.00
40	40145362	FOLLOW PULLEY				1.00
41	SB107000500	BEARING				2.00
42	40145360	TIMING BELT				1.00
43	40145355	LM GUIDE				1.00
44	SM6062002TN	SCREW M6 L=20				2.00
45	40026606	SLIDE_BASE				1.00
46	SM6061202TP	SCREW M6 L=12				4.00
47	40026607	BELT_CLAMP_BASE				1.00
48	SM6061602TN	SCREW M6 L=16				4.00
49	WP0612066SP	WASHER 6.1X11X2				4.00
50	40026609	BELT_CLAMP				1.00

51	SM6051002TP	SCREW M5X0.8 L=10				4.00
52	40040845	BELT_CLAMP_SPACER				2.00
53	40026611	LIFTING_BLOCK				2.00
54	40026612	LIFTING_SHAFT				2.00
55	SM8040612TP	SCREW M4 L=6				4.00
56	40026613	LIFTING_GUIDE				1.00
57	SM6051002TP	SCREW M5X0.8 L=10				2.00
58	40026617	SENSOR_PLATE				1.00
59	SM6051002TP	SCREW M5X0.8 L=10				2.00
60	PA2001701AC	AIR CYLINDER				2.00
61	SM6054502TN	SCREW M5 L=45				8.00
62	PC010508C00	SPEED CONTROLLER				4.00
63	40026822	STOPPER_BOLT				1.00
64	40149443	PAVING PLATE BASE				1.00
65	SM6061402TP	SCREW M6 L=14				2.00
66	40026341	PIVOT_SHAFT				1.00
67	B1220771000	THRUST WASHER A				4.00
68	40026329	BINDER_PIVOT_BASE_A				2.00
69	SM6052502TP	SCREW M5X0.8 L=25				2.00
70	SM8060802TP	SCREW M6 L=8				2.00

# CORNER KNIFE UNIT

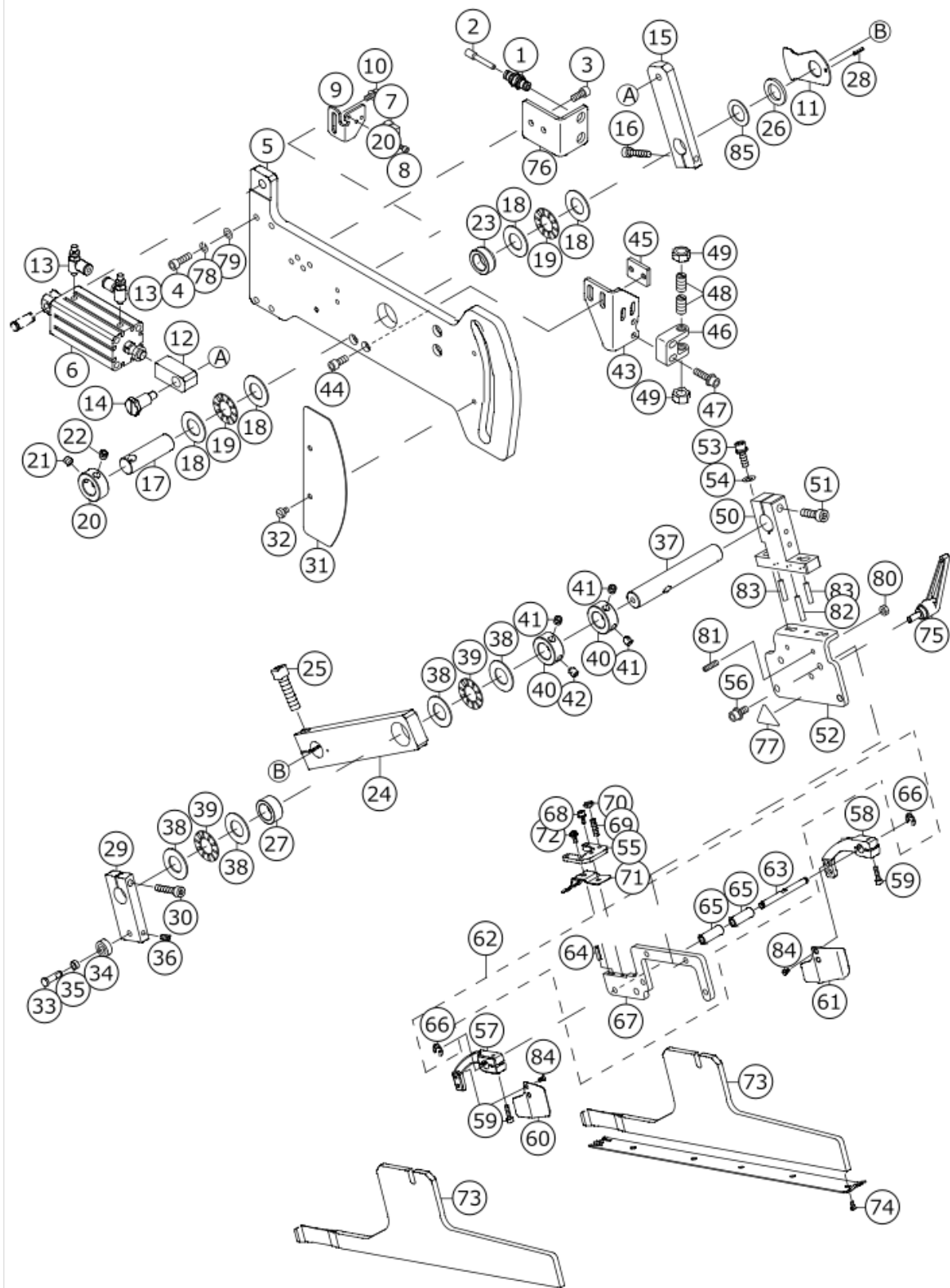


No.	品番	品名	備考	子部品	消耗品	個数
1	40023197	BASE_B				2.00
2	40023199	SLIDE_SHAFT				2.00
3	SM8050602TP	SCREW M5 L=6				4.00
4	40023196	BASE_A				1.00
5	SM6051602TN	BOLT				4.00
6	PH1000332SH	PIN 10X33				1.00
7	40033792	FIXED_PLATE				1.00
8	SL6051092TN	BOLT				2.00
9	40023198	SENSOR_BRACKET				1.00
10	SL6041092TN	SCREW				2.00
11	HD00057000A	PHOTO SENSOR				1.00
12	SM6030802TN	BOLT				1.00
13	CS1201010SH	THRUST COLLAR ASM. D=12 W=10				2.00
14	CS1201011SH	THRUST COLLAR D=12 W=10		*		1.00
15	SS8660610TP	SCREW 1/4-40 L=6		*		2.00
16	40149106	CORNER KNIFE MOTOR / n				1.00
17	SM6041002TN	BOLT				4.00
18	SB408000100	BEARING				1.00
19	40145369	DRIVE SPROCKET				1.00
20	SM8060552TP	SCREW M6 L=5				2.00
21	40145368	TIMING BELT				1.00
22	40023206	CORNER_KNIFE_FEED_BRACKET				1.00
23	SL6051292TN	BOLT				4.00
24	SM6042502TN	SCREW M4X0.7 L=25				1.00
25	NM6040003SC	NUT M4				1.00
26	CS080081CSH	THRUST COLLAR ASM. D=8.0 W=8				1.00
27	CS0800816SH	THRUST HOLDER D=8 W=8		*		1.00
28	SS8110520TP	SCREW 11/64-40 L=4.5		*		2.00
29	SB108000500	RADIAL BEARING				2.00
30	26223701	LIFTING LEVER SHAFT				1.00
31	40145370	DRIVEN SPROCKET				1.00
32	SM8040612TP	SCREW M4 L=6				1.00
33	RE0700000K0	E-RING 7				1.00
34	B2509210D00	BELT RECEIVER				1.00
35	40023207	BELT HOLDER				1.00
36	SM6040602TN	BOLT				2.00
37	SM6040802TN	SCREW				2.00
38	40023211	METAL_A				2.00
39	40059362	DUST_SEAL				2.00
40	SM8040502TP	SCREW M4X0.7 L=5				2.00
41	40023212	ELEVATING_SHAFT				1.00
42	40023213	LIFTING_BRACKET				1.00
43	SM6062002TN	SCREW M6 L=20				1.00
44	11214301	ROLLER				1.00
45	40023217	SHOULDER_SCREW				1.00
46	40023214	CYLINDER_A				1.00
47	PJ304040504	ELBOW UNION				1.00
48	40023215	CYLINDER_BRACKET				1.00
49	SM6040602TN	BOLT				2.00
50	17835307	CUSHION B				1.00



51	40023216	CYLINDER_NUT				1.00
52	WP0522016SH	WASHER				1.00
53	40023218	ELEVATING_GUIDE_PLATE				1.00
54	SM6040802TN	SCREW				2.00
55	40023209	ELEVATING_BRACKET_A				1.00
56	SM8060812TP	SCREW M6 L=8				2.00
57	40023211	METAL_A				2.00
58	40059362	DUST_SEAL				2.00
59	SM8040502TP	SCREW M4X0.7 L=5				2.00
60	40023212	ELEVATING_SHAFT				1.00
61	40023213	LIFTING_BRACKET				1.00
62	SM6062002TN	SCREW M6 L=20				1.00
63	11214301	ROLLER				1.00
64	40023217	SHOULDER_SCREW				1.00
65	40033799	CYLINDER_B				1.00
66	PJ304040504	ELBOW UNION				1.00
67	40023215	CYLINDER_BRACKET				1.00
68	SM6040602TN	BOLT				2.00
69	17835307	CUSHION B				1.00
70	40023216	CYLINDER_NUT				1.00
71	WP0522016SH	WASHER				1.00
72	40023218	ELEVATING_GUIDE_PLATE				1.00
73	SM6040802TN	SCREW				2.00
74	40023208	SENSOR_PLATE				1.00
75	SM6040602TN	BOLT				2.00
76	SB712000300	BEARING				2.00
77	RC2651218KP	RETAINING RING				4.00
78	WZ2200300KP	WAVED WASHER				2.00
79	11419504	THRUST COLLAR A				2.00
80	40023210	ELEVATING_BRACKET_B				1.00
81	SM6063502TN	HEXAGONAL-HOLE BOLT M6 L=35				1.00
82	40023204	KNIFE HOLDER_BASE				2.00
83	SM6040600SP	SCREW M4 L=6				2.00
84	40023171	KNIFE HOLDER_A				2.00
85	40023172	KNIFE HOLDER_B				2.00
86	SM6031210SC	SCREW M3X0.5 L=12				4.00
87	40023173	KNIFE HOLDER_C				4.00
88	40023170	ECCENTRIC_PIN				4.00
89	40023175	KNIFE_GUIDE				2.00
90	SM6030800SP	SCREW M3X0.5 L=8				2.00
91	WP0320500SC	WASHER M3				4.00
92	WS0310002KN	SPRING WASHER M3				4.00
93	WP0320500SC	WASHER M3				2.00
94	PJ304040506	ELBOW UNION				1.00
95	PJ304040506	ELBOW UNION				1.00

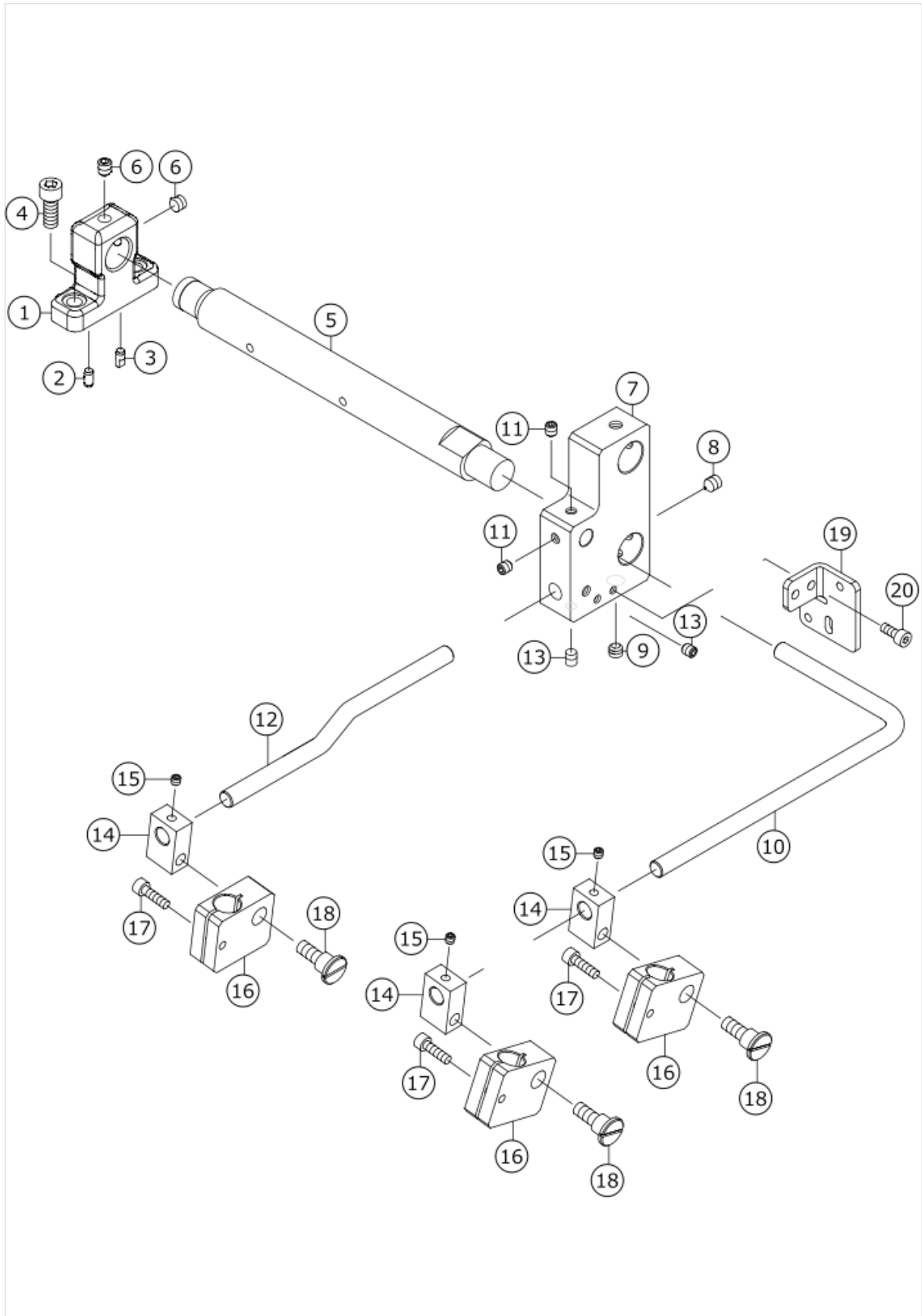
# BINDER UNIT



No.	品番	品名	備考	子部品	消耗品	個数
1	PJ230004200	UNION				2.00
2	PX500014000	PLUG				2.00
3	SM6051202TN	SCREW M5X0.8 L=12				2.00
4	SM6051602TN	BOLT				4.00
5	40026327	BINDER_BASE_PLATE				1.00
6	PA2005016A0	AIR CYLINDER				1.00
7	HD00057000A	PHOTO SENSOR				1.00
8	SM6030802TN	BOLT				1.00
9	40039890	BINDER_SENSOR_BKT				1.00
10	SL6041092TN	SCREW				2.00
11	40039891	BINDER_SENSOR_PLATE				1.00
12	40039889	CYLINDER_JOINT_A				1.00
13	PC010523000	SPEED CONTROLLER				2.00
14	SD1001526TP	SHOULDER SCREW				1.00
15	40026331	BINDER_PLATE_A				1.00
16	SM6052502TP	SCREW M5X0.8 L=25				1.00
17	40026345	SHAFT_A				1.00
18	B1220771000	THRUST WASHER A				4.00
19	B1211980000	UPPER SHAFT THRUST BEARING				2.00
20	CS1501171TP	THRUST COLLAR D=15 W=11				1.00
21	SM8060612TP	SCREW M6 L=6				1.00
22	SM8060842TP	SCREW M6 L=8				1.00
23	40026340	METAL				1.00
24	40026332	BINDER_PLATE_B				1.00
25	SM6083002TN	SCREW M8 L=30				1.00
26	WP1502500SC	WASHER 15X24X2.5				1.00
27	SB315000200	BEARING				1.00
28	PS0200102KH	SPRING PIN 2.0X10				1.00
29	40026333	BINDER_PLATE_C				1.00
30	SM6052502TN	HEXAGONAL-HOLE BOLT				1.00
31	40127437	CAM_COVER				1.00
32	SM6040610SC	SCREW M4X0.7 L=6				2.00
33	40026326	BEARING_SHAFT				1.00
34	SB105000300	BALL BEARING				1.00
35	B1650210000	DRIVING LINK ROLLER				1.00
36	SM8041012TP	SCREW M4 L=10				1.00
37	40026346	SHAFT_B				1.00
38	B1220771000	THRUST WASHER A				4.00
39	B1211980000	UPPER SHAFT THRUST BEARING				2.00
40	CS1501171TP	THRUST COLLAR D=15 W=11				2.00
41	SM8060612TP	SCREW M6 L=6				3.00
42	SM8060842TP	SCREW M6 L=8				1.00
43	40026343	ROCK_PLATE				1.00
44	SM6051202TN	SCREW M5X0.8 L=12				2.00
45	40038025	ROCK_PLATE_BKT				1.00
46	40072875	ROCK_BASE				1.00
47	SL6052092TN	SCREW				2.00
48	40035107	BALL_PLUNGER_H				2.00
49	NM6080001SC	NUT M8X1.25				2.00
50	40081412	BINDER_FITTING_BASE_A				1.00

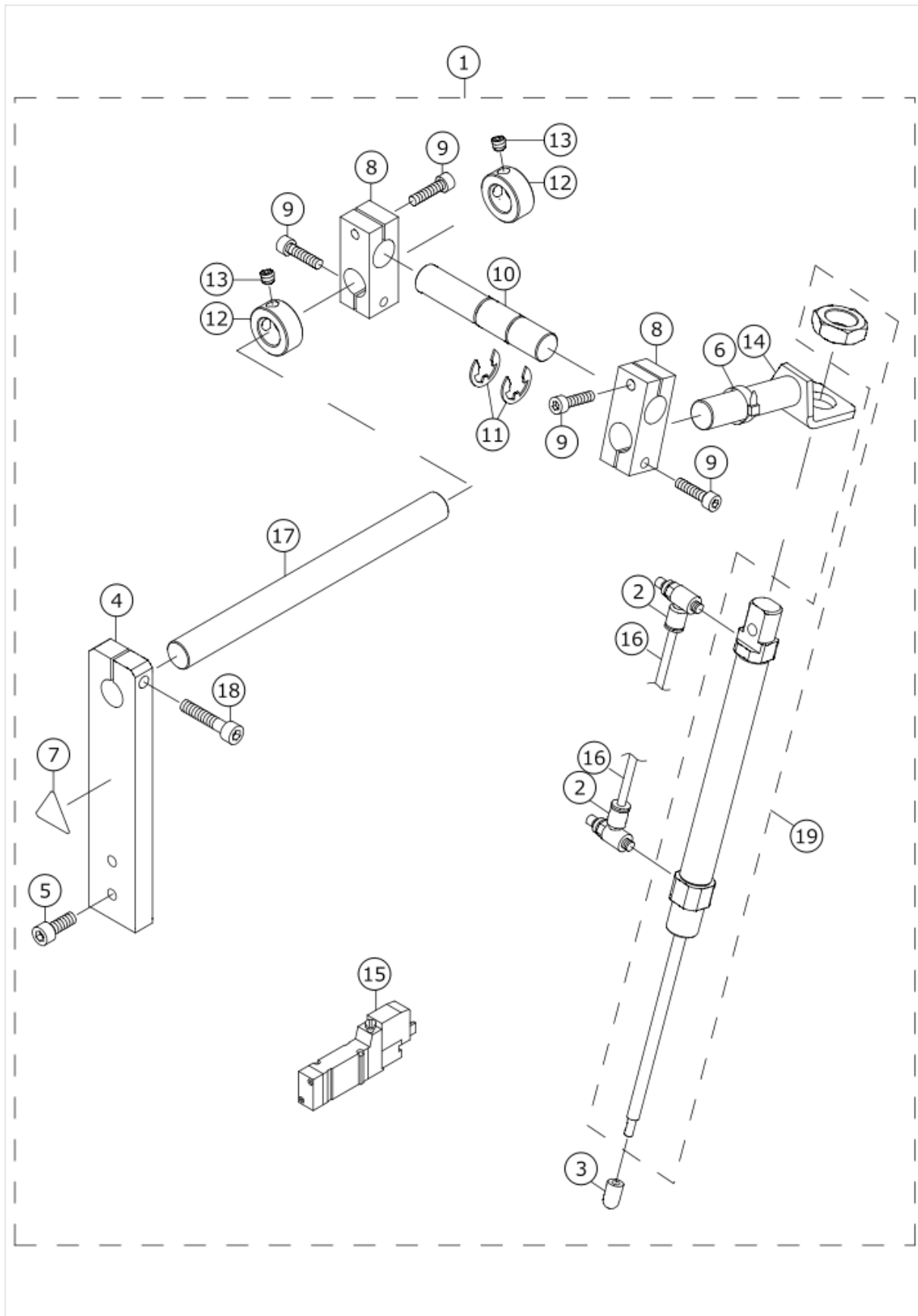
51	SM6062002TN	SCREW M6 L=20				1.00
52	40081413	BINDER_FITTING_BASE_B				1.00
53	SL6052092TN	SCREW				2.00
54	WP0611626SP	WASHER 15X6X1.6				2.00
55	40034492	WORKPIECE_GUIDE_STOPPER				1.00
56	SL6051292TN	BOLT				4.00
57	40026622	CLOTH_GUIDE_ARM_L				1.00
58	40026623	CLOTH_GUIDE_ARM_R				1.00
59	SM6031202TN	BOLT				2.00
60	40026624	CLOTH_GUIDE_L				1.00
61	40026625	CLOTH_GUIDE_R				1.00
62	40100310	BINDER_FITTING_BASE_C_ASM.				1.00
63	40034490	GUIDE_PIN		*		1.00
64	SM8031212TP	SCREW		*		1.00
65	40034491	ARM_BUSHING		*		2.00
66	RE0320000K0	E-RING 3.2		*		2.00
67	40081414	BINDER_FITTING_BASE_C		*		1.00
68	SL6030892TN	SCREW				1.00
69	SM8041552TP	SCREW M4 L=15				4.00
70	NM6040001SC	NUT M4				4.00
71	40034493	WORKPIECE_GUIDE_SPRING_18				1.00
72	SL4030891SC	SCREW M3X8				1.00
73	40063960	BINDER BASE				2.00
74	SM1850600SP	SCREW				10.00
75	40035108	CLAMP LEVER				1.00
76	40034665	CONNECTOR PLATE				1.00
77	CM300200002	CAUTION LABEL(25)				1.00
78	WS0510002KR	SPRING WASHER M5				4.00
79	WP0550800SP	WASHER 5.5X10X0.8				4.00
80	NM6040001SC	NUT M4				2.00
81	SM8041552TP	SCREW M4 L=15				2.00
82	PH0400185S0	PARALLEL PIN				1.00
83	PH0400225S0	PARALLEL PIN				2.00
84	SS1060610SP	SCREW 3/32-56 L=5.5				4.00
85	B125578100B	WASHER B				1.00

# MARKING LIGHT UNIT



No.	品番	品名	備考	子部品	消耗品	個数
1	40033997	MARKING_LIGHT_BASE				1.00
2	13302500	DOWEL_PIN_2				1.00
3	13301908	DOWEL_PIN				1.00
4	SM6061602TN	SCREW M6 L=16				2.00
5	40033998	MARKING_SHAFT				1.00
6	SM8060552TP	SCREW M6 L=5				2.00
7	40178561	BASE_BLOCK				1.00
8	SM8060842TP	SCREW M6 L=8				1.00
9	SM8060552TP	SCREW M6 L=5				1.00
10	40034000	FIXED_SHAFT				1.00
11	SM8050602TP	SCREW M5 L=6				2.00
12	40145374	FIXED_SHAFT				1.00
13	SM8050602TP	SCREW M5 L=6				2.00
14	40034002	FIXED HOLDER_B				3.00
15	SM8040412TP	SCREW M4X4				3.00
16	40034001	FIXED HOLDER_A				3.00
17	SM6041402TN	SCREW M4X0.7 L=14				3.00
18	SD0900706TP	SHOULDER SCREW D=9 H=7				3.00
19	40145375	SWITCH_BRACKET				1.00
20	SM6041002TN	SCREW				2.00

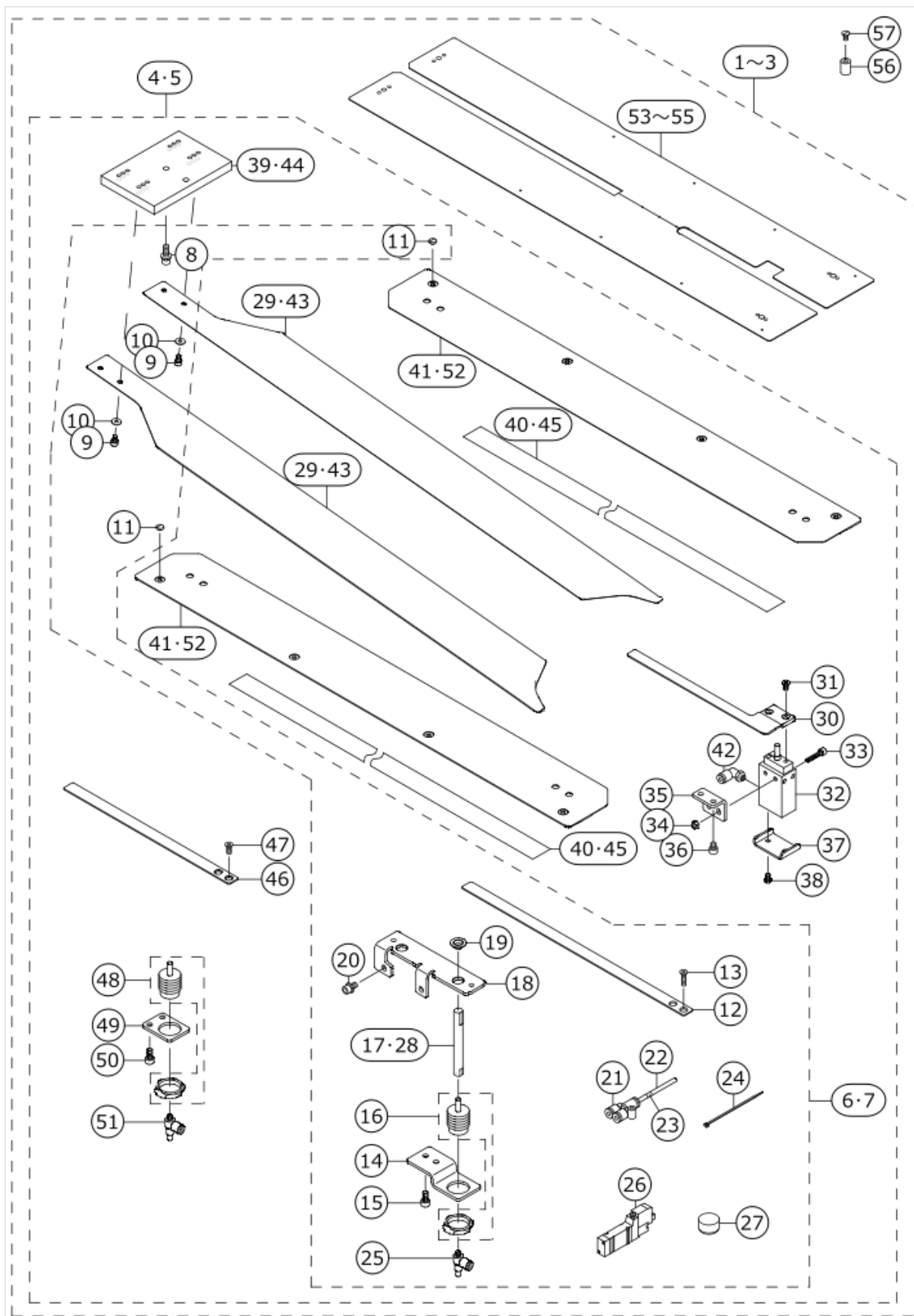
# SA-117N:CLOTH LENGTHEN DEVICE



No.	品番	品名	備考	子部品	消耗品	個数
1	40149293	SA117_CLOTH LENGTHEN DEVICE				1.00
2	PC010508000	SPEED CONTROLLER		*		2.00
3	40034733	CLOTH LENGTHEN EDGE		*		1.00
4	40034499	CLOTH LENGTHEN SHAFT BASE		*		1.00
5	SM6061602TN	SCREW M6 L=16		*		2.00
6	EA9500B0100	CABLE BAND		*		6.00
7	CM300200002	CAUTION LABEL(25)		*		1.00
8	40039743	CLOTH_LENGTHEN_BRACKET_D		*		2.00
9	SM6052002TN	BOLT		*		4.00
10	40038103	CLOTH_LENGTHEN_BRACKET_SHAFT		*		1.00
11	RE1200000K0	E-RING 12		*		2.00
12	CS1501171TP	THRUST COLLAR D=15 W=11		*		2.00
13	SM8060612TP	SCREW M6 L=6		*		2.00
14	40039744	CLOTH_LENGTHEN_BKT_ASSY		*		1.00
15	PV150104000	5-PORT SOKENOID VALVE		*		1.00
16	BT0400251EB	URETHANE HOSE BLACK		*		1.00
17	40034672	CLOTH LENGTHEN DEVICE SHAFT		*		1.00
18	SM6063002TN	SCREW M6 L=30		*		1.00
19	PA1609501A0	AIR CYLINDER		*		1.00



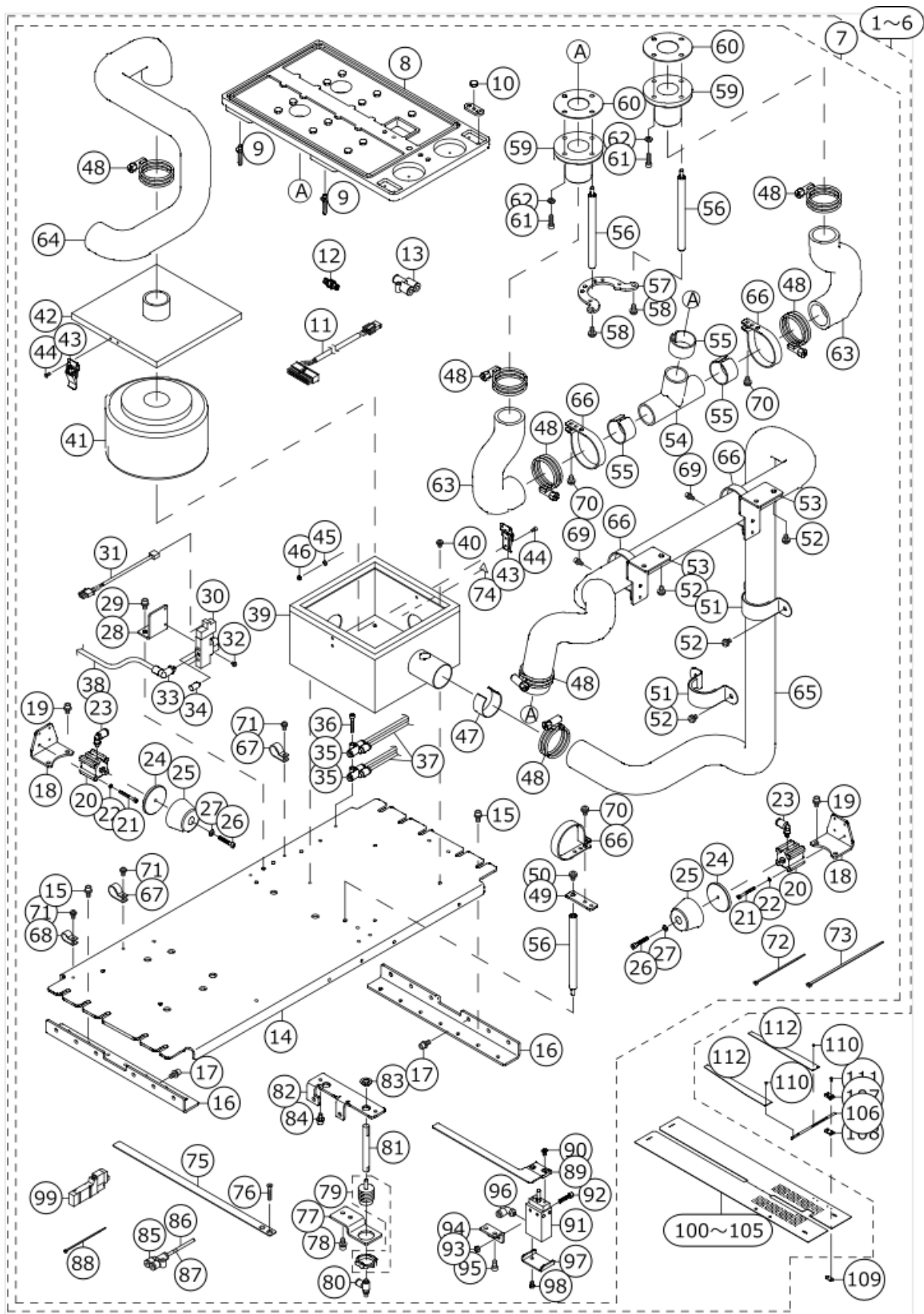
# SA-118NS/SA-118NL:PAVING PLATE DEVICE



No.	品番	品名	備考	子部品	消耗品	個数
1	40178119	SA118NS_PAVING_PLATE_DEVICE_KIT_08_14	FOR SA-118NS 8_14MM			1.00
2	40178120	SA118NS_PAVING_PLATE_DEVICE_KIT_16_20	FOR SA-118NS 16_20MM			1.00
3	40071737	SA118L_PAVING_PLATE_DEVICE_KIT_28_32	FOR SA-118NL			1.00
4	40149294	SA118S_PAVING_PLATE_DEVICE	FOR SA-118NS 8_14,16_20MM	*		1.00
5	40045783	SA118L_PAVING_PLATE_DEVICE	FOR SA-118NL	*		1.00
6	40149430	SA118NS_PAVING_SUB_ASSY	FOR SA-118NS 8_14,16_20MM	*		1.00
7	40046074	SA118S_PAVING_SUB_ASSY	FOR SA-118NL	*		1.00
8	SL6051692TN	BOLT		*		2.00
9	SM6040602TN	BOLT		*		4.00
10	WP0431005SP	WASHER		*		4.00
11	SS5090210SP	SCREW 9/64-40 L=2		*		8.00
12	40045750	WORK_PIECE_CLAMP_M		*		1.00
13	SM1042501SC	SCREW M4X0.7 L=25		*		2.00
14	40034466	WORK_PIECE_CLAMP_CYLINDER_BRAC		*		1.00
15	SM6051002TN	BOLT		*		2.00
16	PA1500505A0	AIR CYLINDER		*		1.00
17	40149429	WORK_PIECE_CYLINDER_ROD	FOR SA-118NS 8_14,16_20MM	*		1.00
18	40034469	WORK_PIECE_CLAMP_GUIDE_PLATE		*		1.00
19	40034468	WORK_PIECE_CYLINDER_ROD_BUSH		*		2.00
20	SL6051092TN	SCREW M5 L=10		*		2.00
21	PJ308040002	QUICK COUPLING		*		1.00
22	BT0400251EB	URETHANE TUBE BLACK 4X2.5		*		1.00
23	18035600	WIRE MARK (7)		*		9.00
24	EA9500B0100	CABLE BAND		*		6.00
25	PC010507000	SPEED CONTROLLER		*		1.00
26	PV150104000	5-PORT SOKENOID VALVE		*		1.00
27	TA1701002R0	RUBBER PLUG		*		1.00
28	40034467	WORK_PIECE_CYLINDER_ROD		*		1.00
29	40034443	PAVING_PLATE		*		2.00
30	40034470	HAIR_CLOTH_PRESSER		*		1.00
31	SM1040801SC	SCREW M4X0.7 L=8		*		2.00
32	PA160152900	AIR CYLINDER		*		1.00
33	SM6042002TN	BOLT		*		2.00
34	NM6040001SC	NUT M4X0.7 TYPE1		*		2.00
35	40145349	HAIR_CLOTH_PRESSER_CYLINDER_BR		*		1.00
36	SM6050652TP	HEXAGON SOCKET HEAD SCREW M5X6		*		2.00
37	40043627	CYLINDER_COVER		*		1.00
38	SM4040655SN	SCREW M4X0.7 L=6		*		2.00
39	40028198	PAVING_PLATE_BKT		*		1.00
40	40044824	SLIDE_PROMOTING_TAPE		*		4.00
41	40034442	PAVING_PLATE_GUIDE		*		2.00
42	PJ304040506	ELBOW UNION		*		1.00
43	40040843	PAVING_PLATE_W	FOR SA-118NL	*		2.00
44	40040838	PAVING_PLATE_BKT_W	FOR SA-118NL	*		1.00
45	40071729	SLIDE_PROMOTING_TAPE_W	FOR SA-118NL	*		4.00

46	40034473	HAIR_CLOTH_PRESSER(380)	FOR SA-118NL	*		1.00
47	SM1040801SC	SCREW M4X0.7 L=8	FOR SA-118NL	*		2.00
48	PA1500505A0	AIR CYLINDER	FOR SA-118NL	*		1.00
49	40034472	HAIR_CLOTH_PRESSER_CYLINDER_BRACKET(380)	FOR SA-118NL	*		1.00
50	SM6051002TN	BOLT	FOR SA-118NL	*		2.00
51	PC010507000	SPEED CONTROLLER	FOR SA-118NL	*		1.00
52	40040844	PAVING_PLATE_GUIDE_W	FOR SA-118NL	*		2.00
53	40027131	SEWNING_TABLE_UNIT_PAVING_8_14	FOR SA-118NS 8_14MM	*		1.00
54	40033806	SEWNING_TABLE_UNIT_PAVING_16_2	FOR SA-118NS 16_20MM	*		1.00
55	40071731	SEWNING_TABLE_UNIT_PAVING_28_3	FOR SA-118NL	*		1.00
56	40149797	COLLAR	FOR SA-118NL			2.00
57	SM1040801SC	SCREW M4X0.7 L=8	FOR SA-118NL			2.00

# SA-119N/SA-119NE:VACUUM DEVICE

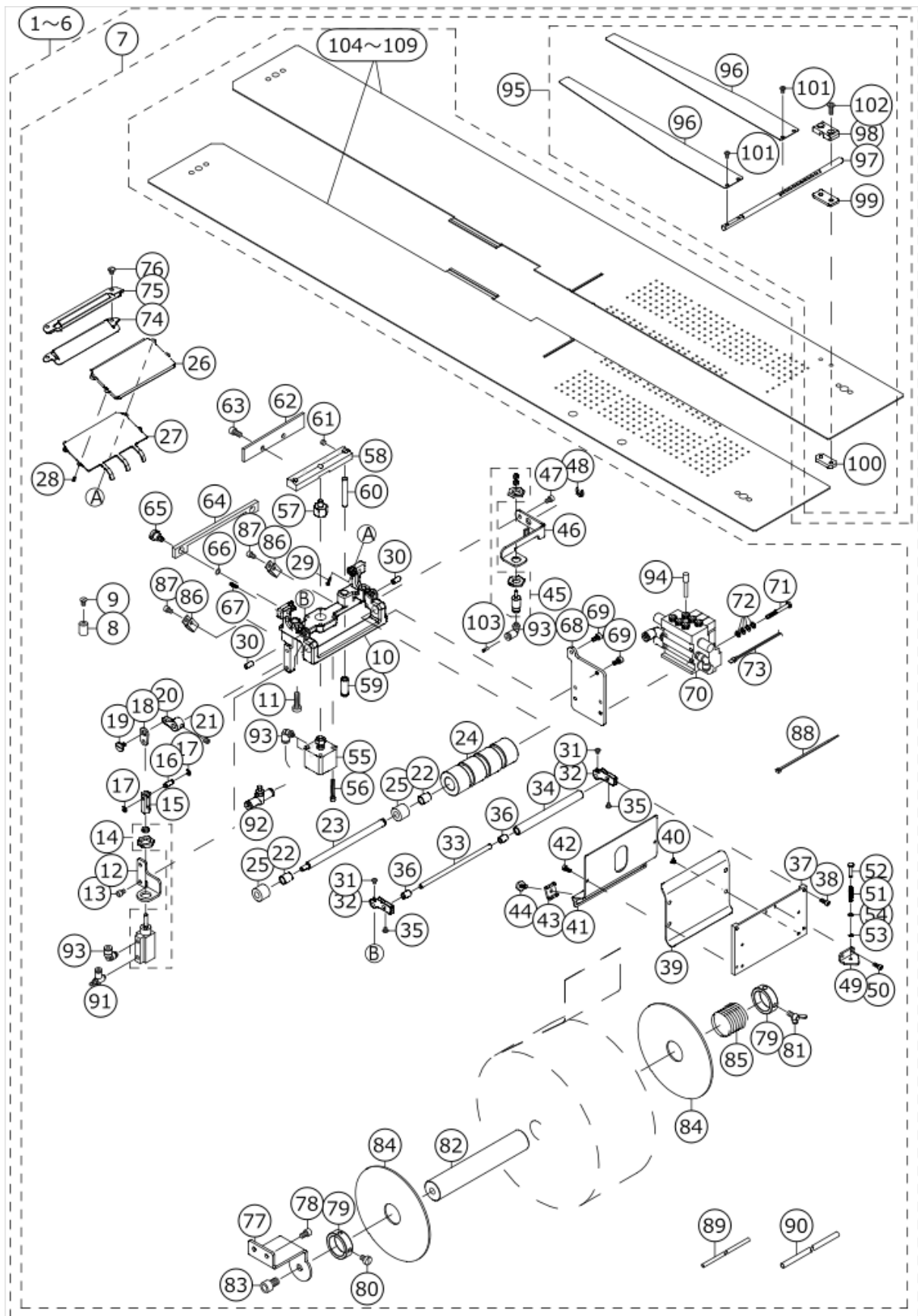


No.	品番	品名	備考	子部品	消耗品	個数
1	40178121	SA119N_VACUUM_DEVICE_KIT_08_10	FOR 8_10MM			1.00
2	40178122	SA119N_VACUUM_DEVICE_KIT_12	FOR 12MM			1.00
3	40178123	SA119N_VACUUM_DEVICE_KIT_14	FOR 14MM			1.00
4	40178124	SA119N_VACUUM_DEVICE_KIT_16	FOR 16MM			1.00
5	40178125	SA119N_VACUUM_DEVICE_KIT_18	FOR 18MM			1.00
6	40178126	SA119N_VACUUM_DEVICE_KIT_20	FOR 20MM			1.00
7	40149295	SA119_VACUUM_DEVICE		*		1.00
8	40045622	PH=SUCTION_BOX		*		1.00
9	40034475	SUCTION_BOX_ADJUST_BOLT		*		4.00
10	40026355	POSITION_PIN		*		2.00
11	40043987	VACUUM SOLENOID VALVE CORD ASM		*		1.00
12	PJ230006200	UNION		*		1.00
13	PJ308060003	Y UNION		*		1.00
14	40041735	SUCTION_BASE_PLATE_A_(VE)		*		1.00
15	SL6051292TN	BOLT		*		8.00
16	40041736	SUCTION_BASE_PLATE_B_(VE)		*		2.00
17	SL6051292TN	BOLT		*		8.00
18	40036409	VACUUM_CHANGE_CYLINDER_BRACKET		*		2.00
19	SL6051092TN	BOLT		*		4.00
20	PA160100500	AIR CYLINDER		*		2.00
21	SM6033002TN	SCREW M3 L=30		*		8.00
22	WS0310002KN	SPRING WASHER M3		*		8.00
23	PJ304040506	ELBOW UNION		*		4.00
24	40040251	CYLINDER_BOSS		*		2.00
25	40040252	STOPPER_RUBBER		*		2.00
26	SM6044002TP	SCREW		*		2.00
27	WP0430801SC	WASHER 4.3X9X0.8		*		2.00
28	40036410	VALVE_PLATE		*		1.00
29	SL6051092TN	BOLT		*		2.00
30	PV1502060B0	5-PORT SOLENOID VALVE		*		1.00
31	40032964	AIR VALVE CABLE ASM		*		1.00
32	SL4030691SC	SCREW M3X6		*		2.00
33	PJ304060502	ELBOW UNION 6XM5		*		1.00
34	PX050501000	SILENCER		*		2.00
35	PJ308040002	QUICK COUPLING		*		2.00
36	SM6042502TN	SCREW M4X0.7 L=25		*		1.00
37	BT0400251EB	URETHANE HOSE BLACK		*		1.50
38	BT0600401EB	TUBE		*		1.00
39	40042920	FILTER_BOX_ASSY		*		1.00
40	SL4040891SC	SCREW M4 L=8		*		4.00
41	GMC10004000	FILTER ELEMENT		*		1.00
42	GMC100050A0	TOP COVER ASM.		*		1.00
43	GMC10007000	METAL FITTINGS		*		2.00
44	SM1030801SC	SCREW M3 L=8		*		8.00
45	WP0320501SC	WASHER M3		*		4.00
46	NM6030001SC	NUT M3		*		4.00
47	G5171136000	VACUUM CONTROL PLATE		*		1.00
48	G5176136000	HOSE BAND		*		7.00
49	40036411	HOSE_SUPPORT_PLATE		*		1.00
50	SL4051091SC	SCREW M5X0.8 L=10		*		1.00

51	G53461720A0	HOSE HOLDER ASM.		*		2.00
52	SL4051091SC	SCREW M5X0.8 L=10		*		8.00
53	40036414	HOSE_CLAMP_BRACKET		*		2.00
54	40036415	T_PIPE		*		1.00
55	40039045	PIPE_SPACER		*		3.00
56	40036416	STAD		*		3.00
57	40036417	STAD_JOINT_PLATE		*		1.00
58	SL4051291SC	SCREW M5X0.8 L=12		*		2.00
59	40036418	SUCTION_HOSE_BASE		*		2.00
60	40036424	GASKET		*		2.00
61	SM6051602TN	BOLT		*		6.00
62	WP0531000SC	WASHER 5.3X10X1		*		6.00
63	40036419	HOSE_A		*		2.00
64	40036420	HOSE_B		*		1.00
65	40036421	HOSE_C		*		1.00
66	HX00150000S	CABLE BAND		*		5.00
67	HX00150000H	CABLE CLIP		*		2.00
68	HX00150000D	CABLE CLIP		*		1.00
69	SL6041092TN	SCREW		*		2.00
70	SL4051091SC	SCREW M5X0.8 L=10		*		3.00
71	SL4041091SC	SCREW M4 L=10		*		3.00
72	EA9500B0100	CABLE BAND		*		3.00
73	EA9500B0200	CABLE BAND 150		*		3.00
74	CM300200001	ATTENTION SEAL		*		2.00
75	40045750	WORK_PIECE_CLAMP_M		*		1.00
76	SM1042501SC	SCREW M4X0.7 L=25		*		2.00
77	40034466	WORK_PIECE_CLAMP_CYLINDER_BRACKET		*		1.00
78	SL6051292TN	BOLT		*		2.00
79	PA1500505A0	AIR CYLINDER		*		1.00
80	PC010507000	SPEED CONTROLLER		*		1.00
81	40149429	WORK_PIECE_CYLINDER_ROD		*		1.00
82	40034469	WORK_PIECE_CLAMP_GUIDE_PLATE		*		1.00
83	40034468	WORK_PIECE_CYLINDER_ROD_BUSH		*		2.00
84	SL6051092TN	BOLT		*		2.00
85	PJ308040002	QUICK COUPLING		*		1.00
86	BT0400251EB	URETHANE HOSE BLACK		*		1.00
87	18035600	WIRE MARK (7)		*		9.00
88	EA9500B0100	CABLE BAND		*		6.00
89	40034470	HAIR_CLOTH_PRESSER		*		1.00
90	SM1040801SC	SCREW M4X0.7 L=8		*		2.00
91	PA160152900	AIR CYLINDER		*		1.00
92	SM6042002TN	BOLT		*		2.00
93	NM6040001SC	NUT M4		*		2.00
94	40034471	HAIR_CLOTH_PRESSER_CYLINDER_BRACKET		*		1.00
95	SM6050652TP	HEXAGON SOCKET HEAD SCREW M5X6		*		2.00
96	PJ304040506	ELBOW UNION		*		1.00
97	40043627	CYLINDER_COVER		*		1.00
98	SM4040655SN	SCREW M4X0.7 L=6		*		2.00
99	PV150104000	5-PORT SOKENOID VALVE		*		1.00
100	40057372	SEWING_TABLE_VACUUM_SEPARATE_8	FOR 8_10MM	*		1.00
101	40057373	SEWING_TABLE_VACUUM_SEPARATE_12	FOR 12MM	*		1.00

102	40057374	SEWING_TABLE_VACUUM_SEPARATE_14	FOR 14MM	*		1.00
103	40057375	SEWING_TABLE_VACUUM_SEPARATE_16	FOR 16MM	*		1.00
104	40057376	SEWING_TABLE_VACUUM_SEPARATE_18	FOR 18MM	*		1.00
105	40057377	SEWING_TABLE_VACUUM_SEPARATE_20	FOR 20MM	*		1.00
106	40035390	SHAFT	FOR SA-119NE			1.00
107	40035387	CLAMP_BKT	FOR SA-119NE			1.00
108	40035386	SPACER	FOR SA-119NE			1.00
109	40035388	STOPPER_PLATE	FOR SA-119NE			1.00
110	SM4030601SN	SCREW M3X6	FOR SA-119NE			4.00
111	SM4041255SP	SCREW M4 L=12	FOR SA-119NE			2.00
112	40035389	POCKET_BAG_PRESSER	FOR SA-119NE			2.00

# SA-120N:AUTOMATIC INTERLINING FEEDING DEVICE



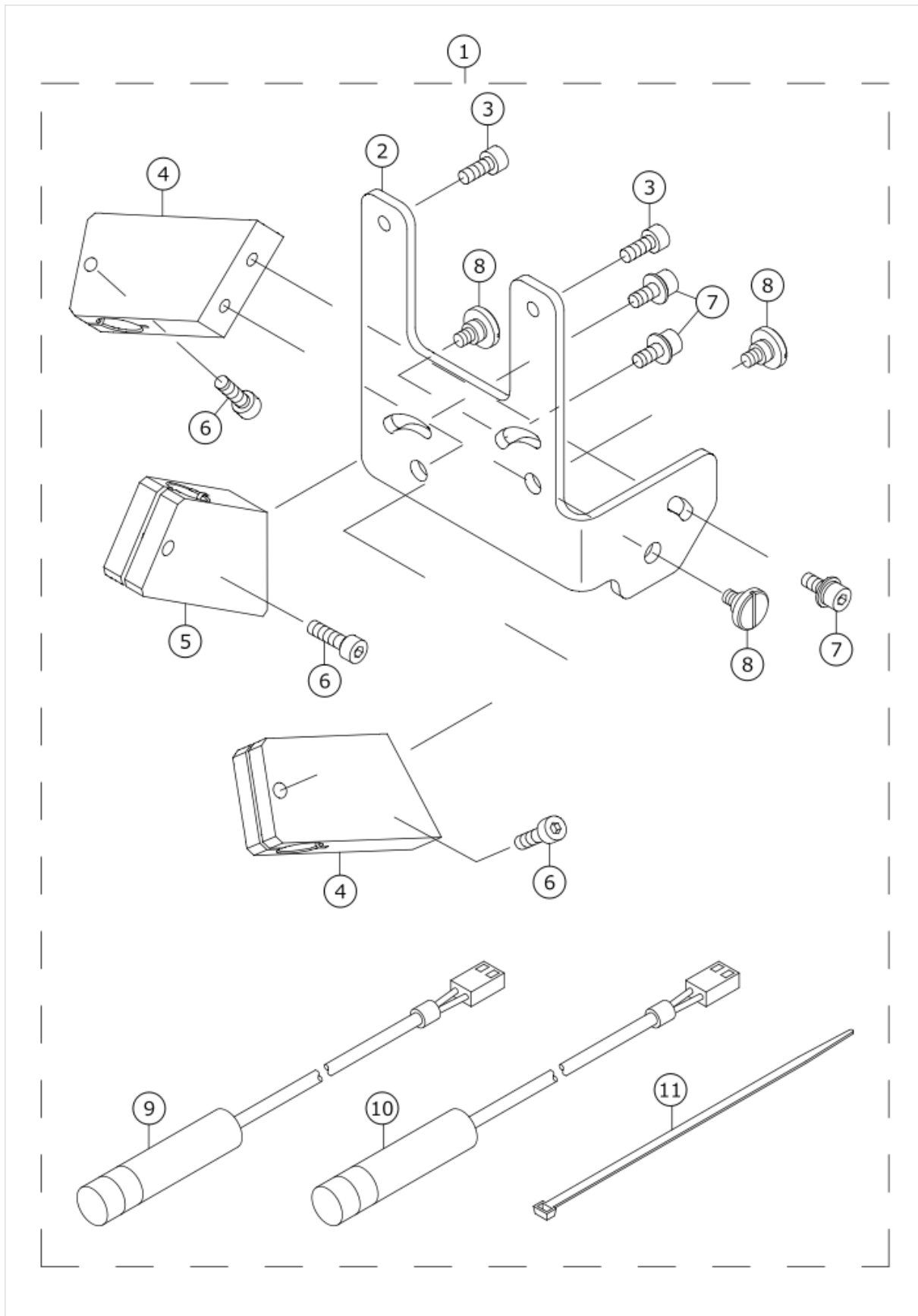


No.	品番	品名	備考	子部品	消耗品	個数
1	40178127	SA120N_INTER_LING_DEVICE_KIT_08_10	FOR 8_10MM			1.00
2	40178128	SA120N_INTER_LING_DEVICE_KIT_12	FOR 12MM			1.00
3	40178129	SA120N_INTER_LING_DEVICE_KIT_14	FOR 14MM			1.00
4	40178130	SA120N_INTER_LING_DEVICE_KIT_16	FOR 16MM			1.00
5	40178131	SA120N_INTER_LING_DEVICE_KIT_18	FOR 18MM			1.00
6	40178132	SA120N_INTER_LING_DEVICE_KIT_20	FOR 20MM			1.00
7	40149798	SA120_INTER_LING_DEVICE		*		1.00
8	40149797	COLLAR		*		2.00
9	SM1040801SC	SCREW M4X0.7 L=8		*		2.00
10	40036535	FEED_BASE		*		1.00
11	SM6052010SC	SCREW M5X0.8 L=20		*		2.00
12	40036534	CYLINDER_PLATE		*		1.00
13	SM6040602TN	BOLT		*		2.00
14	PA1001017A0	AIR CYLINDER		*		1.00
15	40025661	CYLINDER_JOINT		*		1.00
16	40036544	PIN		*		1.00
17	RE0300000K0	E-RING 3		*		2.00
18	40036580	FEED_LINK		*		1.00
19	SD0700226TP	SHOULDER SCREW D=7 H=2.2		*		1.00
20	40036539	FEED_ROLLER_CAM		*		1.00
21	SM8050612TP	SCREW M5X6		*		1.00
22	40036536	FEED_BASE_BUSHING		*		2.00
23	40036537	FEED_ROLLER_SHAFT		*		1.00
24	40036538	FEED_ROLLER		*		1.00
25	SB308001700	BEARING		*		2.00
26	40036554	CLOTH_GUIDE_BASE_B		*		1.00
27	40036555	CLOTH_GUIDE_C		*		1.00
28	SM6020450TP	SCREW		*		2.00
29	SM6021000TP	SCREW		*		2.00
30	PH0500102C0	PIN M5 L=10		*		2.00
31	SM4030455SN	SCREW		*		2.00
32	40036545	RELEASE_BASE		*		2.00
33	40036546	FEED_ROLLER_SHAFT		*		1.00
34	40036547	FEED_ROLLER		*		1.00
35	SM4030455SN	SCREW		*		2.00
36	40036567	SUB_FEED_ROLLER_BUSHING		*		2.00
37	40036548	CLOTH_GUIDE_BASE_A		*		1.00
38	SM6030802TP	SCREW M3X0.5 L=8		*		2.00
39	40036549	CLOTH_GUIDE_A		*		1.00
40	SM1030400SP	SCREW M3 L=4		*		4.00
41	40036550	CLOTH_GUIDE_B		*		1.00
42	SM6030802TP	SCREW M3X0.5 L=8		*		2.00
43	40018266	SIDE_GUIDE_B		*		2.00
44	40019379	KNOB_SCREW		*		2.00
45	PA0600510A0	AIR CYLINDER		*		1.00
46	40036551	RELEASE_CYLINDER_BASE		*		1.00
47	SM6040602TN	BOLT		*		1.00
48	RE0600000K0	E-RING 6		*		1.00
49	40036552	RELEASE_SPRING_PLATE		*		1.00
50	SM6030802TP	SCREW M3X0.5 L=8		*		2.00

51	40036553	RELEASE_SPRING		*		1.00
52	40000910	STOPPER PIN		*		1.00
53	RE0200000K0	E-RING		*		1.00
54	WP0320500SC	WASHER M3		*		1.00
55	PA1600802A0	AIR CYLINDER		*		1.00
56	SM6032502TN	SCREW M3 L=25		*		4.00
57	40024381	COVER STUD RB(3M)		*		1.00
58	40036558	MOVING_CUTTER_BASE		*		1.00
59	40036556	KNIFE_GUIDE_SHAFT_BUSHING		*		2.00
60	40036557	KNIFE_GUIDE_SHAFT		*		2.00
61	SM8050412TP	SCREW M5 L=4		*		2.00
62	40036559	MOVING_CUTTER		*		1.00
63	SM6051002TP	SCREW M5X0.8 L=10		*		2.00
64	40036560	FIXED_KNIFE		*		1.00
65	SD0800626TH	SHOULDER SCREW		*		2.00
66	WP0510516SD	WASHER 5.1X7.5X0.5		*		2.00
67	40036561	FIXED_KNIFE_SPRING		*		2.00
68	40036275	MANIFOLD_BKT		*		1.00
69	SM6040602TN	BOLT		*		2.00
70	40040527	MANIFOLD_VALVE_ASSY		*		1.00
71	SM4043555SP	SCREW M4 L=35		*		4.00
72	WP0450846SP	WASHER		*		4.00
73	40032964	AIR VALVE CABLE ASM		*		3.00
74	40036563	GUIDE_PLATE_B		*		1.00
75	40073441	GUIDE_PLATE_A		*		1.00
76	SM5040550TP	SCREW M4 L=5		*		2.00
77	40034498	INTER_LING_BASE		*		1.00
78	SM6050802TP	SCREW M5X0.8 L=8		*		2.00
79	CS2501081TP	THRUST COLLAR D=25 W=10		*		2.00
80	SM6050800SP	SCREW M5 L=8		*		1.00
81	18204503	WING BOLT		*		1.00
82	40036564	INTER_LING_SHAFT		*		1.00
83	SM6081202TP	SCREW M8 L=12		*		1.00
84	40050525	SIDE_PLATE		*		2.00
85	40050526	RETURN_SPRING		*		1.00
86	HX00150000D	CABLE CLIP		*		2.00
87	SM6040602TN	BOLT		*		2.00
88	EA9500B0100	CABLE BAND		*		5.00
89	BT0400251EB	URETHANE HOSE BLACK		*		1.00
90	BT0600401EB	TUBE		*		1.20
91	PC010508000	SPEED CONTROLLER		*		1.00
92	PC012406000	SPEED CONTROLLER		*		1.00
93	PJ304040504	ELBOW UNION		*		4.00
94	PX500014000	PLUG		*		1.00
95	40045621	INTER_LING_POCKET_BAG_PRESSER		*		1.00
96	40035389	POCKET_BAG_PRESSER		*		2.00
97	40035390	SHAFT		*		1.00
98	40035387	CLAMP_BKT		*		1.00
99	40035386	SPACER		*		1.00
100	40035388	STOPPER_PLATE		*		1.00
101	SM4030601SN	SCREW M3 X 6		*		4.00

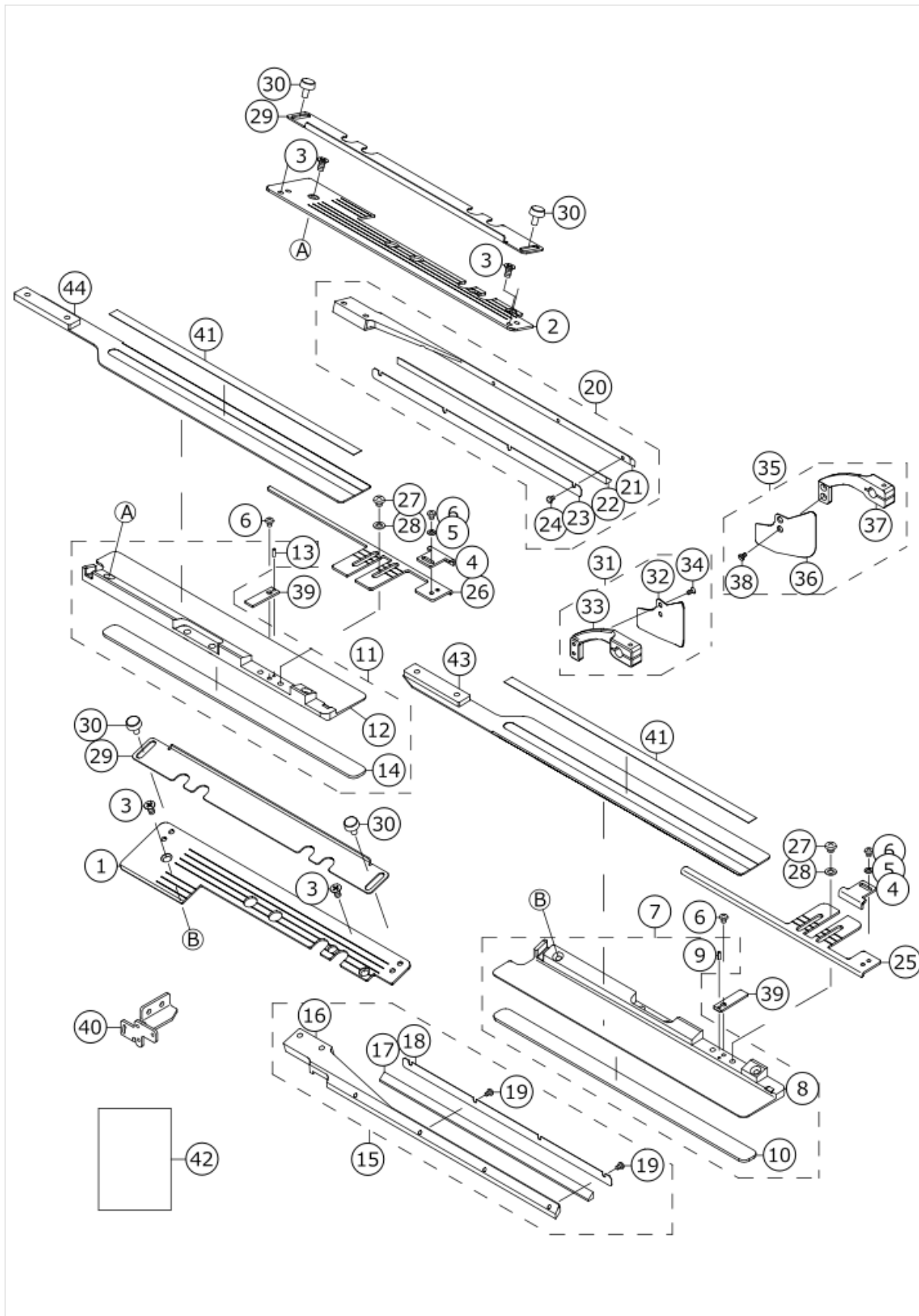
102	SM4041255SP	SCREW M4 L=12		*		2.00
103	PC022403F00	INSERT RING		*		1.00
104	40049914	SEWING_TABLE_UNIT_INTER_8_10	FOR 8_10MM	*		1.00
105	40049915	SEWING_TABLE_UNIT_INTER_12	FOR 12MM	*		1.00
106	40049916	SEWING_TABLE_UNIT_INTER_14	FOR 14MM	*		1.00
107	40049917	SEWING_TABLE_UNIT_INTER_16	FOR 16MM	*		1.00
108	40049918	SEWING_TABLE_UNIT_INTER_18	FOR 18MM	*		1.00
109	40049919	SEWING_TABLE_UNIT_INTER_20	FOR 20MM	*		1.00

# SA-121N:FRAP MARKING DEVICE



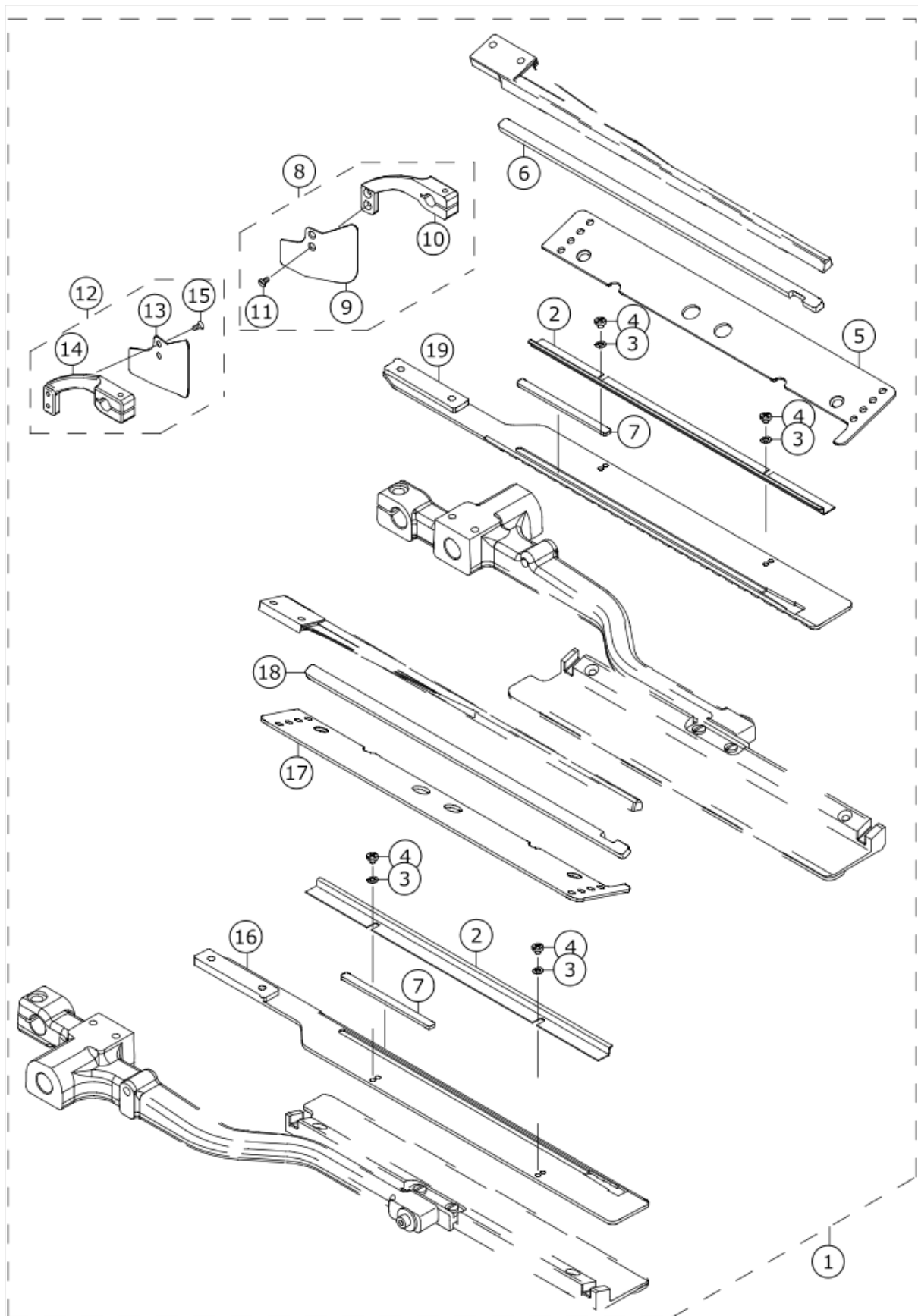
No.	品番	品名	備考	子部品	消耗品	個数
1	40149297	SA121_FRAP_MARKING_DEVICE				1.00
2	40043754	MARKING_LIGHT_BASE_OP		*		1.00
3	SM6041002TN	BOLT		*		2.00
4	40043753	MARKING_LIGHT HOLDER_OP		*		2.00
5	40044410	MARKING_LIGHT HOLDER_OP_A		*		1.00
6	SM6041402TN	SCREW M4X0.7 L=14		*		3.00
7	SL6041092TN	SCREW		*		3.00
8	SD0640356TP	SHOULDER SCREW D=6.35 H=3.5		*		3.00
9	KE000000020	LAMP		*		2.00
10	KE000000010	LAMP		*		1.00
11	EA9500B0200	CABLE BAND 150		*		10.00

# SA-122: BREAST POCKET DEVICE



No.	品番	品名	備考	子部品	消耗品	個数
1	40062069	POCKET_FLAP_BASE_RIGHT				1.00
2	40062070	POCKET_FLAP_BASE_LEFT				1.00
3	SM1040801SC	SCREW M4X0.7 L=8				4.00
4	40062084	FLAP STOPPER				2.00
5	WP0320500SC	WASHER M3				2.00
6	SM4030401SC	SCREW M3X0.5 L=4				4.00
7	40072889	ASSY_POCKET_FLAP_GARMENT_R				1.00
8	40062071	POCKET_FLAP_GARMENT_RIGHT		*		1.00
9	PS0200062KH	SPRING PIN 2X6		*		1.00
10	40077797	GARMENT_CLAMP_RUBBER(SPONGE)		*		1.00
11	40072890	ASSY_POCKET_FLAP_GARMENT_L				1.00
12	40062072	POCKET_FLAP_GARMENT_LEFT		*		1.00
13	PS0200062KH	SPRING PIN 2X6		*		1.00
14	40077797	GARMENT_CLAMP_RUBBER(SPONGE)		*		1.00
15	40071837	POCKET_FLAP_PRESSURE_RIGHT_ASSY				1.00
16	40062073	POCKET_FLAP_PRESSURE_RIGHT		*		1.00
17	40062080	POCKET_FLAP_PRESSURE_RUBBER		*		1.00
18	40062081	POCKET_FLAP_PRESSURE_CLAW		*		1.00
19	SM5850460SP	SCREW		*		4.00
20	40071838	POCKET_FLAP_PRESSURE_LEFT_ASSY				1.00
21	40062074	POCKET_FLAP_PRESSURE_LEFT		*		1.00
22	40062080	POCKET_FLAP_PRESSURE_RUBBER		*		1.00
23	40062081	POCKET_FLAP_PRESSURE_CLAW		*		1.00
24	SM5850460SP	SCREW		*		4.00
25	40062087	POCKET FLAP GUIDE RIGHT				1.00
26	40062088	POCKET FLAP GUIDE LEFT				1.00
27	SM4040455SP	SCREW				4.00
28	WP0430800SC	WASHER M4				4.00
29	40062077	POCKET_FLAP_PLATE				2.00
30	40019379	KNOB_SCREW				4.00
31	40072887	ASSY_CLOTH_GUIDE_L				1.00
32	40050687	CLOTH_GUIDE_L_FOR_ZIPPER		*		1.00
33	40026622	CLOTH_GUIDE_ARM_L		*		1.00
34	SS1060610SP	SCREW 3/32-56 L=5.5		*		2.00
35	40072888	ASSY_CLOTH_GUIDE_R				1.00
36	40050688	CLOTH_GUIDE_R_FOR_ZIPPER		*		1.00
37	40026623	CLOTH_GUIDE_ARM_R		*		1.00
38	SS1060610SP	SCREW 3/32-56 L=5.5		*		2.00
39	40070568	POCKET_SCALE_GUIDE				2.00
40	40070560	SLANT_FLAP_SENSOR_BRACKET_L				1.00
41	40064403	REFLECTION_SHEET_B				4.00
42	40071803	SA122_INSTALL_MANUAL				1.00
43	40062086	POCKET FOLDING PLATE L				1.00
44	40062085	POCKET FOLDING PLATE R				1.00

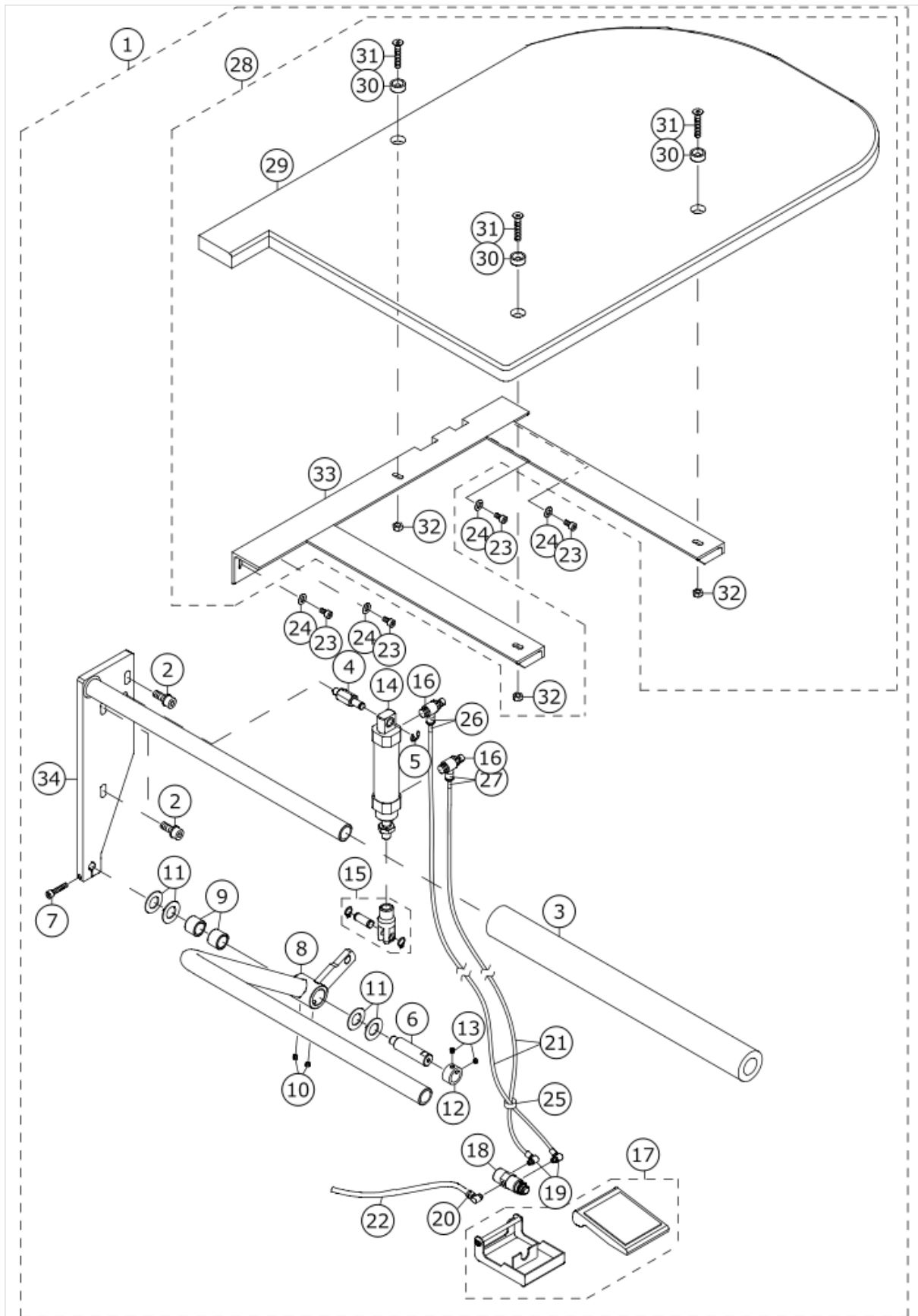
# SA-125: ZIPPER ATTACHMENT





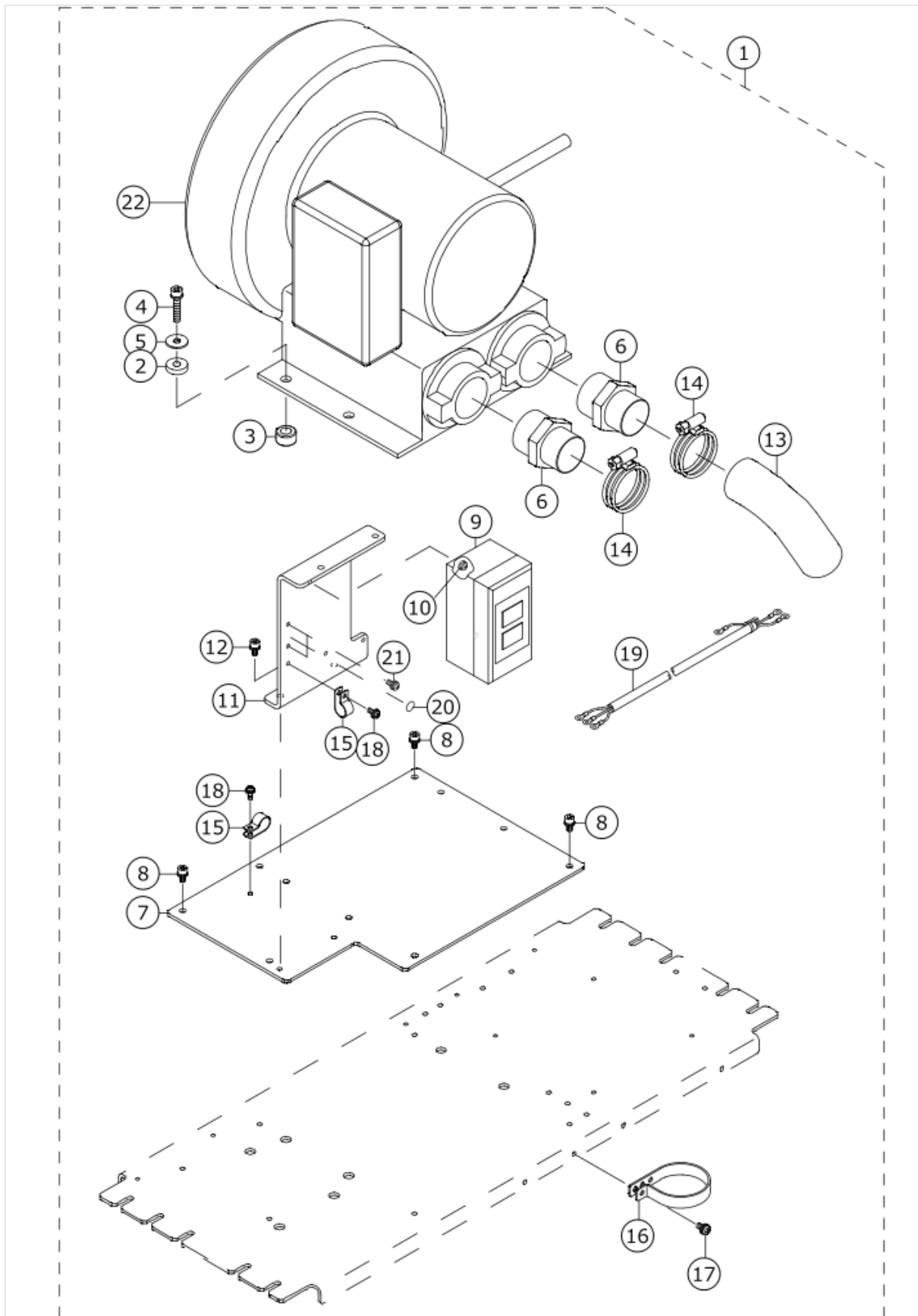
No.	品番	品名	備考	子部品	消耗品	個数
1	40045777	SA125_ZIPPER_ATTACHMENT				1.00
2	40048557	ZIPPER SET PLATE		*		2.00
3	WP0320500SC	WASHER M3		*		4.00
4	SM5030355SE	SCREW		*		4.00
5	40048559	ZIPPER PLATE BASE R		*		1.00
6	40048563	ZIPPER FLAP PRESSER RUBBER R		*		1.00
7	40050693	ADJUST RUBBER	ACCORDING TO THE LENGTH OF THE ZIPPER(1 ~ 3 PIECES ARE USED)	*		6.00
8	40072888	ASSY_CLOTH_GUIDE_R		*		1.00
9	40050688	CLOTH_GUIDE_R_FOR_ZIPPER		*		1.00
10	40026623	CLOTH_GUIDE_ARM_R		*		1.00
11	SS1060610SP	SCREW 3/32-56 L=5.5		*		2.00
12	40072887	ASSY_CLOTH_GUIDE_L		*		1.00
13	40050687	CLOTH_GUIDE_L_FOR_ZIPPER		*		1.00
14	40026622	CLOTH_GUIDE_ARM_L		*		1.00
15	SS1060610SP	SCREW 3/32-56 L=5.5		*		2.00
16	40048560	INSERTION PLATE L		*		1.00
17	40048558	ZIPPER PLATE BASE L		*		1.00
18	40048562	ZIPPER FLAP PRESSER RUBBER L		*		1.00
19	40048561	INSERTION PLATE R		*		1.00

# SA-126:BUNDLE CLAMP DEVICE



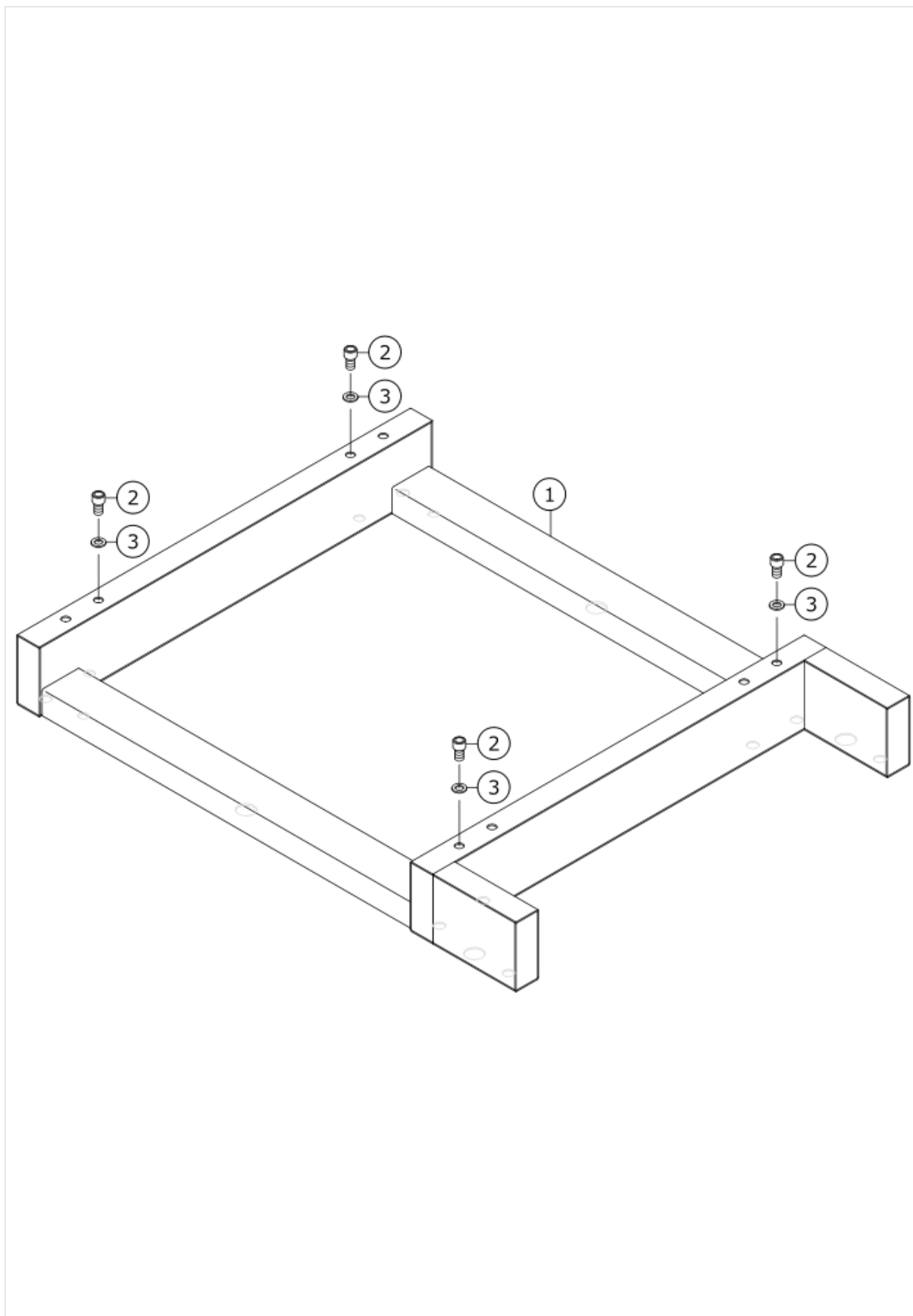
No.	品番	品名	備考	子部品	消耗品	個数
1	40045778	SA126_BUNDLE_CLAMP				1.00
2	SL6082042TN	BOLT	ACCESSORIES PARTS	*		3.00
3	40035143	CLAMP_BASE_CUSHION		*		1.00
4	40035136	CYLINDER_SHAFT_A		*		1.00
5	RE0700000K0	E-RING 7		*		1.00
6	40041821	BUNDLE_SHAFT		*		1.00
7	SM6052502TN	HEXAGONAL-HOLE BOLT		*		1.00
8	40041822	BUNDLE_CLAMP_BASE_A		*		1.00
9	40051479	METAL		*		2.00
10	SM8050412TP	SCREW M5 L=4		*		2.00
11	40035144	THRUST WASHER		*		4.00
12	CS1501181TP	THRUST COLLAR D=15 W=11		*		1.00
13	SM8050412TP	SCREW M5 L=4		*		2.00
14	PA2505004A0	AIR CYLINDER		*		1.00
15	PA900071000	CYLINDER JOINT		*		1.00
16	PC015108000	SPEED CONTROLLER		*		2.00
17	PX020002000	ACTUATOR		*		1.00
18	PV010502000	AIR VALVE		*		1.00
19	PJ046052503	HOSE ELBOW		*		2.00
20	PJ046054002	HOSE ELBOW		*		1.00
21	BT0400251EB	URETHANE HOSE BLACK		*		2.20
22	BT0600401EB	TUBE		*		2.20
23	SM6051002TN	BOLT	ACCESSORIES PARTS	*		4.00
24	WP0651001SC	WASHER	ACCESSORIES PARTS	*		4.00
25	EA9500B0100	CABLE BAND		*		3.00
26	18039503	WIRE MARK (46)		*		2.00
27	18039602	WIRE MARK (47)		*		2.00
28	40059327	BUNDLE_TABLE_ASSY		*		1.00
29	40041823	BUNDLE_TABLE		*		1.00
30	40026362	TABLE_WASHER		*		3.00
31	SM1063552TN	SCREW M6 L=35		*		3.00
32	NM6060001SC	NUT M6		*		3.00
33	40041824	BUNDLE_ASSY_FRAME		*		1.00
34	40041820	BUNDLE_CLAMP_BASE_B		*		1.00

# SA-127:VACUUM MOTOR DEVICE



No.	品番	品名	備考	子部品	消耗品	個数
1	40045779	SA127_VACUUM_MOTOR				1.00
2	B4420373000	CUSHION		*		1.00
3	B1123205000	RUBBER PAD		*		1.00
4	SL6063042TN	BOLT		*		1.00
5	WP0651646SC	WASHER		*		1.00
6	G5345172000	BLOWER JOINT		*		1.00
7	40036422	VACUUM_MOTOR_BASE		*		1.00
8	SL6051092TN	BOLT		*		1.00
9	HA003980000	SWITCH		*		1.00
10	SL4041091SC	SCREW M4 L=10		*		2.00
11	40036423	SWITCH_BRACKET		*		1.00
12	SL6051092TN	BOLT		*		1.00
13	40036419	HOSE_A		*		1.00
14	G5176136000	HOSE BAND		*		1.00
15	HX00150000F	CABLE CLIP		*		1.00
16	HX00150000S	CABLE BAND		*		1.00
17	SL4051091SC	SCREW M5X0.8 L=10		*		1.00
18	SL4041091SC	SCREW M4 L=10		*		1.00
19	40044892	AC POWER CORD D ASM.		*		1.00
20	E9567319000	EARTH MARK		*		1.00
21	SL4041091SC	SCREW M4 L=10		*		2.00
22	G6951172CA0	HITACHI POWER CORD COMPL.		*		1.00

# SA-129:STANDING WORK STAND



No.	品番	品名	備考	子部品	消耗品	個数
1	40036142	STANDING_BASE				1.00
2	SM6123002TN	SCWER M12 L=30				4.00
3	WP1202016SD	WASHER 12X21X2				4.00

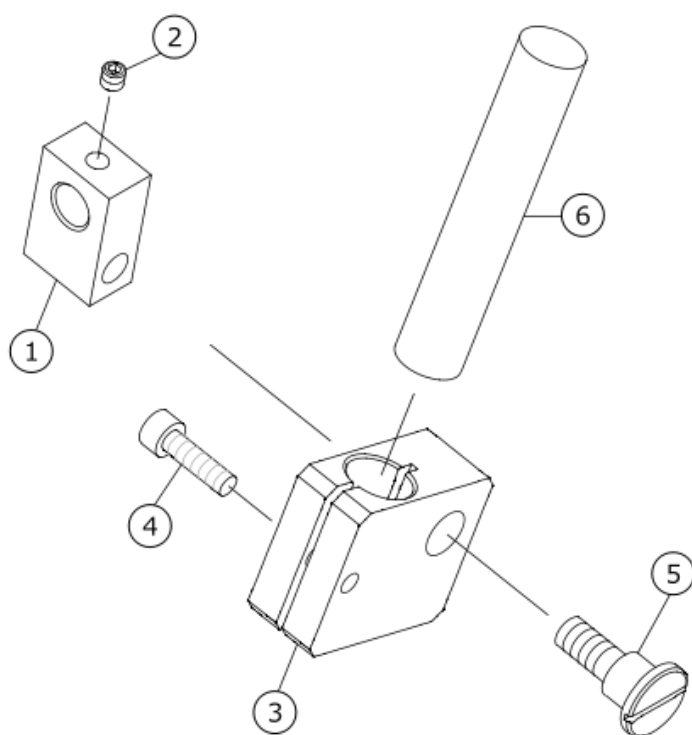




No.	品番	品名	備考	子部品	消耗品	個数
1	40045782	SA130_STANDING_WORK_PEDAL				1.00
2	40049356	STEPPING_PEDAL_BASE		*		1.00
3	40056572	RUBBER_FOOT		*		4.00
4	SM6040802TN	SCREW		*		4.00
5	11159001	PEDAL SHAFT BRACKET		*		2.00
6	SL6082092TN	BOLT		*		2.00
7	D8113555B00	PEDAL BUSHING		*		2.00
8	B8153771000	PEDAL CONNECTING ROD		*		1.00
9	GPF06060000	PEDAL		*		1.00
10	GPF06070000	PEDAL MAT		*		1.00
11	GPF06080000	PEDAL ADJUSTING PLATE		*		1.00
12	SL6061492TN	BOLT		*		2.00
13	SM6051202TN	SCREW M5X0.8 L=12		*		1.00
14	40049360	STEPPING_LEVER		*		1.00
15	SD0800746TP	SHOULDER SCREW		*		1.00
16	40049361	COLLAR		*		1.00
17	40049366	BALL_PLUNGER		*		1.00
18	40049862	GEAR_2		*		1.00
19	SM8040612TP	SCREW M4 L=6		*		1.00
20	40049861	GEAR_1		*		1.00
21	SM8040412TP	SET SCREW M4 L=4		*		1.00
22	SL4040891SC	SCREW M4 L=8		*		1.00
23	HX00150000B	CABLE CLIP		*		1.00
24	40055805	PEDAL SWITCH CORD ASM		*		1.00
25	40017742	EARTH CORD ASSY		*		1.00
26	SM9040500SN	SCREW M4X0.7 L=5		*		1.00
27	40049359	SWITCH_BKT		*		1.00
28	SL6040892TN	BOLT		*		2.00
29	NM6060001SC	NUT M6		*		2.00
30	40049363	ANCHOR		*		1.00
31	40049365	SPRING		*		1.00
32	40049362	SPRING_HANG_ARM		*		1.00
33	SM6051202TN	SCREW M5X0.8 L=12		*		1.00
34	40049364	ANCHOR		*		1.00
35	NM6060001SC	NUT M6		*		1.00
36	40049367	METAL		*		2.00
37	40056893	LINK_SHAFT		*		1.00
38	40049357	SWITCH_BOX		*		1.00
39	SL6061492TN	BOLT		*		2.00
40	40049358	SWITCH_BOX_COVER		*		1.00
41	SM0040601SC	SCREW M4X0.7 L=6		*		2.00
42	40055808	RESET PEDAL SW ASM.		*		1.00
43	SM1040801SC	SCREW M4X0.7 L=8		*		2.00
44	SM9065003SC	SCREW M6 L=50		*		1.00
45	NM6060001SC	NUT M6		*		1.00
46	SM9063003SC	SCREW M6 L=30		*		1.00
47	NM6060001SC	NUT M6		*		1.00
48	40055804	PEDAL SW EARTH PLATE		*		1.00
49	SL4040691SC	SCREW M4 L=6		*		1.00
50	HX00150000B	CABLE CLIP		*		1.00

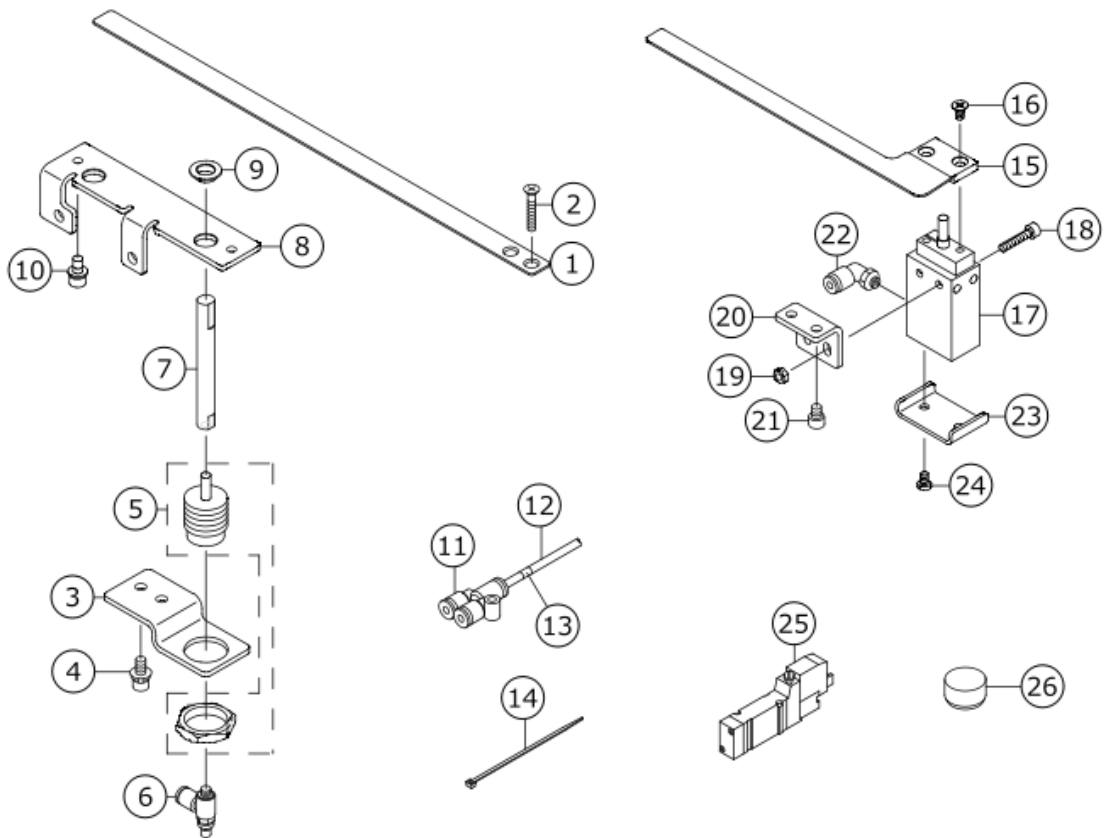
51	SL4040891SC	SCREW M4 L=8		*		1.00
52	EA9500B0000	CLIP CV-70S		*		4.00
53	E9567319000	EARTH MARK		*		1.00
54	SL6082092TN	BOLT		*		1.00

# SA-131N:ADDITIONAL MARKING LIGHT



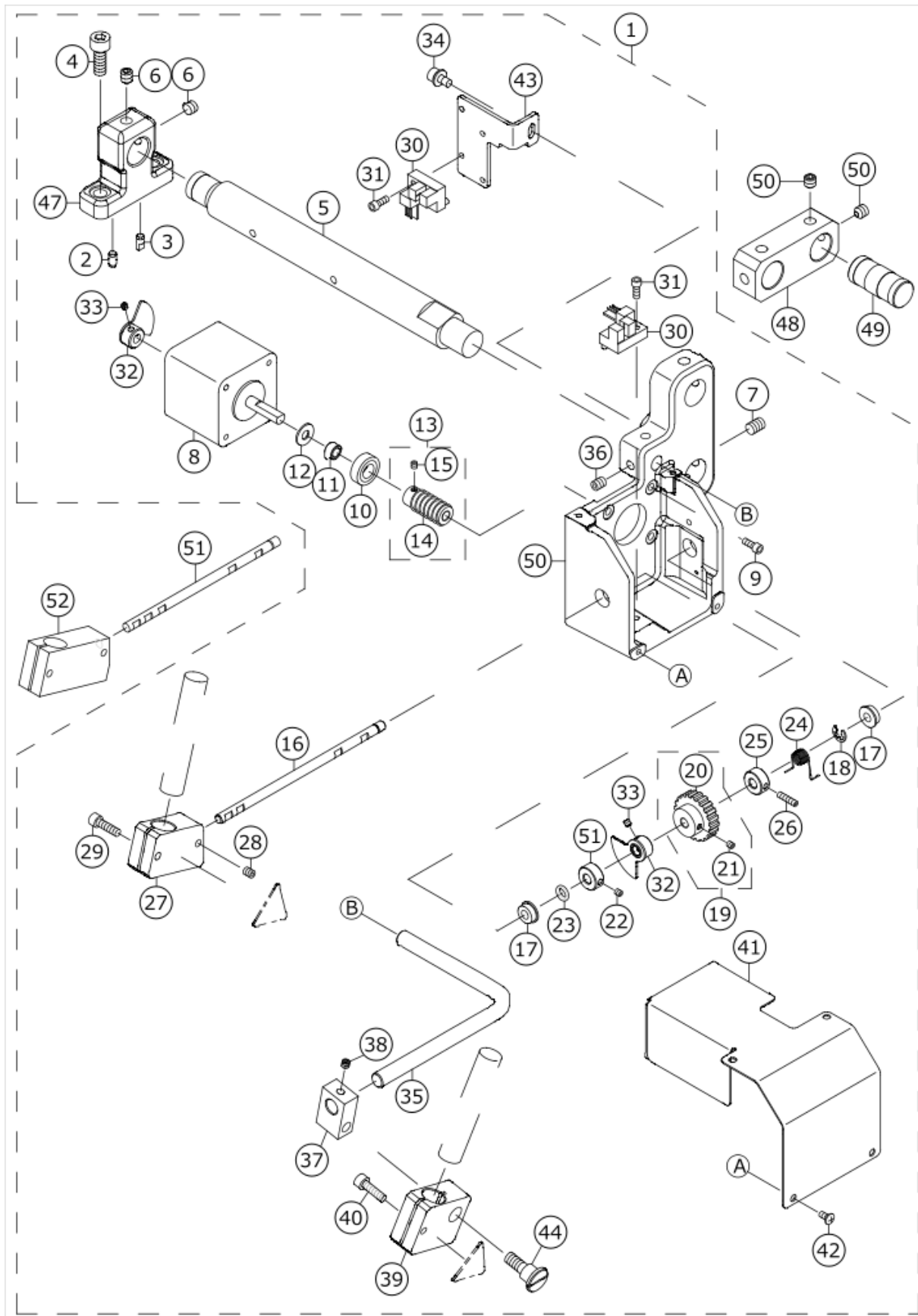
No.	品番	品名	備考	子部品	消耗品	個数
1	40034002	FIXED HOLDER_B				1.00
2	SM8040412TP	SET SCREW M4 L=4				1.00
3	40034001	FIXED HOLDER_A				1.00
4	SM6041402TN	SCREW M4X0.7 L=14				1.00
5	SD0900706TP	SHOULDER SCREW D=9 H=7				1.00
6	KE000000010	LAMP				1.00

# SA-136N:WORK PIECE CLAMP DEVICE



No.	品番	品名	備考	子部品	消耗品	個数
1	40045750	WORK_PIECE_CLAMP_M				1.00
2	SM1042501SC	SCREW M4X0.7 L=25				2.00
3	40034466	WORK_PIECE_CLAMP_CYLINDER_BRACKET				1.00
4	SL6051092TN	BOLT				2.00
5	PA1500505A0	AIR CYLINDER				1.00
6	PC010507000	SPEED CONTROLLER				1.00
7	40149429	WORK_PIECE_CYLINDER_ROD / n				1.00
8	40034469	WORK_PIECE_CLAMP_GUIDE_PLATE				1.00
9	40034468	WORK_PIECE_CYLINDER_ROD_BUSH				2.00
10	SL6051092TN	BOLT				2.00
11	PJ308040002	QUICK COUPLING				1.00
12	BT0400251EB	URETHANE HOSE BLACK				1.00
13	18035600	WIRE MARK (7)				9.00
14	EA9500B0100	CABLE BAND				6.00
15	40034470	HAIR_CLOTH_PRESSER				1.00
16	SM1040801SC	SCREW M4X0.7 L=8				2.00
17	PA160152900	AIR CYLINDER				1.00
18	SM6042002TN	BOLT				2.00
19	NM6040001SC	NUT M4				2.00
20	40145349	HAIR_CLOTH_PRESSER_CYLINDER_BRACKET / n				1.00
21	SM6050652TP	HEXAGON SOCKET HEAD SCREW M5X6				2.00
22	PJ304040506	ELBOW UNION				1.00
23	40043627	CYLINDER_COVER				1.00
24	SM4040655SN	SCREW M4X0.7 L=6				2.00
25	PV150104000	5-PORT SOKENOID VALVE				1.00
26	TA1701002R0	RUBBER PLUG				1.00

# SA-141/SA-141L: MARKING LIGHT UNIT

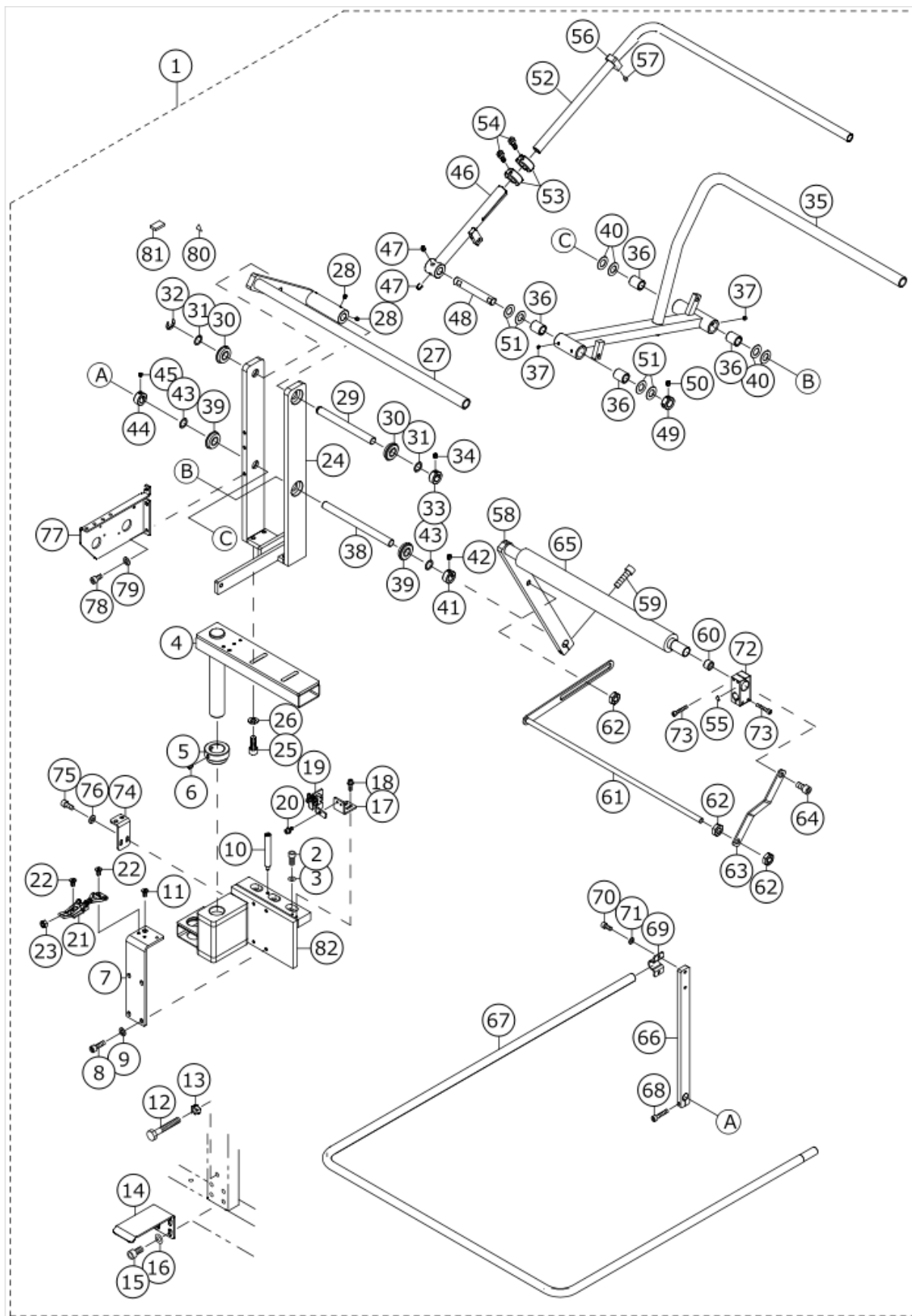


No.	品番	品名	備考	子部品	消耗品	個数
1	40149327	SA141_AUTO_MARKING_LIGHT				1.00
2	13302500	DOWEL PIN 2		*		1.00
3	13301908	DOWEL PIN		*		1.00
4	SM6061602TN	SCREW M6 L=16		*		2.00
5	40033998	MARKING_SHAFT		*		1.00
6	SM8060552TP	SCREW M6 L=5		*		3.00
7	SM8060842TP	SCREW M6 L=8		*		1.00
8	40044470	MARKING LIGHT MOTOR		*		1.00
9	SM6030802TN	BOLT		*		4.00
10	SB408000100	BEARING		*		1.00
11	40027363	BEARING_COLLAR		*		1.00
12	B2107816000	WASHER		*		1.00
13	40180706	WORM_ASM.		*		1.00
14	40173025	WORM		*		1.00
15	SM8030312TP	SCREW M3 L=3		*		1.00
16	40027362	GEAR_SHAFT		*		1.00
17	SB105000400	BEARING		*		2.00
18	RE0400000KP	E-RING 4		*		1.00
19	40180707	WORM_WHEEL_ASM.		*		1.00
20	40173026	WORM_WHEEL		*		1.00
21	SM8030412TP	SCREW		*		1.00
22	SM8030312TP	SCREW M3 L=3		*		1.00
23	RO048190100	RUBBER RING		*		1.00
24	40034004	SPRING		*		1.00
25	40040243	SPRING_HOOK		*		1.00
26	SM8031212TP	SCREW		*		1.00
27	40027360	MARKING_LIGHT HOLDER		*		1.00
28	SM8040512TP	SCREW		*		1.00
29	SM6041402TN	SCREW M4X0.7 L=14		*		1.00
30	HD00057000A	PHOTO SENSOR		*		2.00
31	SM6030802TN	BOLT		*		2.00
32	40031056	SENSOR_SLIT_ASM.		*		2.00
33	SM8030312TP	SCREW M3 L=3		*		4.00
34	SL6040892TN	BOLT		*		1.00
35	40034000	FIXED_SHAFT		*		1.00
36	SM8050602TP	SCREW M5 L=6		*		2.00
37	40034002	FIXED HOLDER_B		*		1.00
38	SM8040412TP	SET SCREW M4 L=4		*		1.00
39	40034001	FIXED HOLDER_A		*		1.00
40	SM6041402TN	SCREW M4X0.7 L=14		*		1.00
41	40034005	MARKING_LIGHT_COVER		*		1.00
42	SM0030601SC	SCREW M3X0.5 L=6		*		4.00
43	40010531	SENSOR_INSTALLING_BASE		*		1.00
44	SD0900706TP	SHOULDER SCREW D=9 H=7		*		1.00
45	40027359	GEAR_BOX		*		1.00
46	40040243	SPRING_HOOK		*		1.00
47	40033997	MARKING_LIGHT_BASE		*		1.00
48	40078114	LONG_JOINT_BASE	FOR LONG SIZE			1.00
49	40078115	LONG_JOINT_SHAFT	FOR LONG SIZE			1.00
50	SM8060602TP	SCREW M6X6	FOR LONG SIZE			8.00



51	40078141	GEAR_SHAFT_W	FOR LONG SIZE			1.00
52	40078142	MARKING_LIGHT HOLDER_W	FOR LONG SIZE			1.00

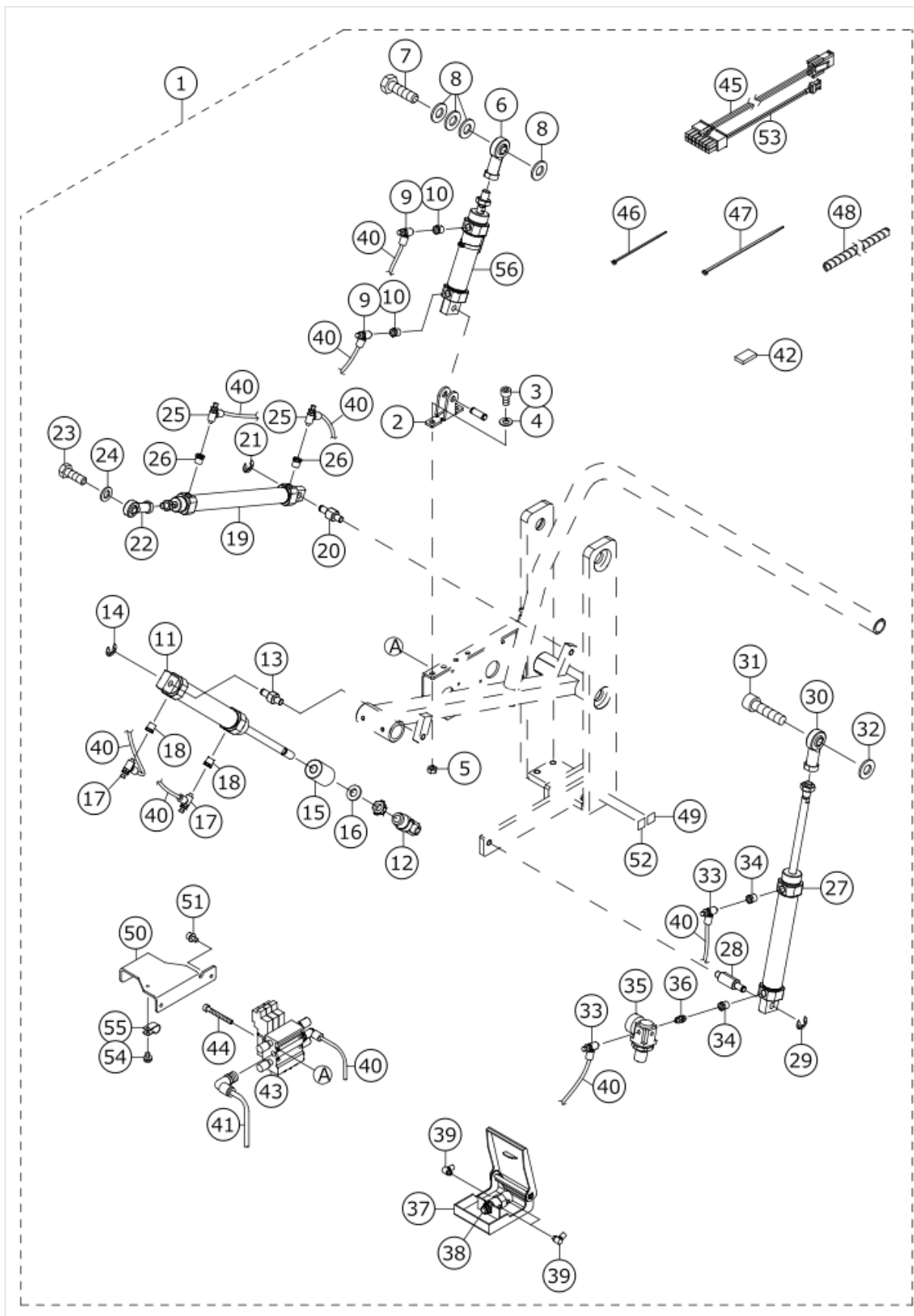
# SP-46N:CLAMP BAR STACKER DEVICE (1)



No.	品番	品名	備考	子部品	消耗品	個数
1	40149292	CLAMP_BAR_STACKER_DEVICE(SP-46N)				1.00
2	SM6082002TN	SCREW M8 L=20		*		3.00
3	WP0841600SC	WASHER		*		3.00
4	40149700	STACKER_BASE_C_(VE)		*		1.00
5	40035128	BASE_COLLAR		*		1.00
6	SM8061002TP	SCREW M6 L=10		*		2.00
7	40145396	STACKER_BASE_F_(VE)		*		1.00
8	SM6061602TN	SCREW M6 L=16		*		4.00
9	WP0651001SC	WASHER		*		4.00
10	40145395	BASE_STAD_(VE)		*		1.00
11	SM1051001SC	SCREW M5 L=10		*		1.00
12	SM9085553SC	HEXAGONAL BOLT		*		1.00
13	NM6080001SC	NUT M8X1.25 TYPE1		*		1.00
14	40040597	STACKER_SUPPORT_PLATE_(VE)		*		1.00
15	SM6081602TN	SCREW M8 L=16		*		4.00
16	WP0841600SC	WASHER		*		4.00
17	40033797	OPEN_SENSOR_BRACKET		*		1.00
18	SL6041492TN	SCREW M4 L=14		*		2.00
19	M8598610AA0	HEAD DETECT SWITCH ASM.		*		1.00
20	SL6041092TN	SCREW M4 L=10		*		1.00
21	40035146	ADJUSTABLE_FASTENERS		*		1.00
22	SM1051001SC	SCREW M5 L=10		*		4.00
23	NM6060001SC	NUT M6		*		2.00
24	40149698	STACKER_BASE_E		*		1.00
25	SM6082002TN	SCREW M8 L=20		*		4.00
26	WP0841600SC	WASHER		*		4.00
27	40149642	CLOTH_BRUSH_BAR_D		*		1.00
28	SM8050592TP	SCREW		*		4.00
29	40149639	SHAFT_B		*		1.00
30	SB1150010C0	BEARING		*		2.00
31	D1231555B00	WASHER		*		2.00
32	RE1200000K0	E-RING 12		*		1.00
33	CS1501171TP	THRUST COLLAR D=15 W=11		*		1.00
34	SM8060612TP	SCREW M6 L=6		*		2.00
35	40145385	CLOTH_BRUSH_BAR_A		*		1.00
36	40035147	METAL		*		4.00
37	SM8050592TP	SCREW		*		4.00
38	40149640	SHAFT_C		*		1.00
39	SB1150010C0	BEARING		*		2.00
40	40035145	THRUST WASHER		*		4.00
41	CS1501171TP	THRUST COLLAR D=15 W=11		*		1.00
42	SM8060612TP	SCREW M6 L=6		*		2.00
43	D1231555B00	WASHER		*		2.00
44	CS1501171TP	THRUST COLLAR D=15 W=11		*		1.00
45	SM8060612TP	SCREW M6 L=6		*		2.00
46	40035121	CLOTH_BRUSH_BAR_B		*		1.00
47	SM8060812TP	SCREW M6 L=8		*		2.00
48	40040602	SHAFT_A_(VE)		*		1.00
49	CS1501171TP	THRUST COLLAR D=15 W=11		*		1.00
50	SM8060612TP	SCREW M6 L=8		*		2.00

51	40035144	THRUST WASHER		*		4.00
52	40035122	CLOTH_BRUSH_BAR_C		*		1.00
53	40033783	CLAMP		*		2.00
54	SM6061202TN	BOLT		*		2.00
55	CM300200001	ATTENTION SEAL		*		1.00
56	40097537	BAR_STOPPER		*		1.00
57	SM8060802TP	SCREW M6 L=8		*		1.00
58	40145388	CLAMP_BASE		*		1.00
59	SM6083002TN	SCREW M8 L=30		*		1.00
60	40035130	CLAMP_BASE_NUT		*		1.00
61	40145391	ASSIST_PLATE		*		1.00
62	NM6100003SC	NUT M10X1.5 TYPE3		*		3.00
63	40040588	ASSIST_BAR_SUPPORT_PLATE_(VE)		*		1.00
64	SM6102002TN	SCREW M10 L=20		*		1.00
65	40035143	CLAMP_BASE_CUSHION		*		1.00
66	40145397	SAFTY_BAR_A		*		1.00
67	40145398	SAFTY_BAR_B		*		1.00
68	SM6052502TP	SCREW M5X0.8 L=25		*		1.00
69	40145387	BAR_CLAMP_PLATE		*		1.00
70	SM6051202TP	SCREW M5X0.8 L=12		*		2.00
71	WP0531000SD	WASHER M5		*		2.00
72	40035129	STRUT_CLAMP		*		1.00
73	SM6042502TN	SCREW M4X0.7 L=25		*		4.00
74	40145412	STACKER_ROCK_PLATE_(VE)		*		1.00
75	SM6061402TP	SCREW M6 L=14		*		4.00
76	WP0651001SC	WASHER		*		4.00
77	40040601	VALVE_BRACKET_(VE)		*		1.00
78	SM6061202TP	SCREW M6 L=12		*		3.00
79	WP0651001SC	WASHER		*		3.00
80	CM300200001	ATTENTION SEAL		*		1.00
81	40039896	CUSHION		*		1.00
82	40145384	STACKER_BASE_A_(VE)		*		1.00

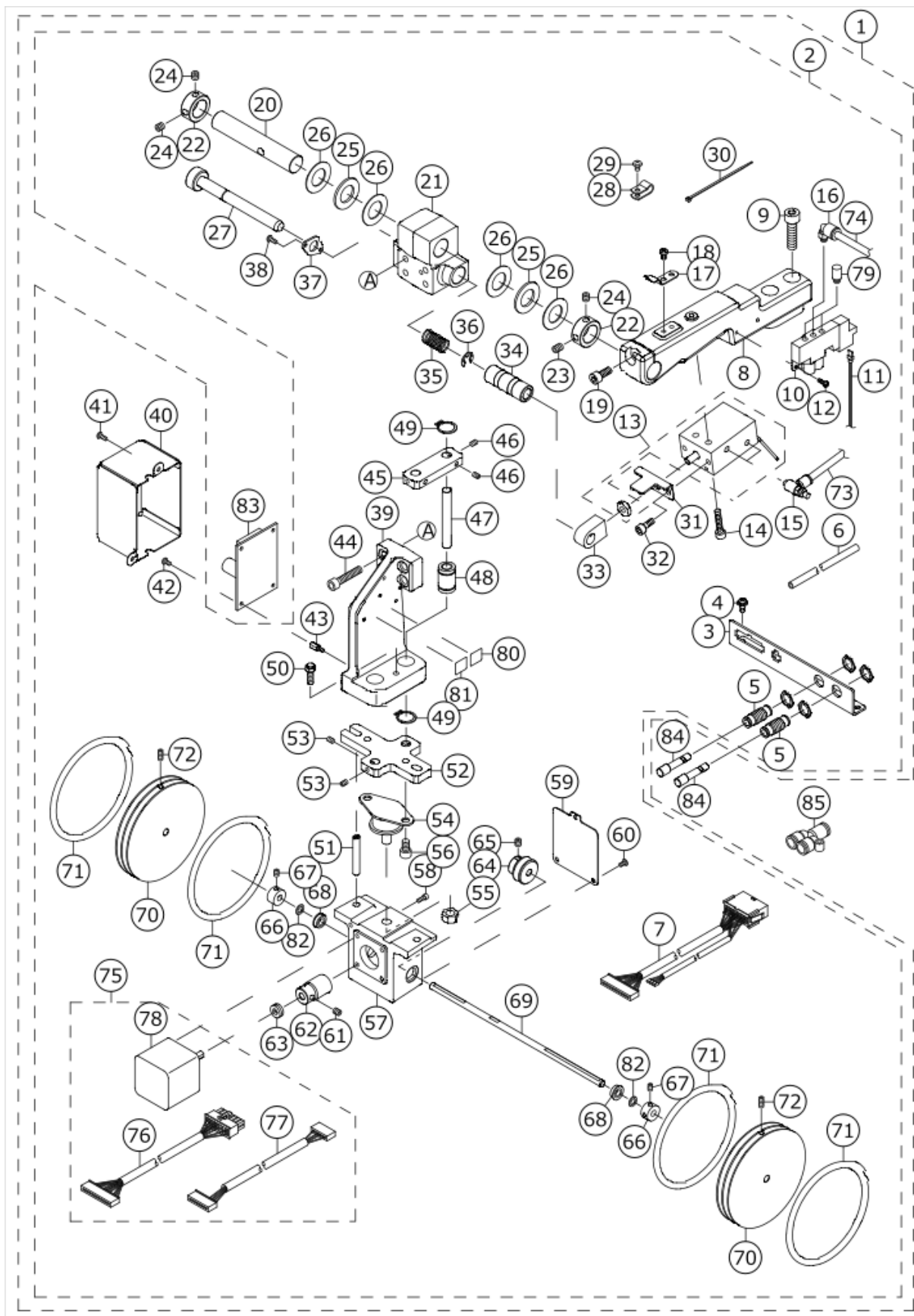
# SP-46N:CLAMP BAR STACKER DEVICE (2)



No.	品番	品名	備考	子部品	消耗品	個数
1	40149292	CLAMP_BAR_STACKER_DEVICE(SP-46N)				1.00
2	PA900060000	CLEVIS HOLDER		*		1.00
3	SM6061402TP	SCREW M6 L=14		*		2.00
4	WP0651001SC	WASHER		*		2.00
5	NM6060001SC	NUT M6X1 TYPE1		*		2.00
6	40040603	ROD_END		*		1.00
7	SM9103513SC	SCREW M10 L=35		*		1.00
8	WP1052001SC	WASHER 10		*		4.00
9	PC010508000	SPEED CONTROLLER		*		2.00
10	PJ015105001	BUSHING		*		2.00
11	PA2511001A0	AIR CYLINDER		*		1.00
12	PA900071000	CYLINDER JOINT		*		1.00
13	40145403	CYLINDER_SHAFT_B		*		1.00
14	RE0700000K0	E-RING 7		*		1.00
15	40145409	CYLINDER_ROD_STOPPER		*		1.00
16	WP1052001SC	WASHER 10		*		1.00
17	PC010508000	SPEED CONTROLLER		*		2.00
18	PJ015105001	BUSHING		*		2.00
19	40035150	CYLINDER(S=160)		*		1.00
20	40145404	CYLINDER_SHAFT_C		*		1.00
21	RE0700000K0	E-RING 7		*		1.00
22	40035314	ROD_END		*		1.00
23	SM9082503SE	HEXAGONAL HEADED BOLT		*		1.00
24	WP0841600SE	WASHER 8		*		1.00
25	PC010508000	SPEED CONTROLLER		*		2.00
26	PJ015105001	BUSHING		*		2.00
27	PA2511001A0	AIR CYLINDER		*		1.00
28	40149699	CYLINDER_SHAFT_A		*		1.00
29	RE0700000K0	E-RING 7		*		1.00
30	40040603	ROD_END		*		1.00
31	SM6105502TN	HEXAGONAL-HOLE BOLT M10 L=55		*		1.00
32	WP1052001SC	WASHER 10.5X21X2		*		4.00
33	PC010508000	SPEED CONTROLLER		*		2.00
34	PJ015105001	BUSHING		*		2.00
35	PF0205010C0	AIR REGULATOR		*		1.00
36	PJ030050001	UNIVERSAL NIPPLE		*		1.00
37	PX020002000	ACTUATOR		*		1.00
38	PV010502000	AIR VALVE		*		1.00
39	PJ046052503	HOSE ELBOW		*		3.00
40	BT0400251EB	URETHANE TUBE BLACK 4X2.5		*		10.00
41	BT0600401EB	URETHANE TUBE BLACK 6X4		*		1.50
42	40039896	CUSHION		*		4.00
43	40040527	MANIFOLD_VALVE_ASSY		*		1.00
44	SM6043552TN	SCREW M4 L=35		*		2.00
45	40044893	STACKER CORD B ASM		*		1.00
46	EA9500B0100	CABLE BAND		*		11.00
47	EA9500B0200	CABLE BAND		*		10.00
48	HX00314000B	SPIRAL TUBE		*		0.50
49	CM600100101	WEEE MARK LABEL S		*		1.00
50	40054973	VALVE_COVER		*		1.00

51	SL6041092TN	SCREW		*		2.00
52	40150131	EAC_MARK_LABEL_S		*		1.00
53	40032964	AIR VALVE CABLE ASM		*		3.00
54	SL4040891SC	SCREW M4 L=8		*		1.00
55	HX00150000D	CABLE CLIP		*		1.00
56	40035148	CYLINDER(S=50)		*		1.00

# SP-47N:ROLLER STACKER DEVICE


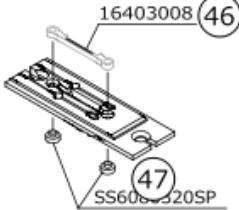
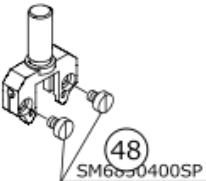
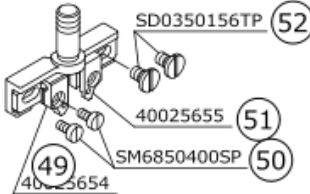








No.	品番	品名	備考	子部品	消耗品	個数
1	40149291	ROLLER_STACKER_DEVICE(SP-47N)				1.00
2	40149355	ROLLER_STACKER_DEVICE_VN(SP-47N)		*		1.00
3	40034464	PLUG_BRACKET		*		1.00
4	SL4041091SC	SCREW M4 L=10		*		3.00
5	PJ230006200	UNION		*		2.00
6	BT0600400EC	TUBE HOSE BLUE		*		0.50
7	40043988	ROLLER STACKER RERAY CORD B ASM.		*		1.00
8	40033769	ROLLER_STACKER_BASE_A		*		1.00
9	SM6083002TN	SCREW M8 L=30		*		2.00
10	PV1502060B0	5-PORT SOLENOID VALVE		*		1.00
11	40032964	AIR VALVE CABLE ASM		*		1.00
12	SM4030855SN	SCREW M3 L=8.0		*		2.00
13	40033805	ASSY_ROLLER_STACKER_CYLINDER		*		1.00
14	SM6052502TN	HEXAGONAL HOLE BOLT		*		2.00
15	PC010508000	SPEED CONTROLLER		*		2.00
16	PJ304040505	ELBOW		*		1.00
17	40033770	ROCK_SPRING		*		1.00
18	SM4040655SN	SCREW M4X0.7 L=6		*		2.00
19	SM6061402TN	BOLT		*		1.00
20	40033771	PIVOT_SHAFT		*		1.00
21	40033768	PIVOT_BASE		*		1.00
22	CS1701181TP	THRUST COLLAR D=17 W=11		*		2.00
23	SM8060842TP	SCREW M6 L=8		*		1.00
24	SM8060612TP	SCREW M6 L=6		*		3.00
25	B1211280000	THRUST BEARING		*		2.00
26	B1643470000	THRUST WASHER		*		4.00
27	40033773	ROCK_SHAFT		*		1.00
28	HX00150000B	CABLE CLIP		*		3.00
29	SM4040655SN	SCREW M4X0.7 L=6		*		3.00
30	EA9500B0100	CABLE BAND		*		5.00
31	40041358	CYL_PLATE		*		1.00
32	SM6050802TN	BOLT		*		2.00
33	40041357	CYL_JOINT		*		1.00
34	40041370	METAL		*		1.00
35	40041372	SPRING		*		1.00
36	RE0700000K0	E-RING 7		*		1.00
37	40041371	SPRING_PLATE		*		1.00
38	SM4030855SN	SCREW M3 L=8.0		*		2.00
39	40041360	ROLLER_STACKER_ARM		*		1.00
40	40114101	PCB_COVER_ASM.		*		1.00
41	SM4030855SN	SCREW M3 L=8.0		*		2.00
42	SM4030601SN	SCREW M3 L=6		*		4.00
43	G5858830000	STUD		*		4.00
44	SM6062002TN	SCREW M6 L=20		*		4.00
45	40041361	SHAFT_GUIDE_BLOCK		*		1.00
46	SM8040612TP	SCREW M4 L=6		*		4.00
47	40041363	GUIDE_SHAFT_A		*		2.00
48	SB708000100	BEARING		*		2.00
49	RC0150001KP	RETAINING RING 13.8		*		4.00
50	40036277	STOPPER BOLT		*		1.00

51	40041364	GUIDE_SHAFT_B		*		2.00
52	40041362	BASE_PLATE		*		1.00
53	SM8040612TP	SCREW M4 L=6		*		4.00
54	40039769	DAMPER		*		1.00
55	NM6080001SC	NUT M8X1.25		*		1.00
56	SM6061002TP	SCREW M6 L=10		*		2.00
57	40041366	GEAR_BOX		*		1.00
58	SM6030802TN	BOLT		*		4.00
59	40041367	GEAR_BOX_COVER		*		1.00
60	SM0030601SC	SCREW M3X0.5 L=6		*		3.00
61	SM8050612TP	SCREW M5X6		*		2.00
62	40043811	WORM		*		1.00
63	SB406000100	THRUST BEARING		*		1.00
64	40043812	WORM_WHEEL		*		1.00
65	SM8050612TP	SCREW M5X6		*		2.00
66	G6014880000	LINK THRUST HOLDER		*		2.00
67	SM8040612TP	SCREW M4 L=6		*		4.00
68	SB106000700	BALL BEARING		*		2.00
69	40041359	ROLLER_SHAFT		*		1.00
70	40041368	ROLLER_90		*		2.00
71	40041369	O_RING		*		4.00
72	SM8041012TP	SCREW M4 L=10		*		2.00
73	BT0400251EB	URETHANE HOSE BLACK		*		0.50
74	BT0600400EC	TUBE HOSE BLUE		*		0.30
75	40044897	ROLLER STACKER CTL		*		1.00
76	40044887	ROLLER STACKER RERAY CORD C ASM.		*		1.00
77	40114334	ROLLER STACKER RELAY CORD E ASM.		*		1.00
78	40044473	ROLLER STACKER MOTOR		*		1.00
79	PX050501000	SILENCER		*		2.00
80	CM600100101	WEEE MARK LABEL S		*		1.00
81	40150131	EAC_MARK_LABEL_S		*		1.00
82	WP0621026SP	WASHER 6.2X9.5X1		*		2.00
83	40040396	PMDC X1 PCB ASSY		*		1.00
84	PX950001000	PLUG				2.00
85	PJ308060003	Y UNION				4.00

# GAUGE COMPONENTS (1)


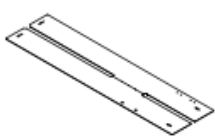
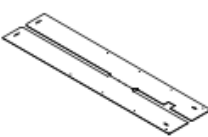
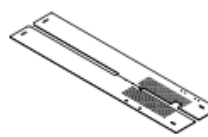

Needle gauge 針 幅	Needle plate 針 板		Needle clamp (for delivery) 針 留 (出荷用)		Needle clamp (for replacement) 針 留 (交換用)	
						
mm	Ref.No.	Part No.	Ref.No.	Part No.	Ref.No.	Part No.
8mm	①	400-46300	⑭	400-46313	⑳	400-45696
10mm	②	400-46301	⑮	400-46314		
12mm	③	400-46302	⑯	400-46315		
14mm	④	400-46303	⑰	400-46316		
16mm	⑤	400-46304	⑱	400-46317	㉑	400-45697
18mm	⑥	400-46305	⑲	400-46318		
20mm	⑦	400-46306	㉀	400-46319		
22mm	⑧	400-46307	㉁	400-46320	㉒	400-45698
24mm	⑨	400-46308	㉂	400-46321		
26mm	⑩	400-46309	㉃	400-46322		
28mm	⑪	400-46310	㉄	400-46323	㉓	400-45699
30mm	⑫	400-46311	㉅	400-46324		
32mm	⑬	400-46312	㉆	400-46325		


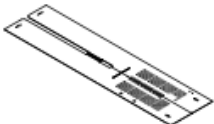
Needle gauge 針 幅	Needle thread knife 上糸切りメス		Needle thread counter knife 上糸切り固定メス		Needle thread clamp plate 上糸クランプ板	
						
mm	Ref.No.	Part No.	Ref.No.	Part No.	Ref.No.	Part No.
8mm	⑳	400-33814	㉑	164-09906	㉒	400-33815
10mm	㉓	400-33814				
	㉔	400-23020				
12mm	㉕	400-23020				
14mm	㉖	400-33809	㉑	164-11308	㉒	164-11407
16mm						
18mm	㉗	400-33810				
20mm	㉘	400-33811	㉑	164-11308	㉒	164-11407
22mm						
24mm	㉙	400-33811	㉑	400-39788	㉒	400-39783
26mm	㉚	400-33812				
28mm	㉛	400-33813				
30mm						
32mm	㉜	400-33813				



No.	品番	品名	備考	子部品	消耗品	個数
1	40046300	NEEDLE_PLATE_08_ASM.				1.00
2	40046301	NEEDLE_PLATE_10_ASM.				1.00
3	40046302	NEEDLE_PLATE_12_ASM.				1.00
4	40046303	NEEDLE_PLATE_14_ASM.				1.00
5	40046304	NEEDLE_PLATE_16_ASM.				1.00
6	40046305	NEEDLE_PLATE_18_ASM.				1.00
7	40046306	NEEDLE_PLATE_20_ASM.				1.00
8	40046307	NEEDLE_PLATE_22_ASM.				1.00
9	40046308	NEEDLE_PLATE_24_ASM.				1.00
10	40046309	NEEDLE_PLATE_26_ASM.				1.00
11	40046310	NEEDLE_PLATE_28_ASM.				1.00
12	40046311	NEEDLE_PLATE_30_ASM.				1.00
13	40046312	NEEDLE_PLATE_32_ASM.				1.00
14	40046313	NEEDLE_BAR_CLAMP_08_ASM.				1.00
15	40046314	NEEDLE_BAR_CLAMP_10_ASM.				1.00
16	40046315	NEEDLE_BAR_CLAMP_12_ASM.				1.00
17	40046316	NEEDLE_BAR_CLAMP_14_ASM.				1.00
18	40046317	NEEDLE_BAR_CLAMP_16_ASM.				1.00
19	40046318	NEEDLE_BAR_CLAMP_18_ASM.				1.00
20	40046319	NEEDLE_BAR_CLAMP_20_ASM.				1.00
21	40046320	NEEDLE_BAR_CLAMP_22_ASM.				1.00
22	40046321	NEEDLE_BAR_CLAMP_24_ASM.				1.00
23	40046322	NEEDLE_BAR_CLAMP_26_ASM.				1.00
24	40046323	NEEDLE_BAR_CLAMP_28_ASM.				1.00
25	40046324	NEEDLE_BAR_CLAMP_30_ASM.				1.00
26	40046325	NEEDLE_BAR_CLAMP_32_ASM.				1.00
27	40045696	PH=NEEDLE_CLAMP_BASE_8_14				1.00
28	40045697	PH=NEEDLE_CLAMP_BASE_16_20				1.00
29	40045698	PH=NEEDLE_CLAMP_BASE_22_26				1.00
30	40045699	PH=NEEDLE_CLAMP_BASE_28_32				1.00
31	40033814	UPPER_KNIFE_8				1.00
32	40033814	UPPER_KNIFE_8				1.00
33	40023020	UPPER_KNIFE_10_12				1.00
34	40023020	UPPER_KNIFE_10_12				1.00
35	40033809	UPPER_KNIFE_14_16				1.00
36	40033810	UPPER_KNIFE_18_20				1.00
37	40033811	UPPER_KNIFE_22_24				1.00
38	40033812	UPPER_KNIFE_26_28				1.00
39	40033813	UPPER_KNIFE_30_32				1.00
40	16409906	NEEDLE_THREAD_COUNTER_KNIFE				1.00
41	16411308	NEEDLE_THREAD_COUNTER_KNIFE_A				1.00
42	40039788	NEEDLE_THREAD_COUNTER_KNIFE_B				1.00
43	40033815	CLAMP_PLATE				1.00
44	16411407	CLAMP PLATE A				1.00
45	40039783	CLAMP_PLATE_B				1.00
46	16403008	CONTER KNIFE, RIGHT				1.00
47	SS6080320SP	SCREW 1/8-44 L= 2.5				2.00
48	SM6850400SP	SCREW M2.5 L=4				2.00
49	40025654	NEEDLE_CLAMP_LEFT				1.00
50	SM6850400SP	SCREW M2.5 L=4				2.00

51	40025655	NEEDLE_CLAMP_RIGHT				1.00
52	SD0350156TP	SHOULDER SCREW				2.00

## GAUGE COMPONENTS (2)


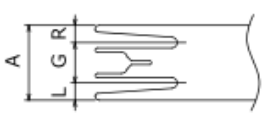
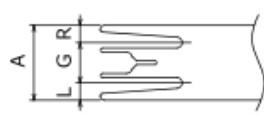
Needle gauge	Sewing table		Paving plate		Vacuum separate		Vacuum	
針 幅	縫製テーブル		敷板		バキューム		バキューム	
								
mm	Ref.No.	Part No.	Ref.No.	Part No.	Ref.No.	Part No.	Ref.No.	Part No.
8mm	①	400-26357	⑤	400-27131	⑨	400-57372	⑮	400-49901
10mm					⑩	400-57373	⑯	400-49902
12mm					⑪	400-57374	⑰	400-49903
14mm					⑫	400-57375	⑱	400-49904
16mm	②	400-27366	⑥	400-33806	⑬	400-57376	⑲	400-49905
18mm					⑭	400-57377	⑳	400-49906
20mm								
2 2, 2 4, 2 6 mm	③	400-27367	⑦	400-71730				
2 8, 3 0, 32mm	④	400-27368	⑧	400-71731				


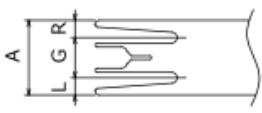
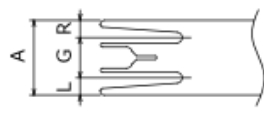
Needle gauge	Automatic interlining feeder	
針 幅	芯地自動供給	
		
mm	Ref.No.	Part No.
8mm	⑳	400-49914
10mm		
12mm	㉑	400-49915
14mm	㉒	400-49916
16mm	㉓	400-49917
18mm	㉔	400-49918
20mm	㉕	400-49919

Needle gauge	Corner knife	
針 幅	コーナーメス	
		
mm	Ref.No.	Part No.
8, 1 0, 1 2, 14mm	㉖	166-07301
	㉗	166-07400
1 6, 1 8, 20mm	㉘	166-07509
	㉙	166-07608
2 2, 2 4, 26mm	㉚	166-07707
	㉛	166-07806
2 8, 3 0, 32mm	㉜	166-07905
	㉝	166-08002

No.	品番	品名	備考	子部品	消耗品	個数
1	40026357	SEWING_TABLE_UNIT_8_14				1.00
2	40027366	SEWING_TABLE_UNIT_16_20				1.00
3	40027367	SEWNING_TABLE_UNIT_22_26				1.00
4	40027368	SEWNING_TABLE_UNIT_28_32				1.00
5	40027131	SEWING_TABLE_UNIT_PAVING_8_14				1.00
6	40033806	SEWING_TABLE_UNIT_PAVING_16_20				1.00
7	40071730	SEWNING_TABLE_UNIT_PAVING_22_26				1.00
8	40071731	SEWNING_TABLE_UNIT_PAVING_28_32				1.00
9	40057372	SEWING_TABLE_VACUUM_SEPARATE_8				1.00
10	40057373	SEWING_TABLE_VACUUM_SEPARATE_12				1.00
11	40057374	SEWING_TABLE_VACUUM_SEPARATE_14				1.00
12	40057375	SEWING_TABLE_VACUUM_SEPARATE_16				1.00
13	40057376	SEWING_TABLE_VACUUM_SEPARATE_18				1.00
14	40057377	SEWING_TABLE_VACUUM_SEPARATE_20				1.00
15	40049901	SEWNING_TABLE_VACUUM_10				1.00
16	40049902	SEWNING_TABLE_VACUUM_12				1.00
17	40049903	SEWNING_TABLE_VACUUM_14				1.00
18	40049904	SEWNING_TABLE_VACUUM_16				1.00
19	40049905	SEWNING_TABLE_VACUUM_18				1.00
20	40049906	SEWNING_TABLE_VACUUM_20				1.00
21	40049914	SEWING_TABLE_UNIT_INTER_8_10				1.00
22	40049915	SEWING_TABLE_UNIT_INTER_12				1.00
23	40049916	SEWING_TABLE_UNIT_INTER_14				1.00
24	40049917	SEWING_TABLE_UNIT_INTER_16				1.00
25	40049918	SEWING_TABLE_UNIT_INTER_18				1.00
26	40049919	SEWING_TABLE_UNIT_INTER_20				1.00
27	16607301	CORNER KNIFE A1				1.00
28	16607400	CORNER KNIFE A2				1.00
29	16607509	CORNER KNIFE (B-1)				1.00
30	16607608	CORNER KNIFE (B-2)				1.00
31	16607707	CORNER KNIFE (C-1)				1.00
32	16607806	CORNER KNIFE (C-2)				1.00
33	16607905	CORNER KNIFE (D-1)				1.00
34	16608002	CORNER KNIFE (D-2)				1.00

# GAUGE COMPONENTS (3)

Needle gauge 針 幅	Double welt patch plate 両玉定規					Single welt patch plate(for both-side) 片玉定規(両流し)				
										
mm	Ref.No.	Part No.	L	R	A	Ref.No.	Part No.	L	R	A
8mm	①	400-35330	3.3	3.3	14.6	⑬	400-35342	7.3	7.3	22.6
10mm	③	400-26627	4.3	4.3	18.6	⑮	400-27365	9.3	9.3	28.6
12mm	⑤	400-35331	5.3	5.3	22.6	⑰	400-35343	11.3	11.3	34.6
14mm	⑥	400-35332	6.3	6.3	26.6	⑱	400-35344	13.3	13.3	40.6
16mm	⑦	400-35333	7.3	7.3	30.6	⑲	400-35345	15.3	15.3	46.6
18mm	⑧	400-35334	8.3	8.3	34.6	⑳	400-35346	17.3	17.3	52.6
20mm	⑨	400-35335	9.3	9.3	38.6	㉑	400-35347	19.3	19.3	58.6
22mm	⑩	400-35336	10.3	10.3	42.6	㉒	400-35348	21.3	21.3	64.6
24mm	⑪	400-35337	11.3	11.3	46.6	㉓	400-35349	23.3	23.3	70.6
26mm	⑫	400-35338	12.3	12.3	50.6	㉔	400-35350	25.3	25.3	76.6
28mm	⑬	400-35339	13.3	13.3	54.6	㉕	400-35351	27.3	27.3	82.6
30mm	⑭	400-35340	14.3	14.3	58.6	㉖	400-35352	29.3	29.3	88.6
32mm	⑮	400-35341	15.3	15.3	62.6	㉗	400-35353	31.3	31.3	94.6

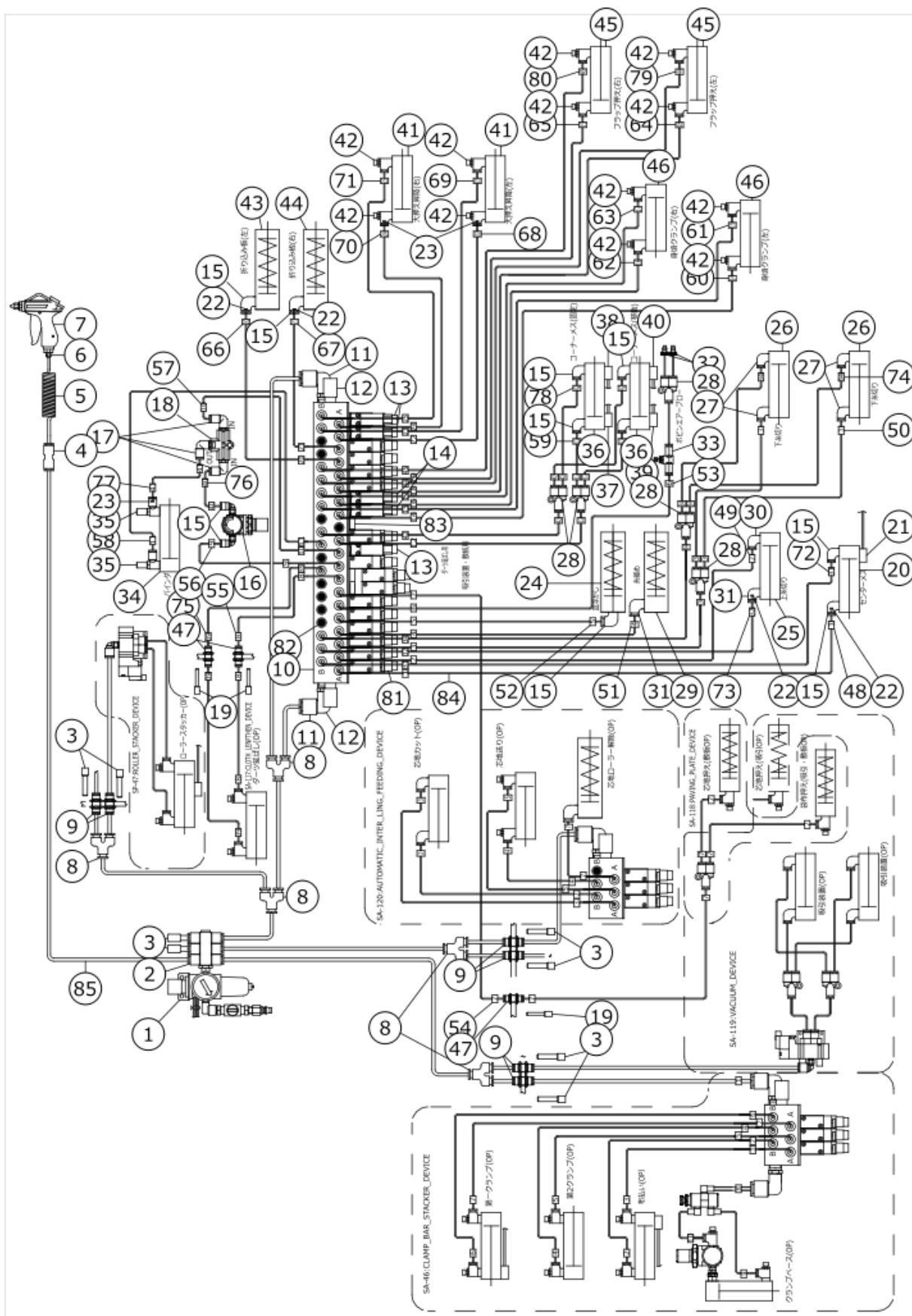
Needle gauge 針 幅	Single welt patch plate(for left) 片玉定規(片流し左)					Single welt patch plate(for right) 片玉定規(片流し右)				
										
mm	Ref.No.	Part No.	L	R	A	Ref.No.	Part No.	L	R	A
8mm	⑲	400-35354	7.3	3.3	18.6	㉘	400-35368	3.3	7.3	18.6
10mm	⑳	400-35355	9.3	4.3	23.6	㉙	400-35369	4.3	9.3	23.6
12mm	㉑	400-35356	11.3	5.3	28.6	㉚	400-35370	5.3	11.3	28.6
14mm	㉒	400-35357	13.3	6.3	33.6	㉛	400-35371	6.3	13.3	33.6
16mm	㉓	400-35358	15.3	7.3	38.6	㉜	400-35372	7.3	15.3	38.6
18mm	㉔	400-35359	17.3	8.3	43.6	㉝	400-35373	8.3	17.3	43.6
20mm	㉕	400-35361	19.3	9.3	48.6	㉞	400-35374	9.3	19.3	48.6
22mm	㉖	400-35362	21.3	10.3	53.6	㉟	400-35375	10.3	21.3	53.6
24mm	㉗	400-35363	23.3	11.3	58.6	㊱	400-35376	11.3	23.3	58.6
26mm	㉘	400-35364	25.3	12.3	63.6	㊲	400-35377	12.3	25.3	63.6
28mm	㉙	400-35365	27.3	13.3	68.6	㊳	400-35378	13.3	27.3	68.6
30mm	㉚	400-35366	29.3	14.3	73.6	㊴	400-35379	14.3	29.3	73.6
32mm	㉛	400-35367	31.3	15.3	78.6	㊵	400-35380	15.3	31.3	78.6



No.	品番	品名	備考	子部品	消耗品	個数
1	40035330	WELT_PATCH_PLATE_8G_W				1.00
2	40035381	WELT_PATCH_PLATE_10G_WH				1.00
3	40026627	WELT_PATCH_PLATE_10G_W				1.00
4	40035382	WELT_PATCH_PLATE_12G_WH				1.00
5	40035331	WELT_PATCH_PLATE_12G_W				1.00
6	40035332	WELT_PATCH_PLATE_14G_W				1.00
7	40035333	WELT_PATCH_PLATE_16G_W				1.00
8	40035334	WELT_PATCH_PLATE_18G_W				1.00
9	40035335	WELT_PATCH_PLATE_20G_W				1.00
10	40035336	WELT_PATCH_PLATE_22G_W				1.00
11	40035337	WELT_PATCH_PLATE_24G_W				1.00
12	40035338	WELT_PATCH_PLATE_26G_W				1.00
13	40035339	WELT_PATCH_PLATE_28G_W				1.00
14	40035340	WELT_PATCH_PLATE_30G_W				1.00
15	40035341	WELT_PATCH_PLATE_32G_W				1.00
16	40035342	WELT_PATCH_PLATE_8G_SB				1.00
17	40027365	WELT_PATCH_PLATE_10G_W				1.00
18	40035343	WELT_PATCH_PLATE_12G_SB				1.00
19	40035344	WELT_PATCH_PLATE_14G_SB				1.00
20	40035345	WELT_PATCH_PLATE_16G_SB				1.00
21	40035346	WELT_PATCH_PLATE_18G_SB				1.00
22	40035347	WELT_PATCH_PLATE_20G_SB				1.00
23	40035348	WELT_PATCH_PLATE_22G_SB				1.00
24	40035349	WELT_PATCH_PLATE_24G_SB				1.00
25	40035350	WELT_PATCH_PLATE_26G_SB				1.00
26	40035351	WELT_PATCH_PLATE_28G_SB				1.00
27	40035352	WELT_PATCH_PLATE_30G_SB				1.00
28	40035353	WELT_PATCH_PLATE_32G_SB				1.00
29	40035354	WELT_PATCH_PLATE_8G_SL				1.00
30	40035355	WELT_PATCH_PLATE_10G_SL				1.00
31	40035356	WELT_PATCH_PLATE_12G_SL				1.00
32	40035357	WELT_PATCH_PLATE_14G_SL				1.00
33	40035358	WELT_PATCH_PLATE_16G_SL				1.00
34	40035359	WELT_PATCH_PLATE_18G_SL				1.00
35	40035361	WELT_PATCH_PLATE_20G_SL				1.00
36	40035362	WELT_PATCH_PLATE_22G_SL				1.00
37	40035363	WELT_PATCH_PLATE_24G_SL				1.00
38	40035364	WELT_PATCH_PLATE_26G_SL				1.00
39	40035365	WELT_PATCH_PLATE_28G_SL				1.00
40	40035366	WELT_PATCH_PLATE_30G_SL				1.00
41	40035367	WELT_PATCH_PLATE_32G_SL				1.00
42	40035368	WELT_PATCH_PLATE_8G_SR				1.00
43	40035369	WELT_PATCH_PLATE_10G_SR				1.00
44	40035370	WELT_PATCH_PLATE_12G_SR				1.00
45	40035371	WELT_PATCH_PLATE_14G_SR				1.00
46	40035372	WELT_PATCH_PLATE_16G_SR				1.00
47	40035373	WELT_PATCH_PLATE_18G_SR				1.00
48	40035374	WELT_PATCH_PLATE_20G_SR				1.00
49	40035375	WELT_PATCH_PLATE_22G_SR				1.00
50	40035376	WELT_PATCH_PLATE_24G_SR				1.00

51	40035377	WELT_PATCH_PLATE_26G_SR				1.00
52	40035378	WELT_PATCH_PLATE_28G_SR				1.00
53	40035379	WELT_PATCH_PLATE_30G_SR				1.00
54	40035380	WELT_PATCH_PLATE_32G_SR				1.00

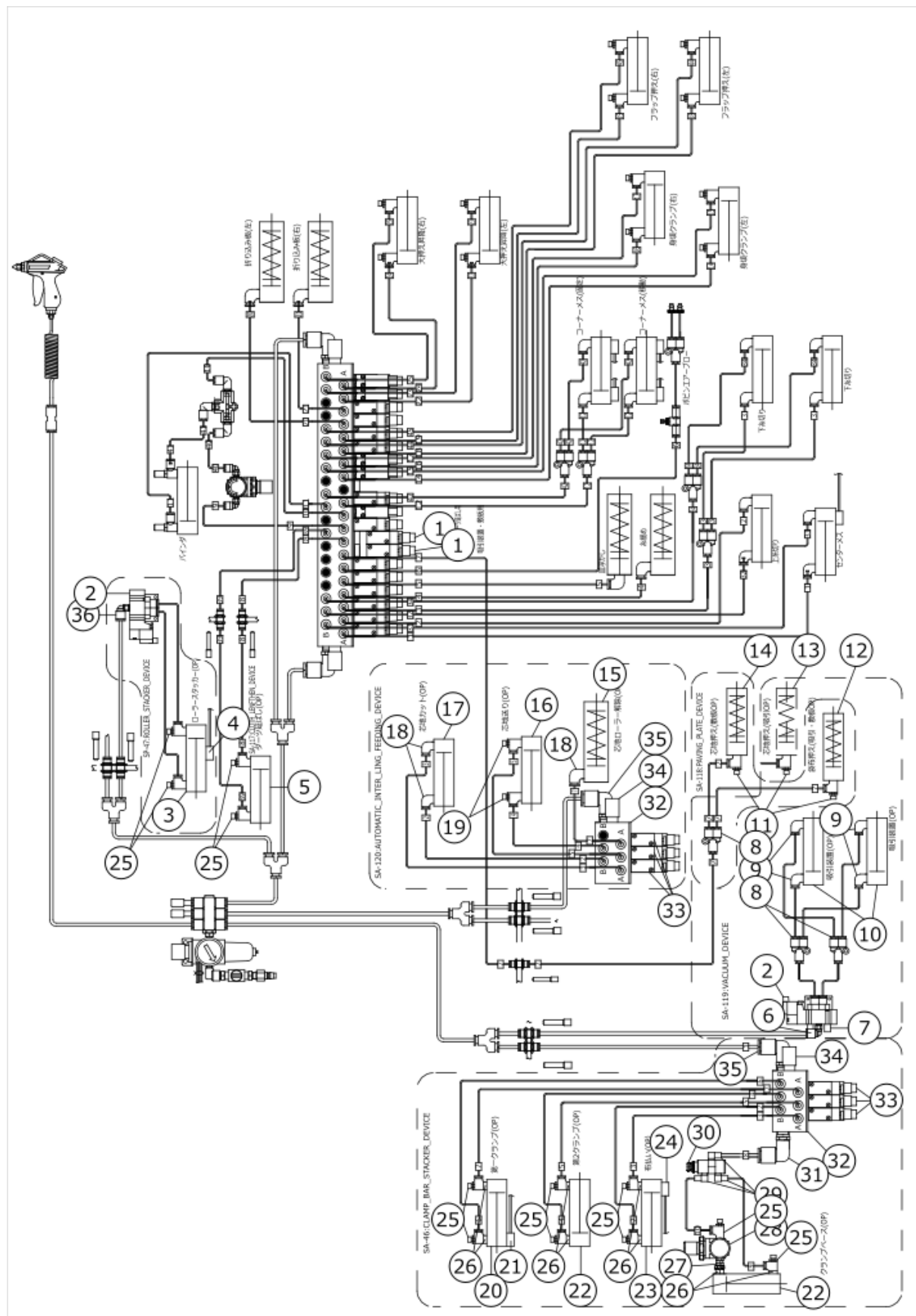
# PNEUMATIC CIRCUIT DIAGRAM (1)



No.	品番	品名	備考	子部品	消耗品	個数
1	G56042540A0	FILTER REGULATOR ASM.				1.00
2	PJ309065201	TRIPLE BRANCH UNIVERSAL ELBOW				1.00
3	PX950001000	PLUG				8.00
4	PJ303060001	STRAIGHT UNION				1.00
5	G5458116000	CURLED TUBE				1.00
6	PJ301065201	HALF UNION 6XPT1/4				1.00
7	40044823	AIR_GUN				1.00
8	PJ308060003	Y UNION				5.00
9	PJ230006200	UNION				6.00
10	40035097	MANIFOLD_VALVE_ASSY				1.00
11	PJ304065101	ELBOW UNION 6XPT1/8				2.00
12	PX055104000	SILENCER (PT1/8)				4.00
13	PV150106000	5-PORT SOLENOID VALVE				3.00
14	PV150105000	5-PORT SOLENOID VALVE				2.00
15	PJ304040504	ELBOW UNION				11.00
16	PF0205010C0	AIR REGULATOR				1.00
17	PJ304045102	ELBOW UNION C				3.00
18	PV205101000	SHUTTLE VALVE				1.00
19	PX500014000	PLUG				3.00
20	PA1602012A0	AIR CYLINDER				1.00
21	40044626	AIRCYLINDER SENSOR CN79A				1.00
22	PC022403F00	INSERT RING				4.00
23	PC022403E00	INSERT RING				3.00
24	PA1000512A0	AIR CYLINDER				1.00
25	PA1604005B0	ARI CYLINDER				1.00
26	PA1001521A0	ARI CYLINDER				2.00
27	PJ046052503	HOSE ELBOW				4.00
28	PJ308040002	QUICK COUPLING				5.00
29	PA1002506A0	CYLINDER				1.00
30	PJ304040501	ELBOW UNION 4XM5				1.00
31	PJ304040506	ELBOW UNION				2.00
32	PJ032039001	CONNECTOR				2.00
33	PC012406000	SPEED CONTROLLER				1.00
34	PA2005016A0	AIR CYLINDER				1.00
35	PC010523000	SPEED CONTROLLER				2.00
36	PA1610004B0	AIR CYLINDER				2.00
37	40044627	AIRCYLINDER SENSOR CN79B				1.00
38	40044628	AIRCYLINDER SENSOR CN80B				1.00
39	40044629	AIRCYLINDER SENSOR CN81B				1.00
40	40044630	AIRCYLINDER SENSOR CN82B				1.00
41	PA2001701A0	AIR CYLINDER				2.00
42	PC010508000	SPEED CONTROLLER				12.00
43	40044841	FOLDING_PLATE_CYLINDER_L				1.00
44	40035101	FOLDING_PLATE_CYLINDER_R				1.00
45	PA1202501A0	AIR CYLINDER				2.00
46	PA1603503A0	AIR CYLINDER				2.00
47	PJ230004200	UNION				3.00
48	18035006	CABLE MARK NO.1				2.00
49	18035105	WIRE MARK (2)				2.00
50	18035204	WIRE MARK (3)				6.00

51	18035303	WIRE MARK (4)				2.00
52	18035402	WIRE MARK (5)				2.00
53	18035501	WIRE MARK (6)				2.00
54	18035600	WIRE MARK (7)				1.00
55	18035709	WIRE MARK (8)				2.00
56	18035808	WIRE MARK (9)				2.00
57	18035907	WIRE MARK (10)				2.00
58	18036004	WIRE MARK (11)				2.00
59	18036103	WIRE MARK (12)				6.00
60	18036301	WIRE MARK (14)				2.00
61	18036400	WIRE MARK (15)				2.00
62	18036509	WIRE MARK (16)				2.00
63	18036608	WIRE MARK (17)				2.00
64	18036707	WIRE MARK (18)				2.00
65	18036806	WIRE MARK (19)				2.00
66	18036905	WIRE MARK (20)				2.00
67	18037002	WIRE MARK (21)				2.00
68	18037101	WIRE MARK (22)				2.00
69	18037200	WIRE MARK (23)				2.00
70	18037309	WIRE MARK (24)				2.00
71	18037408	WIRE MARK (25)				2.00
72	18038000	WIRE MARK (31)				2.00
73	18038109	WIRE MARK (32)				2.00
74	18038307	WIRE MARK (34)				6.00
75	18038802	WIRE MARK (39)				2.00
76	18038901	WIRE MARK (40)				3.00
77	18039008	WIRE MARK (41)				2.00
78	18039107	WIRE MARK (42)				6.00
79	18039305	WIRE MARK (44)				2.00
80	18039404	WIRE MARK (45)				2.00
81	PV150104000	5-PORT SOKENOID VALVE				12.00
82	40044631	AIRCYLINDER SENSOR CN283				9.00
83	PV920004000	BLANKING PLATE ASM.				3.00
84	BT0400251EB	URETHANE HOSE BLACK				1.00
85	BT0600400EC	TUBE HOSE BLUE				1.00

# PNEUMATIC CIRCUIT DIAGRAM (2) (OPTION PARTS)



No.	品番	品名	備考	子部品	消耗品	個数
1	PV150104000	5-PORT SOKENOID VALVE				2.00
2	PV1502060B0	5-PORT SOLENOID VALVE				2.00
3	PA2001006A0	AIR CYLINDER				1.00
4	40044632	AIRCYLINDER SENSOR CN284				1.00
5	PA1609501A0	AIR CYLINDER				1.00
6	PJ304060502	ELBOW UNION 6XM5				1.00
7	PX050501000	SILENCER				2.00
8	PJ308040002	QUICK COUPLING				3.00
9	PJ304040506	ELBOW UNION				4.00
10	PA160100500	AIR CYLINDER				2.00
11	PC010507000	SPEED CONTROLLER				2.00
12	PA1500505A0	AIR CYLINDER				1.00
13	PA1501007A0	PIN CYLINDER				1.00
14	PA160152900	AIR CYLINDER				1.00
15	PA0600505A0	AIR CYLINDER				1.00
16	PA1001017A0	AIR CYLINDER				1.00
17	PA1600802A0	AIR CYLINDER				1.00
18	PJ304040504	ELBOW UNION				3.00
19	PC010508000	SPEED CONTROLLER				2.00
20	PA2505004A0	AIR CYLINDER				1.00
21	40044631	AIRCYLINDER SENSOR CN283				1.00
22	PA2511001A0	AIR CYLINDER				2.00
23	PA2016001A0	AIR CYLINDER				1.00
24	40044631	AIRCYLINDER SENSOR CN283				1.00
25	PC015108000	SPEED CONTROLLER				12.00
26	PJ015105001	BUSHING				8.00
27	PJ030050001	UNIVERSAL NIPPLE				1.00
28	PF0205010A0	REGULATOR				1.00
29	PJ046052503	HOSE ELBOW				3.00
30	PV010502000	AIR VALVE				1.00
31	PJ304045102	ELBOW UNION C				1.00
32	PV035161000	MANIFOLD				2.00
33	PV150104000	5-PORT SOKENOID VALVE				6.00
34	PX055104000	SILENCER (PT1/8)				4.00
35	PJ304065101	ELBOW UNION 6XPT1/8				2.00
36	PJ304040505	ELBOW				1.00





# HOW TO MAKE USE OF THIS PARTS LIST

## 1.Explanation of codes

1)"\*"mark.....means this part is changed from the previous parts book.

As to the details of the change, refer to the "List for information of change".

2)"#01".....refer to "Note" explanation at bottom of page.

## 2.Codes on the "Qty" column

· Each numeral indicates the number of parts required.

· "0.1" and "2.5" indicate the length (in meters) of the respective parts.

3.Parentheses mean that the corresponding part is a subpart that constructs an assembly part.

4.Dotted lines on the Figures indicate assembly parts.

5.As to the parts with marks of "☆"(consumable parts) and "◎"(optional parts)on the respective parts, it is recommended to prepare spares.

## 1."注記"欄の記号説明

1) "\*"印.....前回のパーツブックに比較して今回変更された部品を意味します。

変更内容は、"変更情報リスト"を参照してください。

2) "#01".....ページ下の"注記"の説明を参照してください。

2.数量欄の数字は、個数を表し、0.1、2.5等の数値は、長さ（単位メートル）を表します。

3.数量欄の（ ）は、組部品を構成している子部品であることを意味します。

4.イラストページの-----枠は、組構成であることを意味します。

5.リストページの"☆"（消耗部品）、"◎"（オプション部品）の印がついた部品は、予備を準備しておくことをお奨めします。